

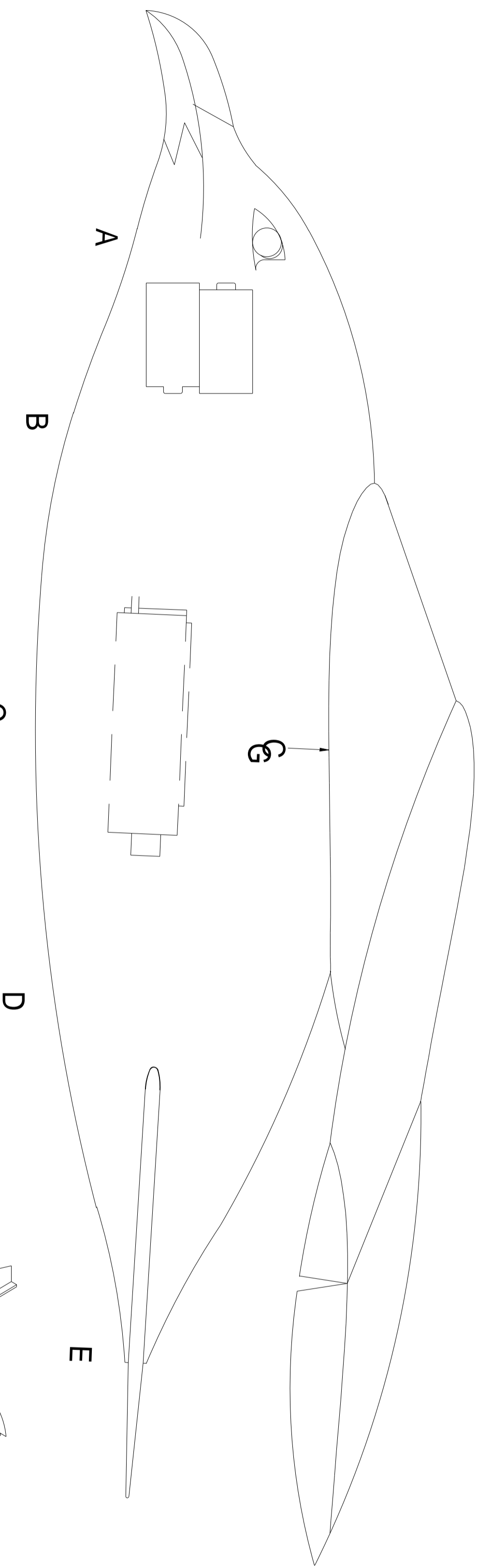
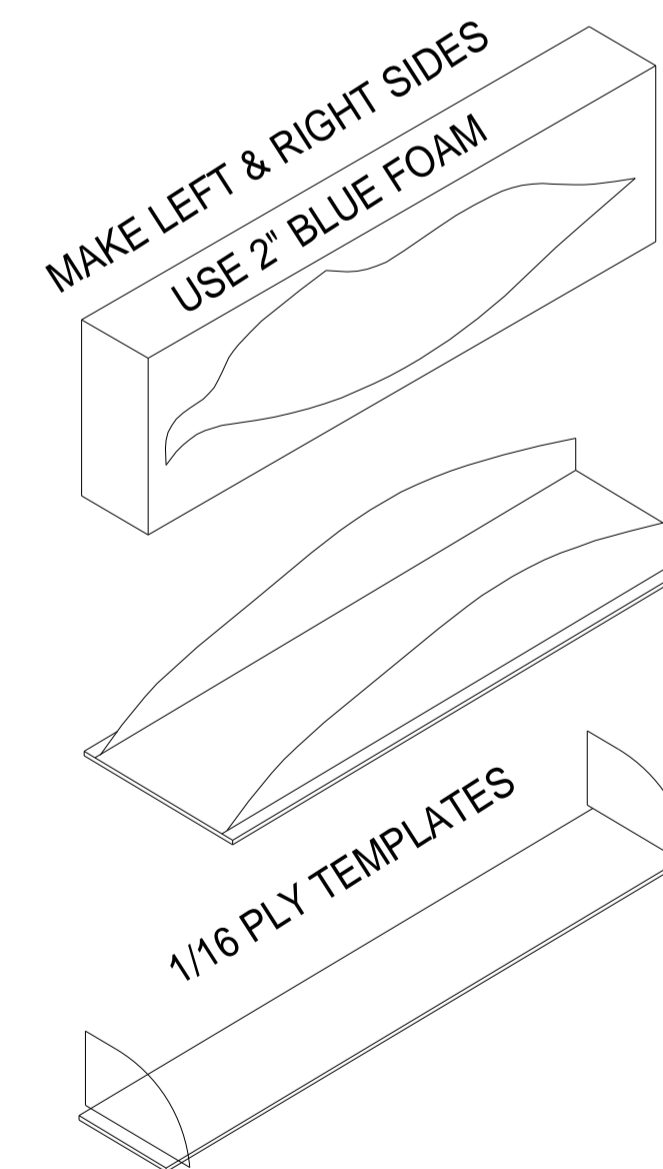
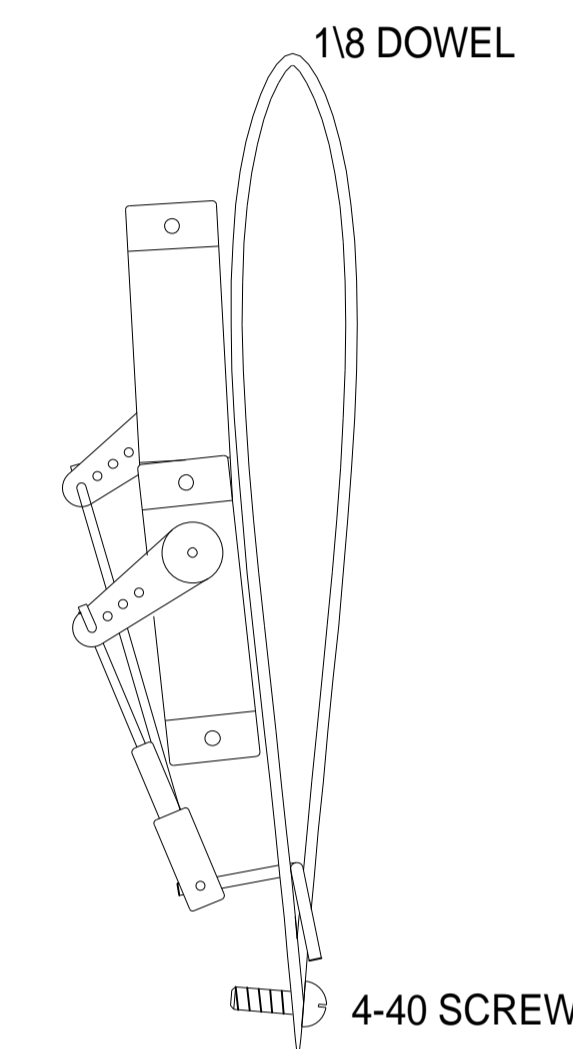
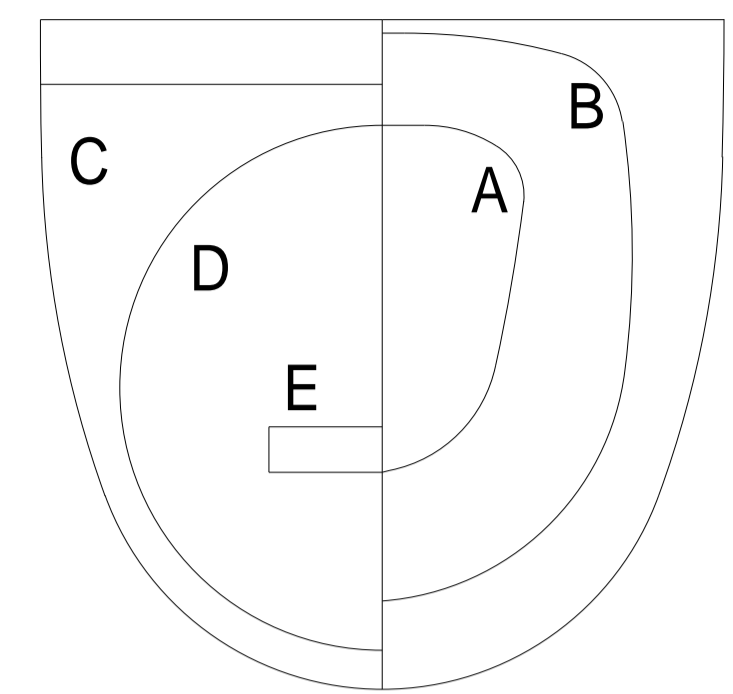
**SPECIFICATIONS**

SPAN	40.7"
LENGTH	16.6"
HEIGHT	3.6"
WINGS	206 sq"
ELEVONS	17.8 sq"
TAIL	11.0 sq"
TIPLETS	2.6 sq"
WEIGHT	16.9 oz
LOADING	11.4 oz sq"
SECTION	E - 168

**REQUIREMENTS**

- 250-500 MA BATT      SMALL - MEDIUM SERVOS      ELEVON MIXING      DUAL RATES      2-3 CHANNELS

Steve Hinderks  
JANUARY 1991



**R** OUR SEA **C**

**Gull**  
Slope Glider