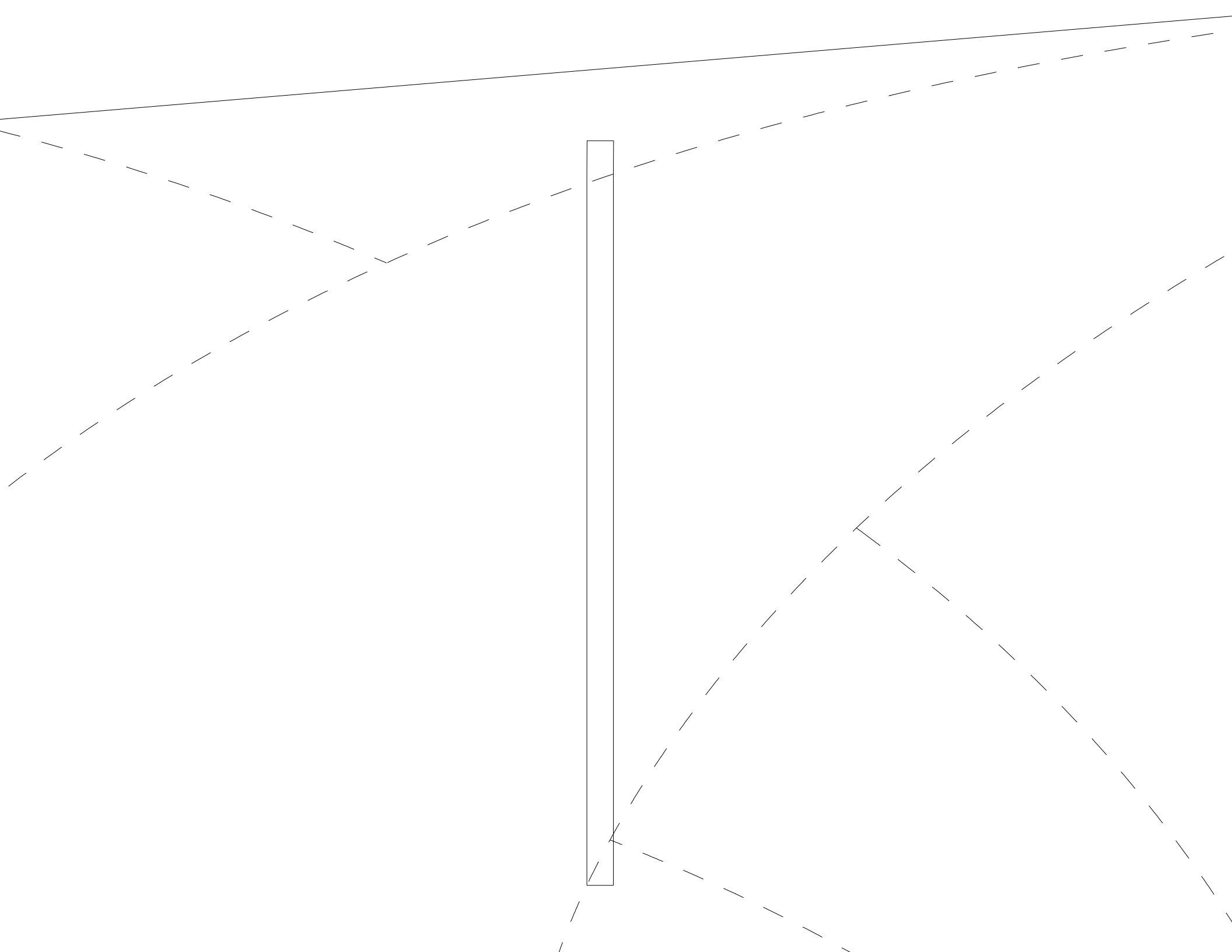
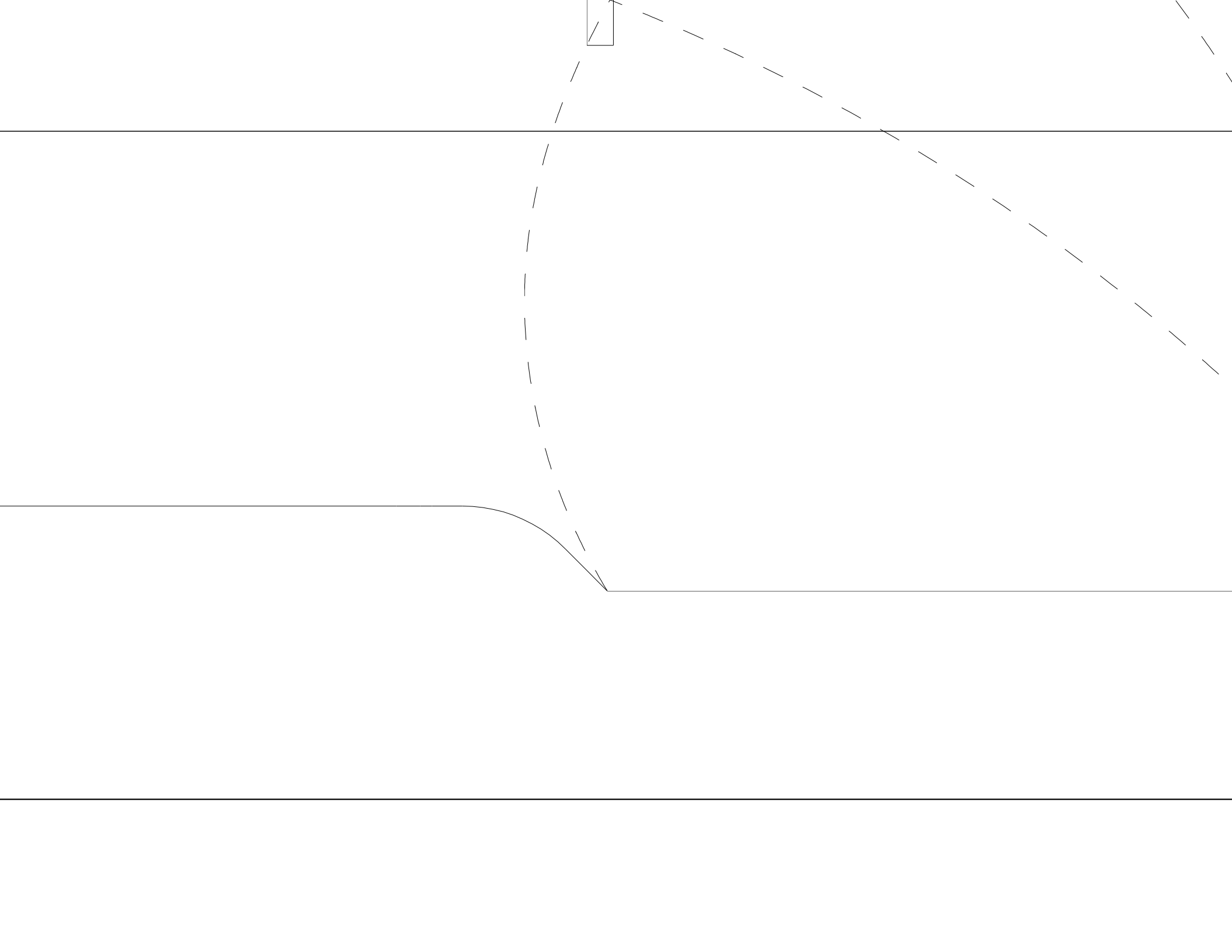
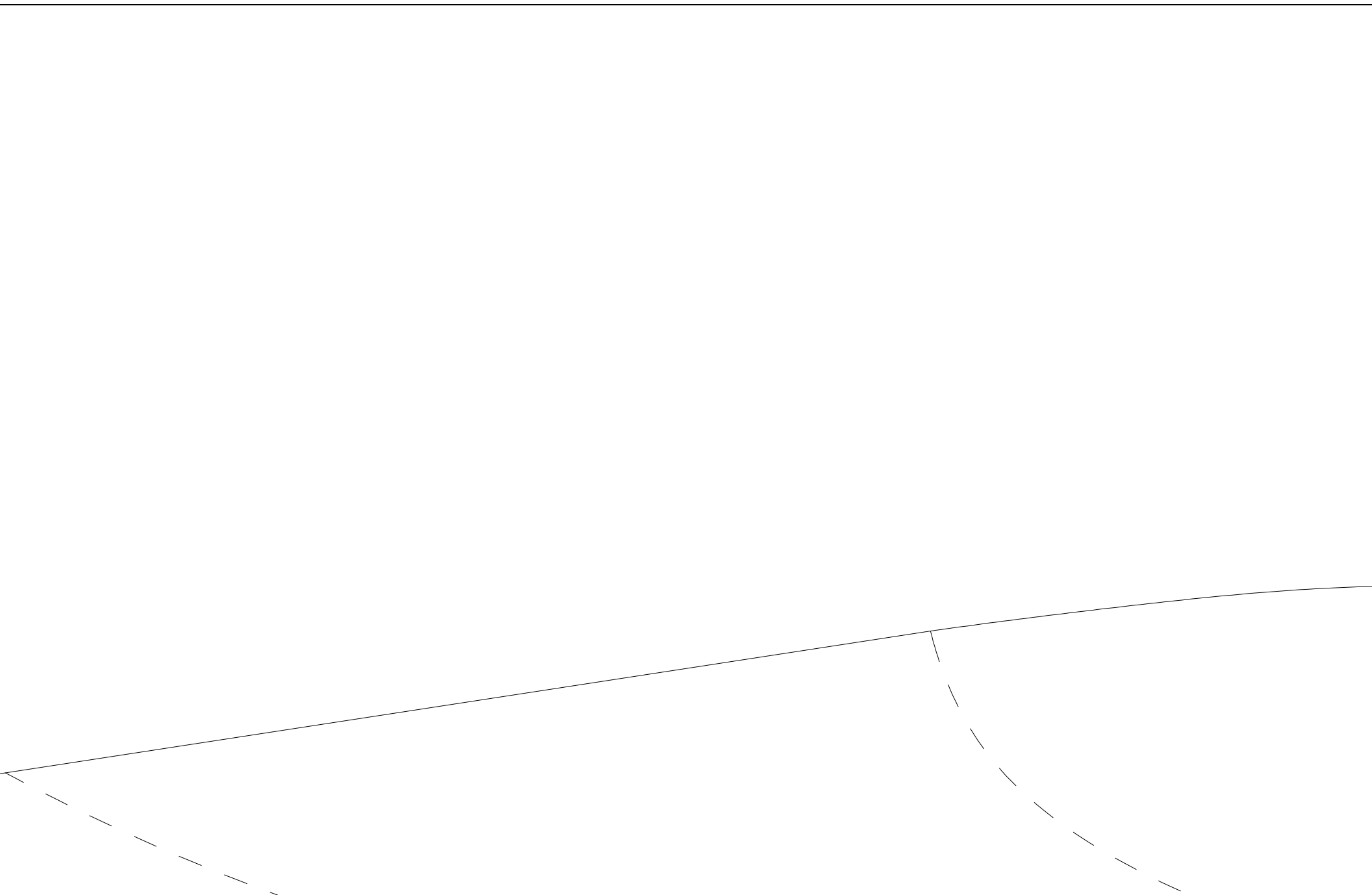
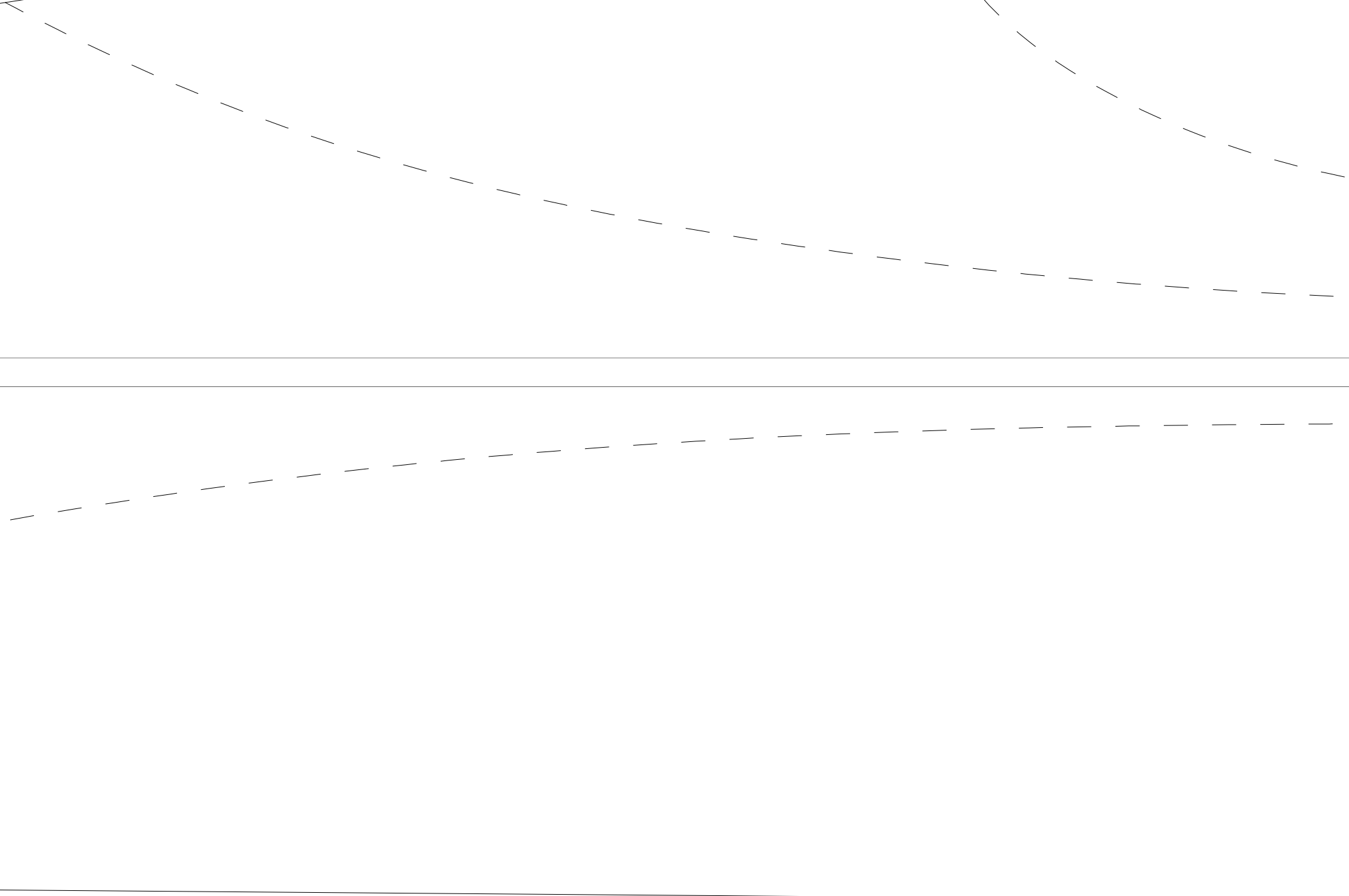


2x Fuse h









1x Fuse

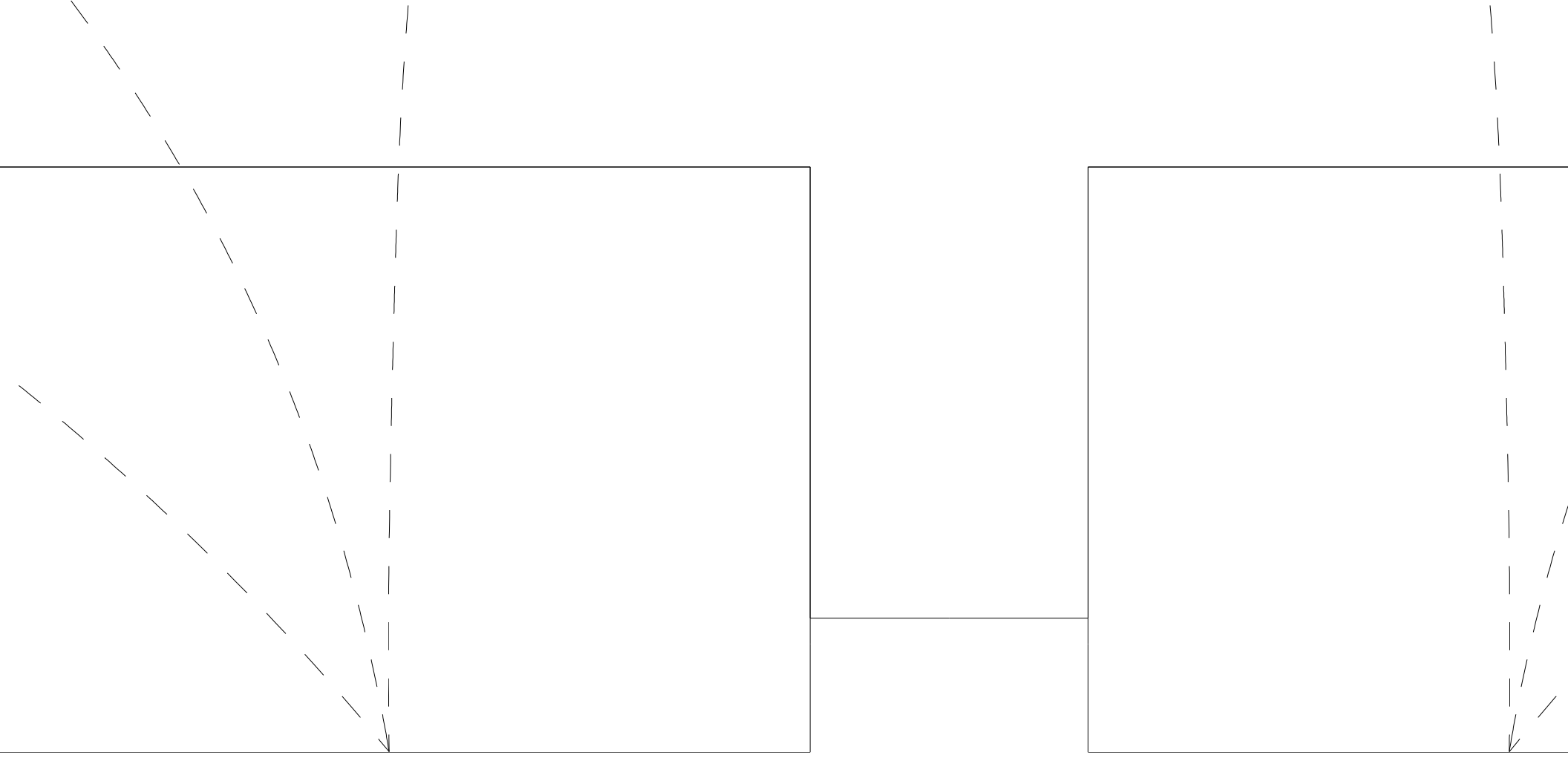
1x Fuse

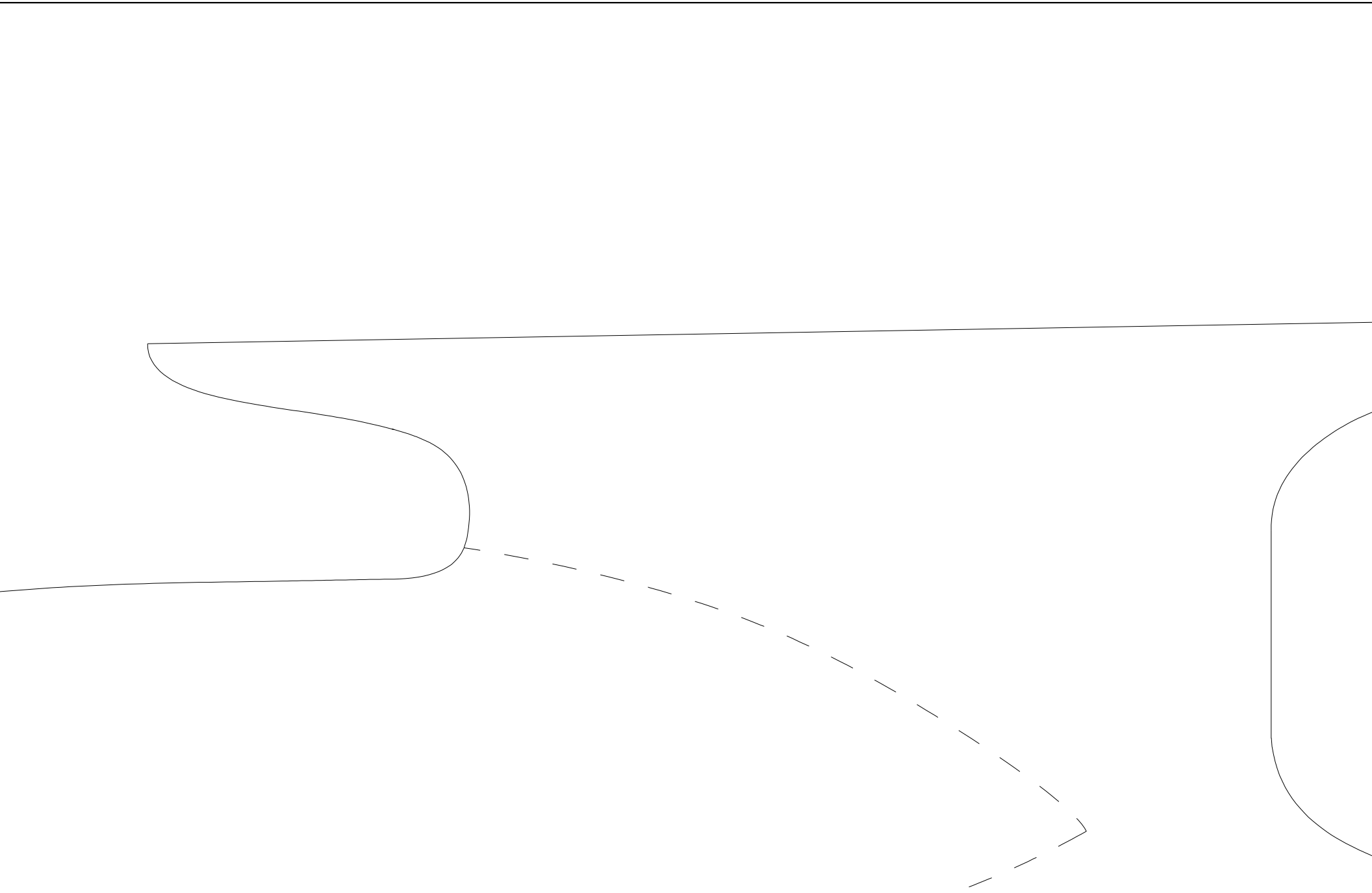
hor. doubler

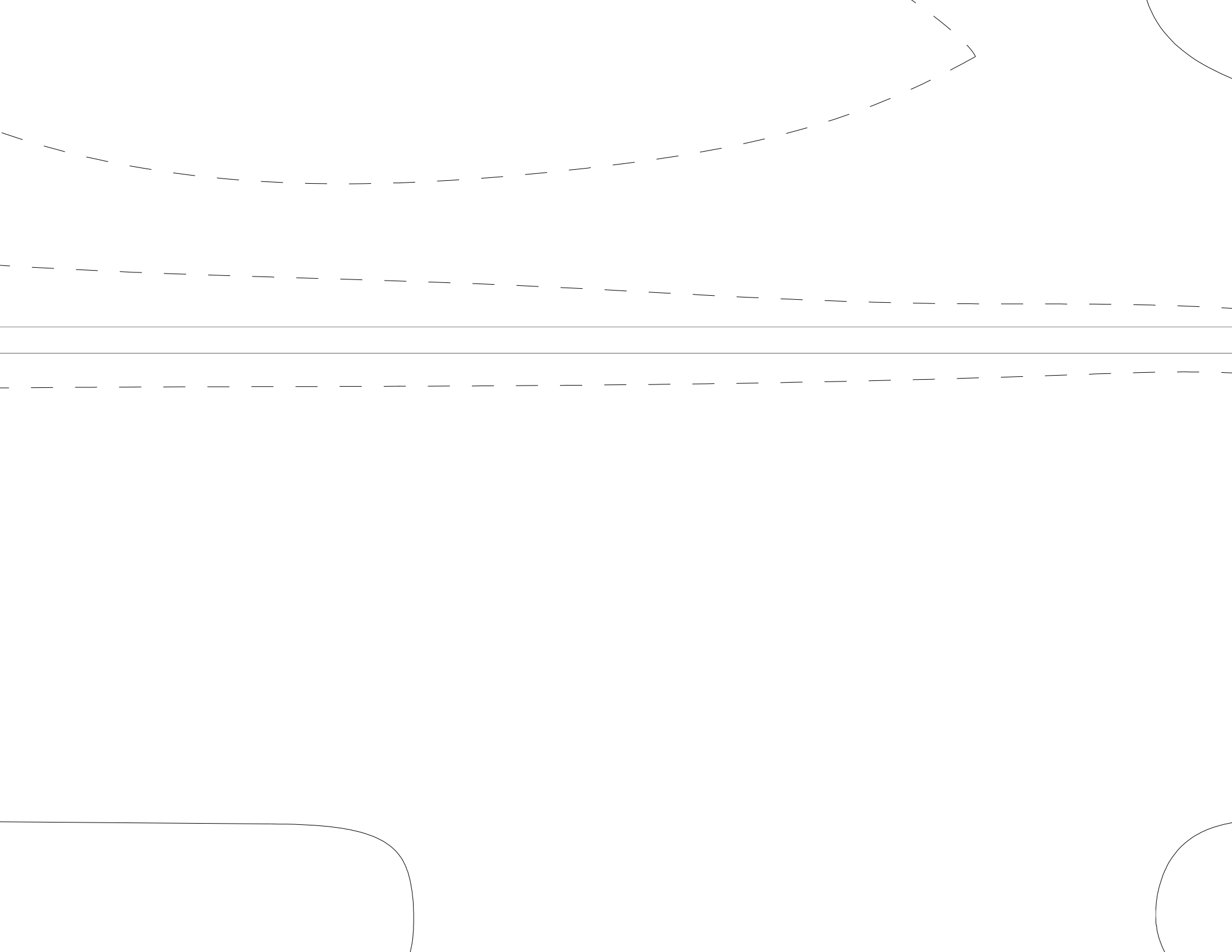




2x Wing

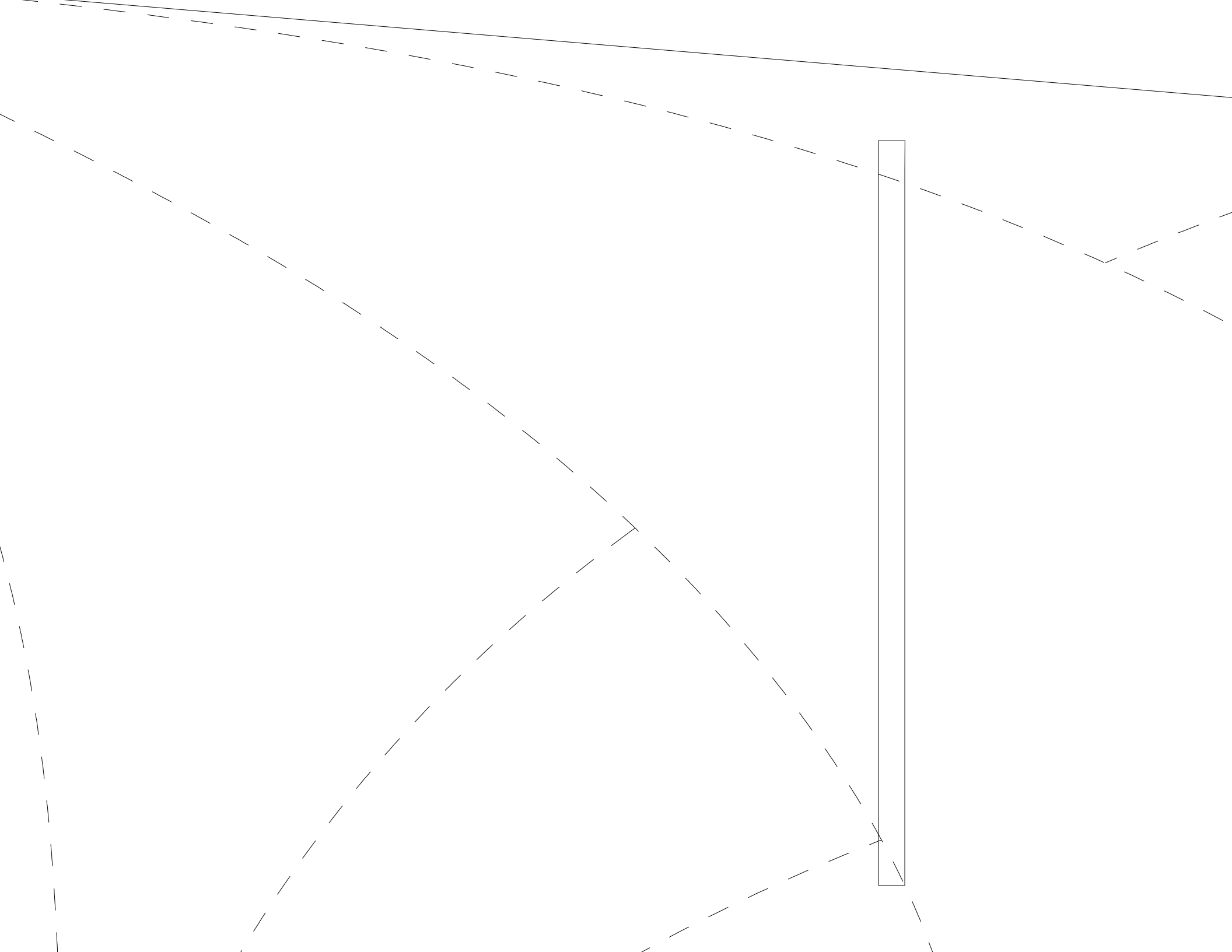


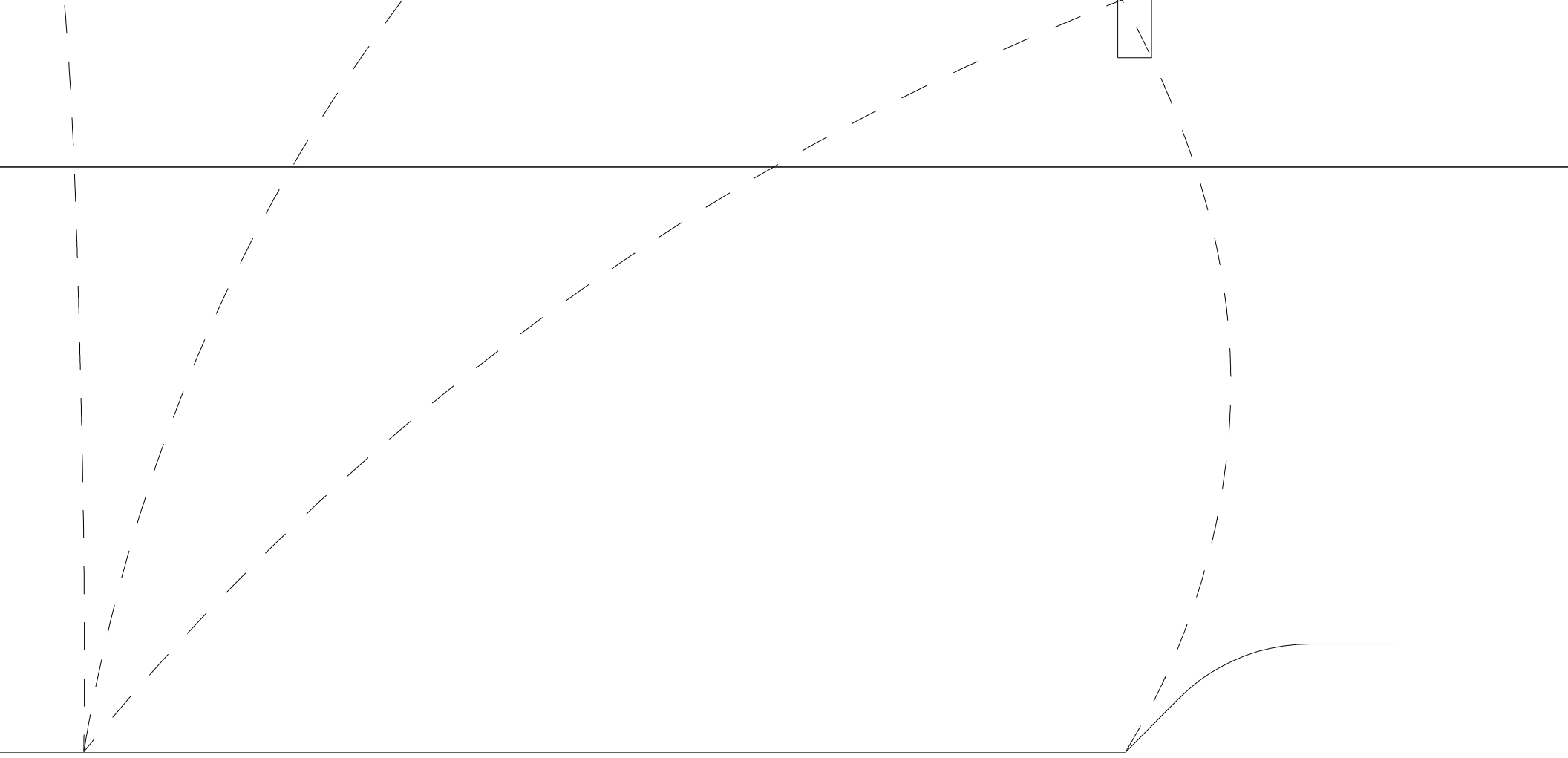


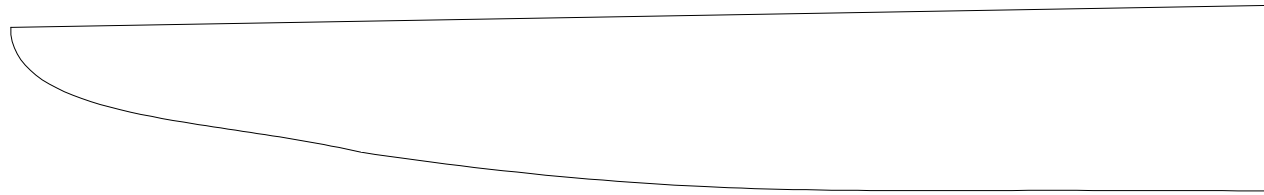
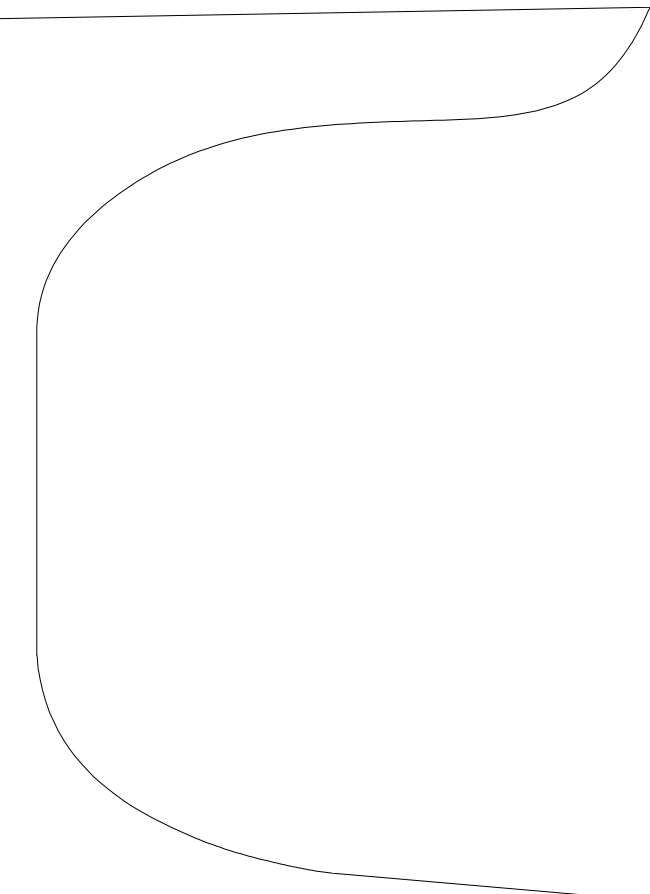


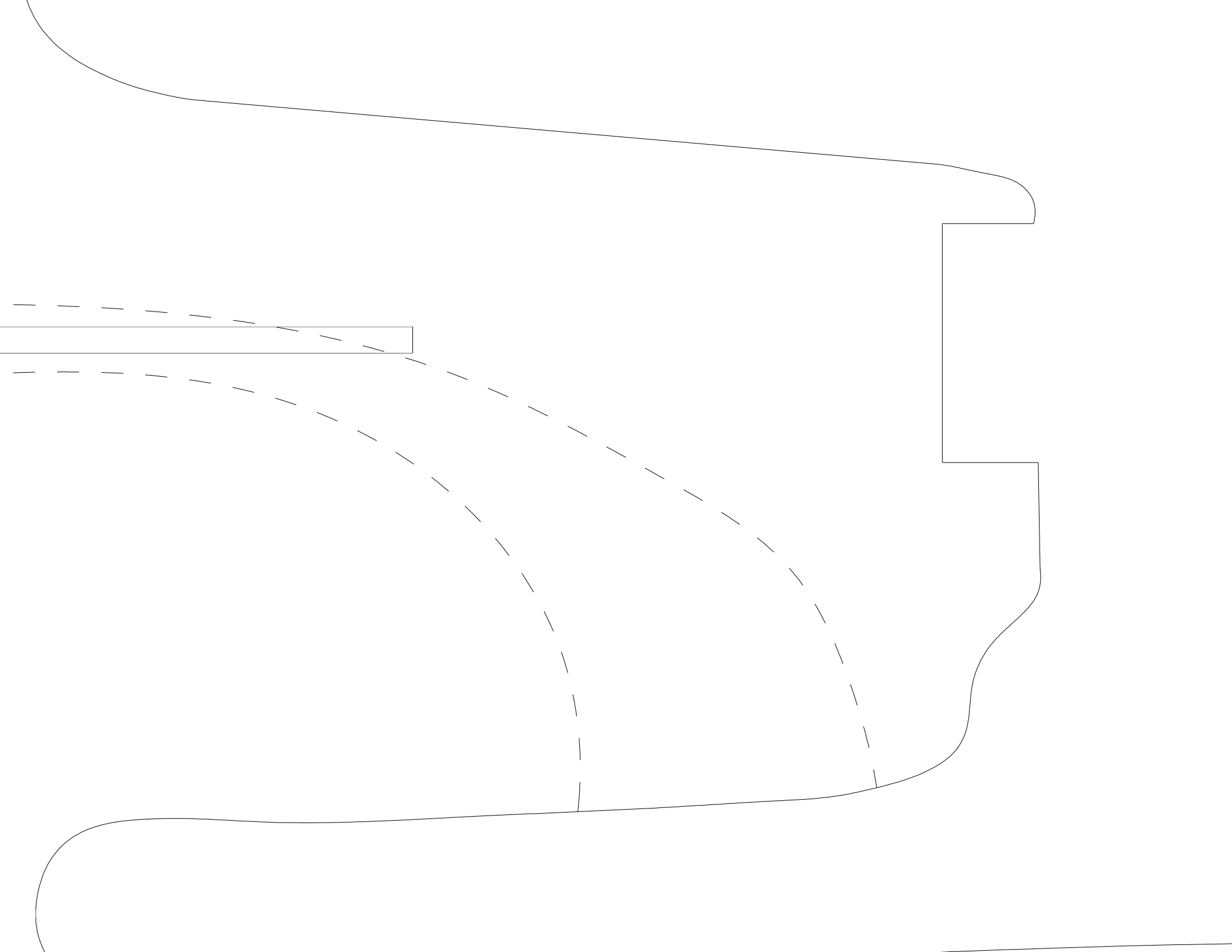
The background features several thin, black, curved lines that sweep across the frame. In the top left, there is a larger, rounded, teardrop-like shape. In the top right, a partial circle is visible. The overall aesthetic is minimalist and modern.

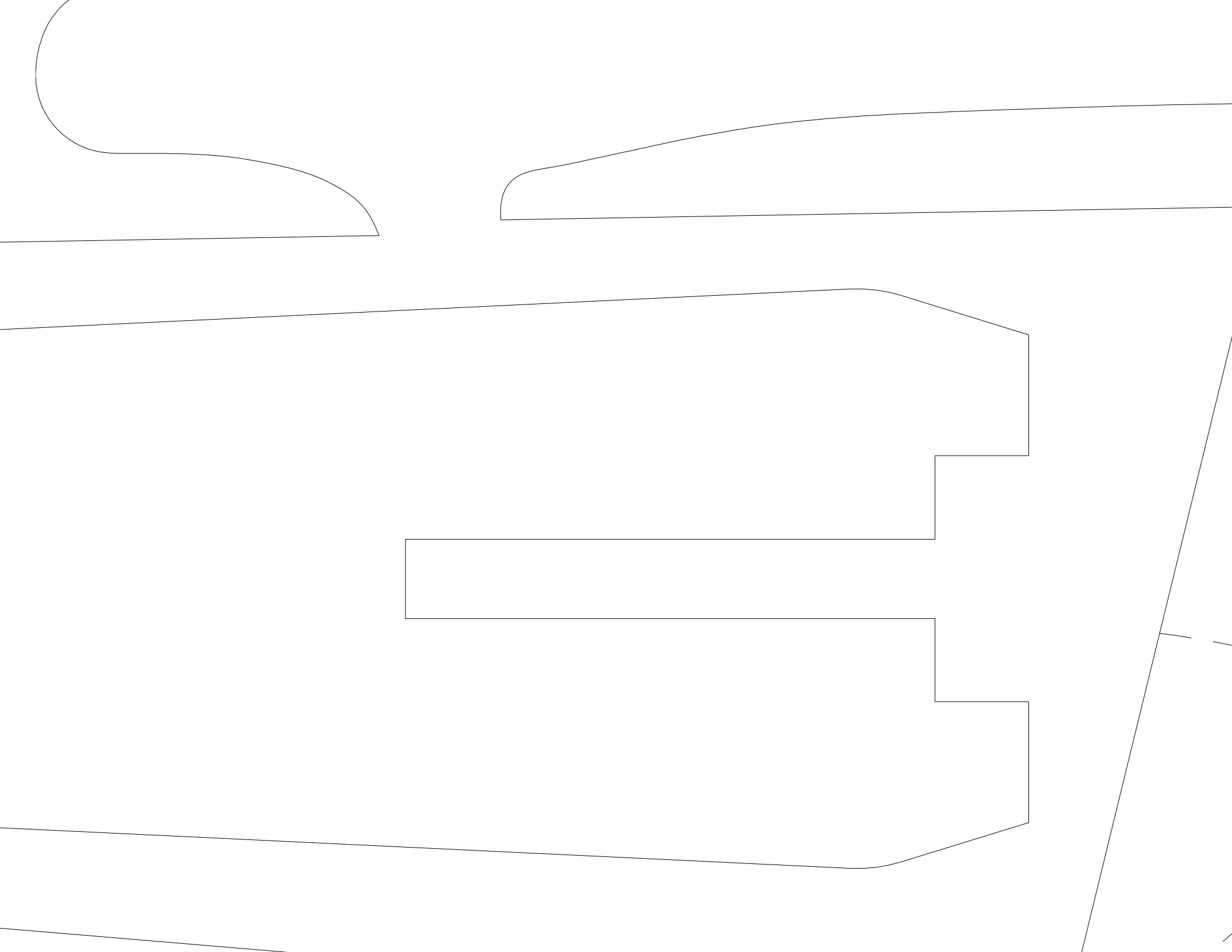
1x Fuse hor.

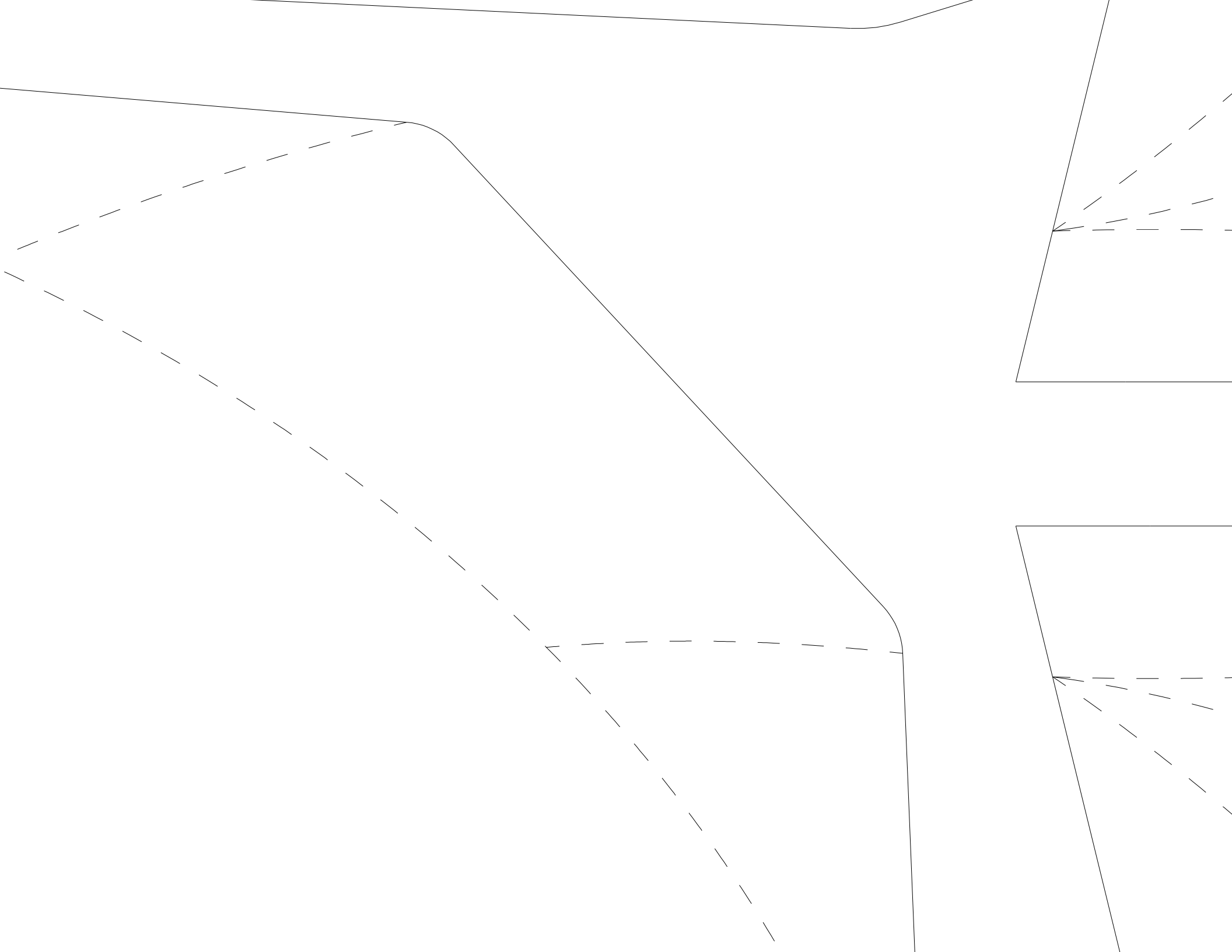




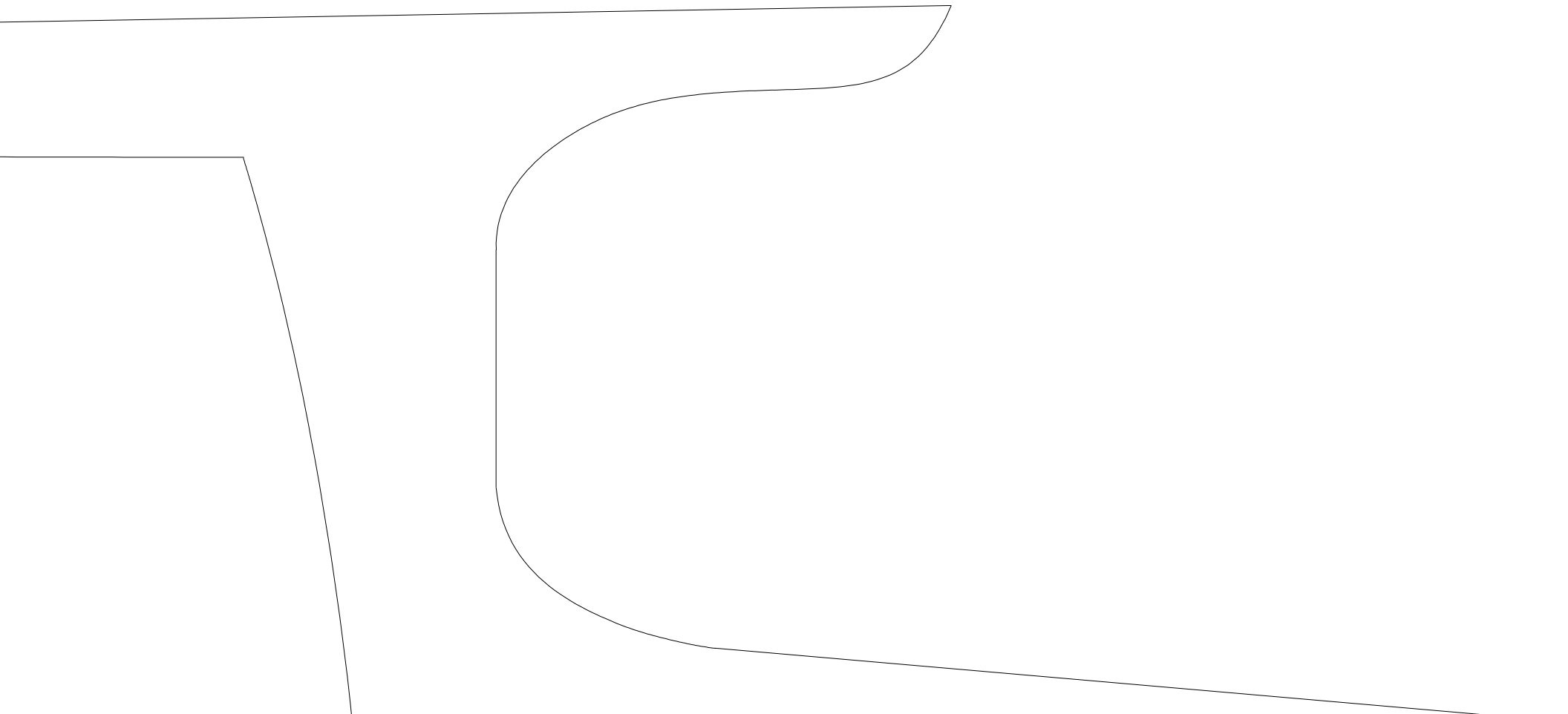


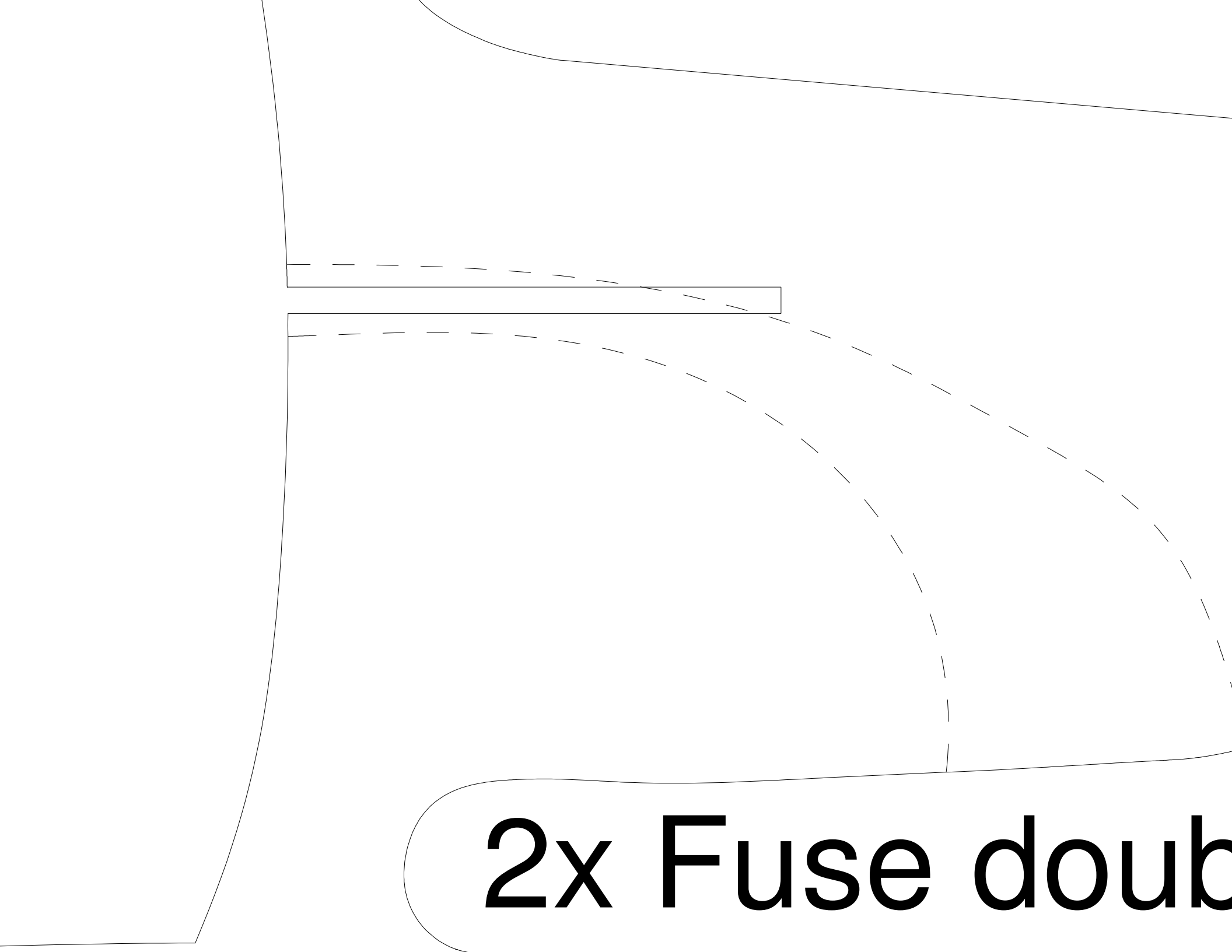






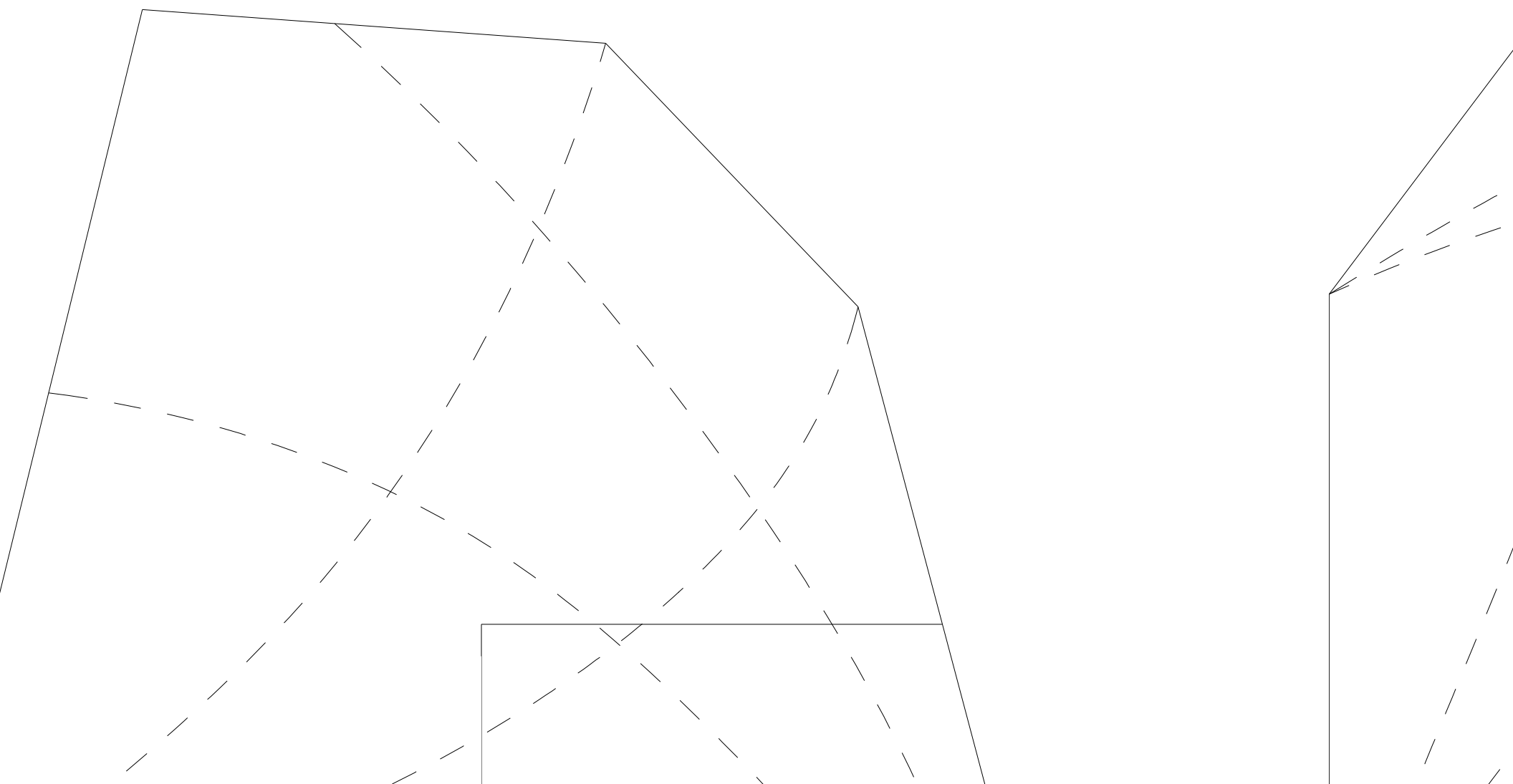


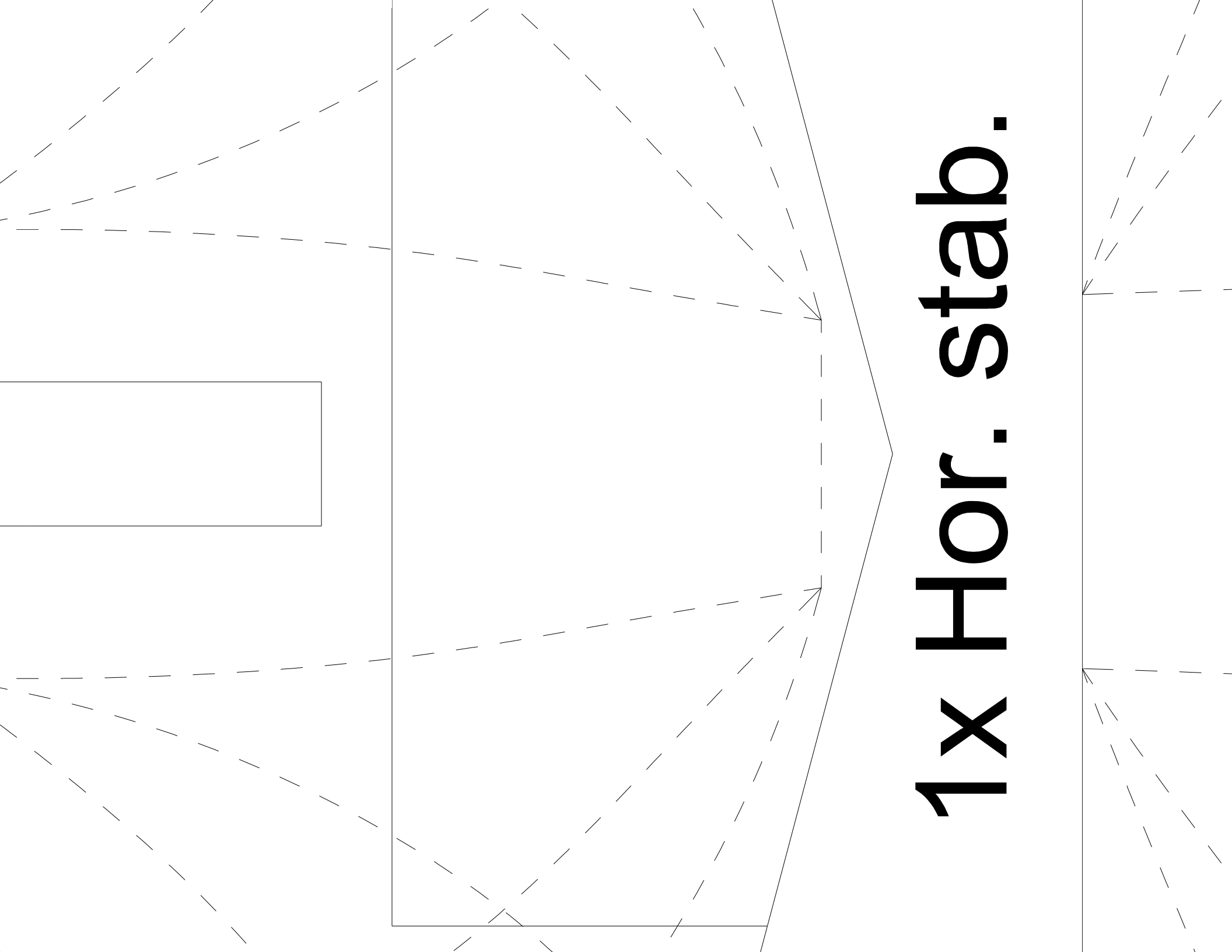




2x Fuse doub

2X Fuse doub



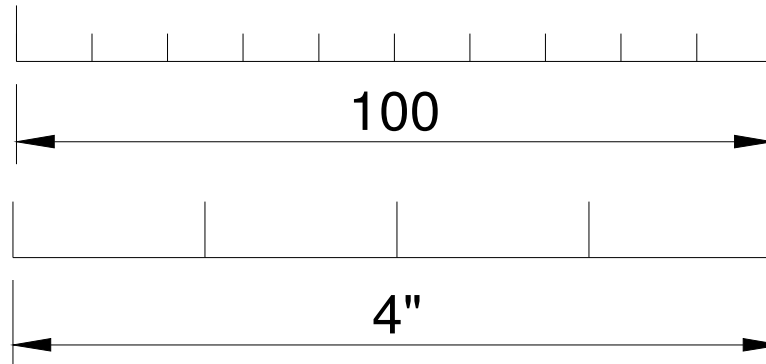


1x Hor. stab.



www.RCplans.nl

Page size: DIN A0
(1189x841mm)



44" Monster Tensor

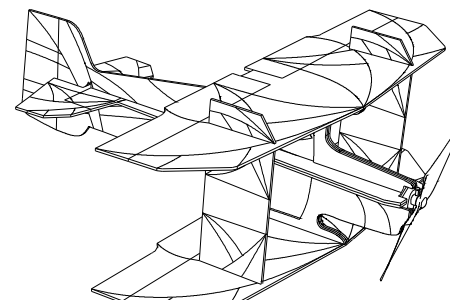
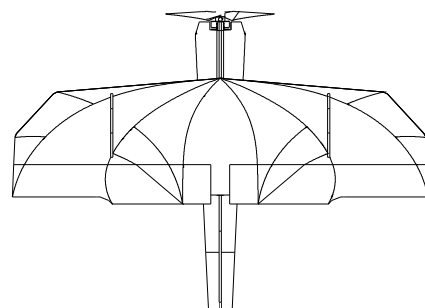
Based on the Micro-Tensor by Joe Malinchak

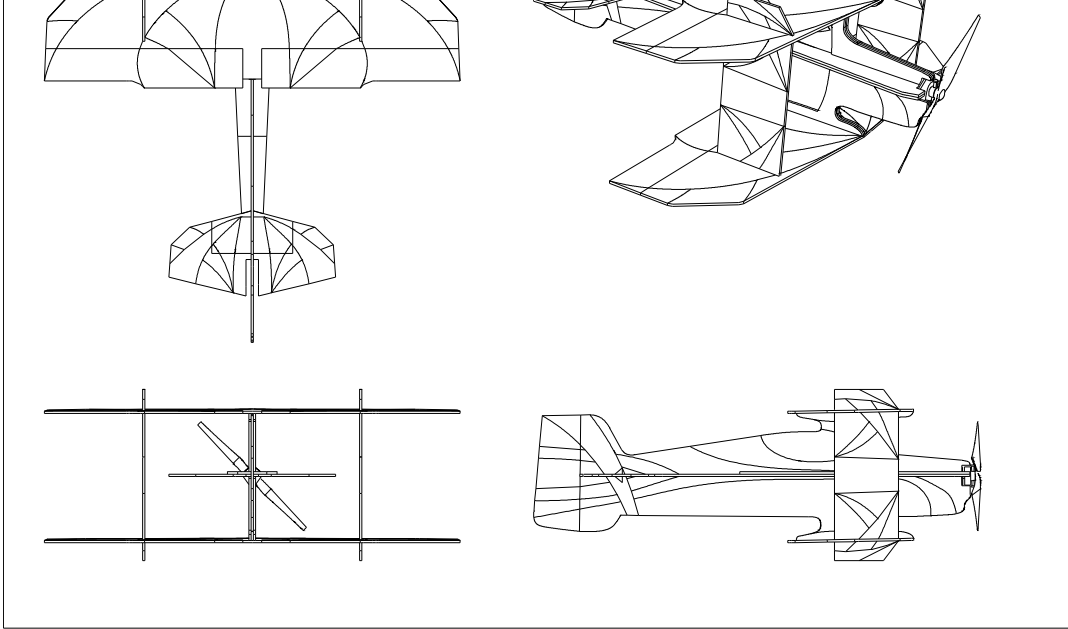
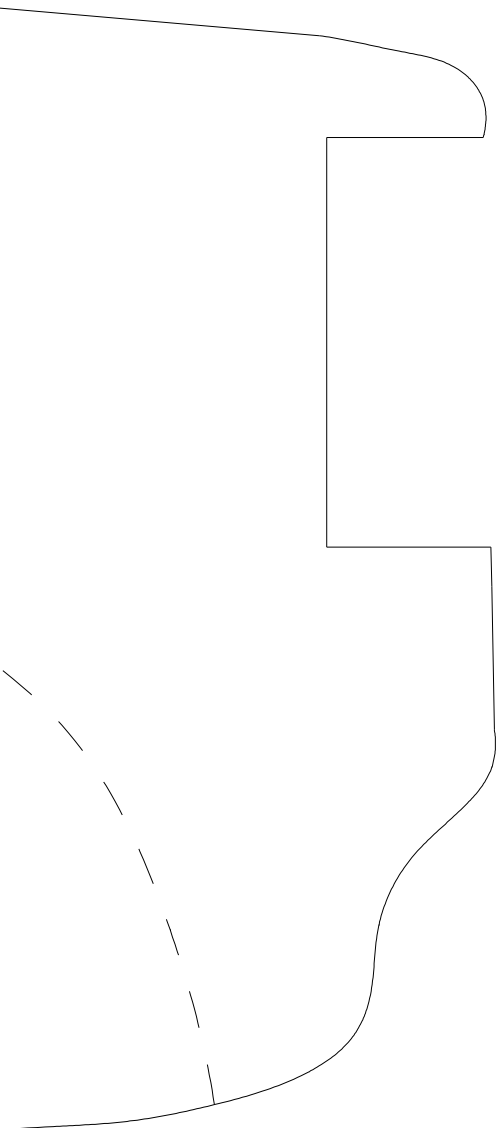
DRAWN BY: PROP-ER

Wingspan: 44" (1100mm)

Material: FFF / 6mm Depron

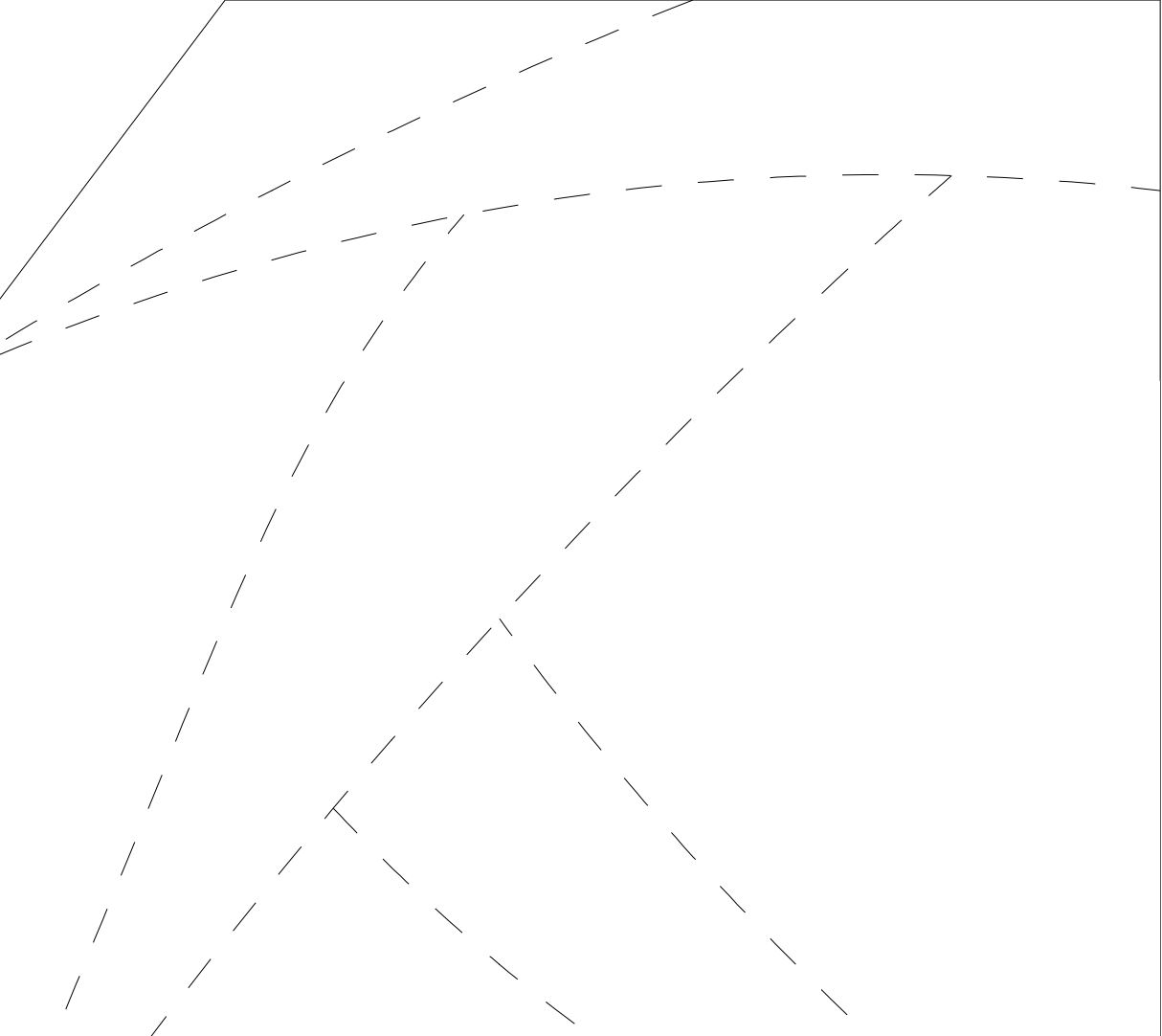
This copyright protected plan is free for personal, non-commercial use only.



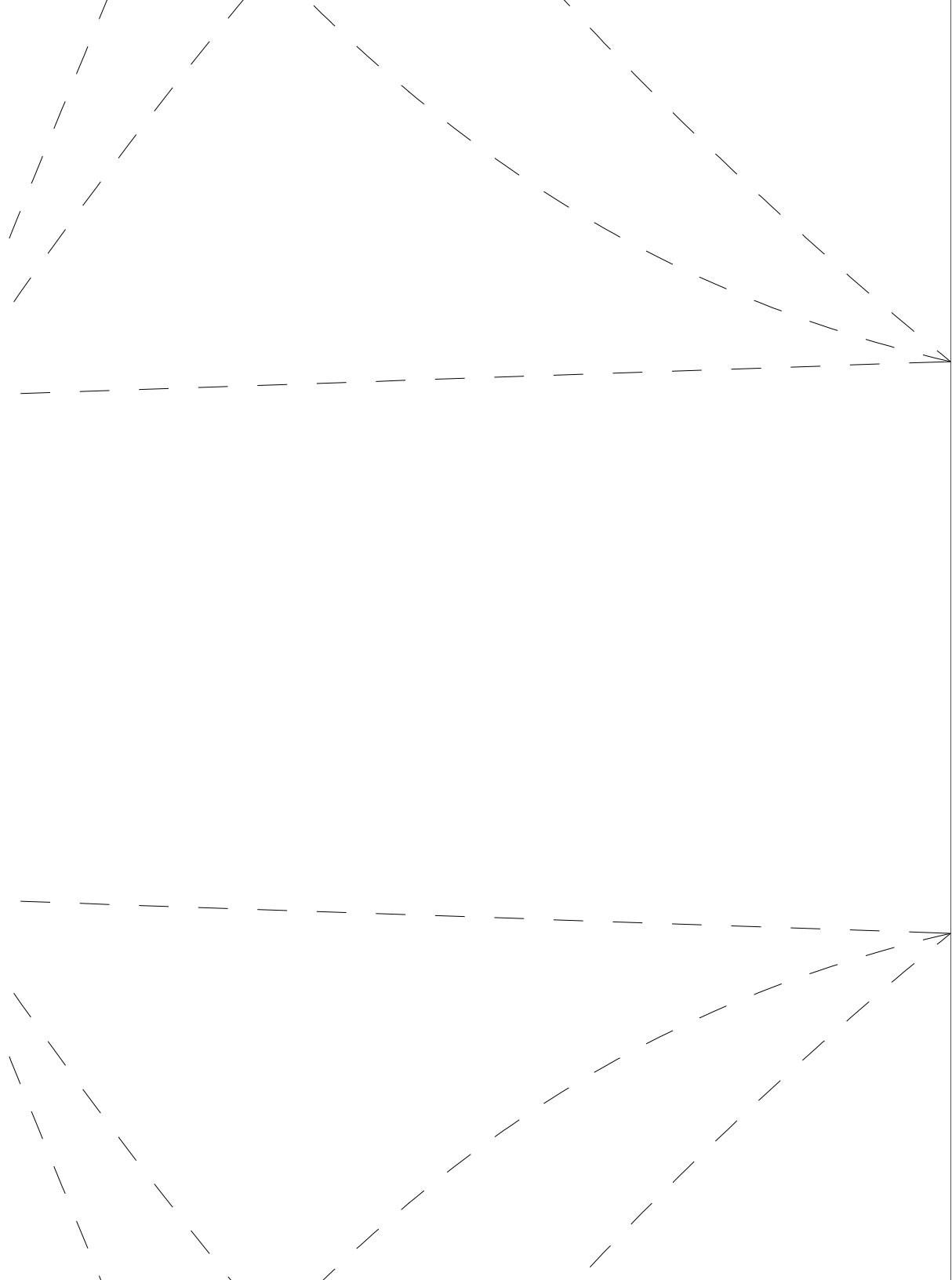


ubler

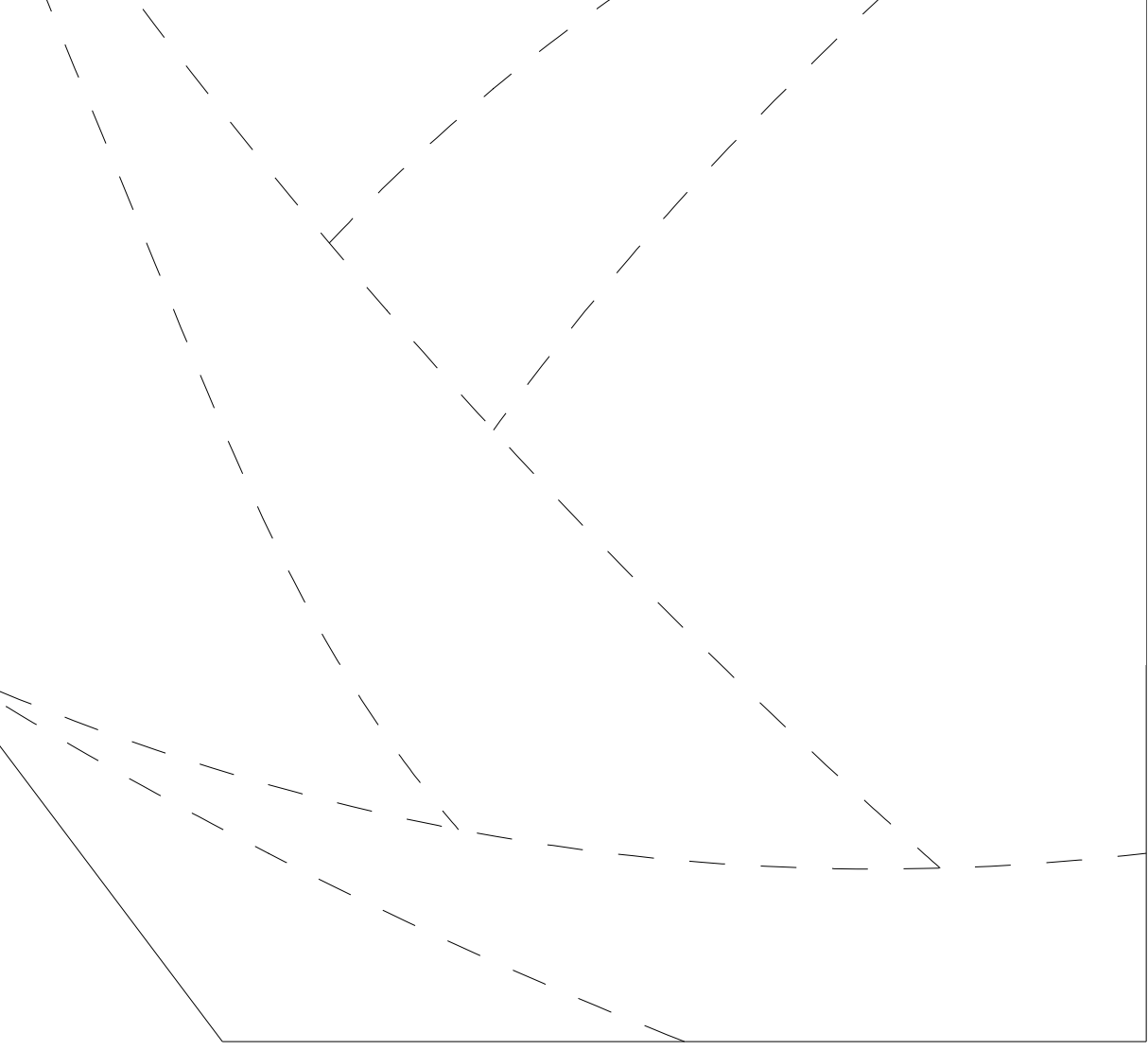
upbler



crators



side force generat



2x 2 side