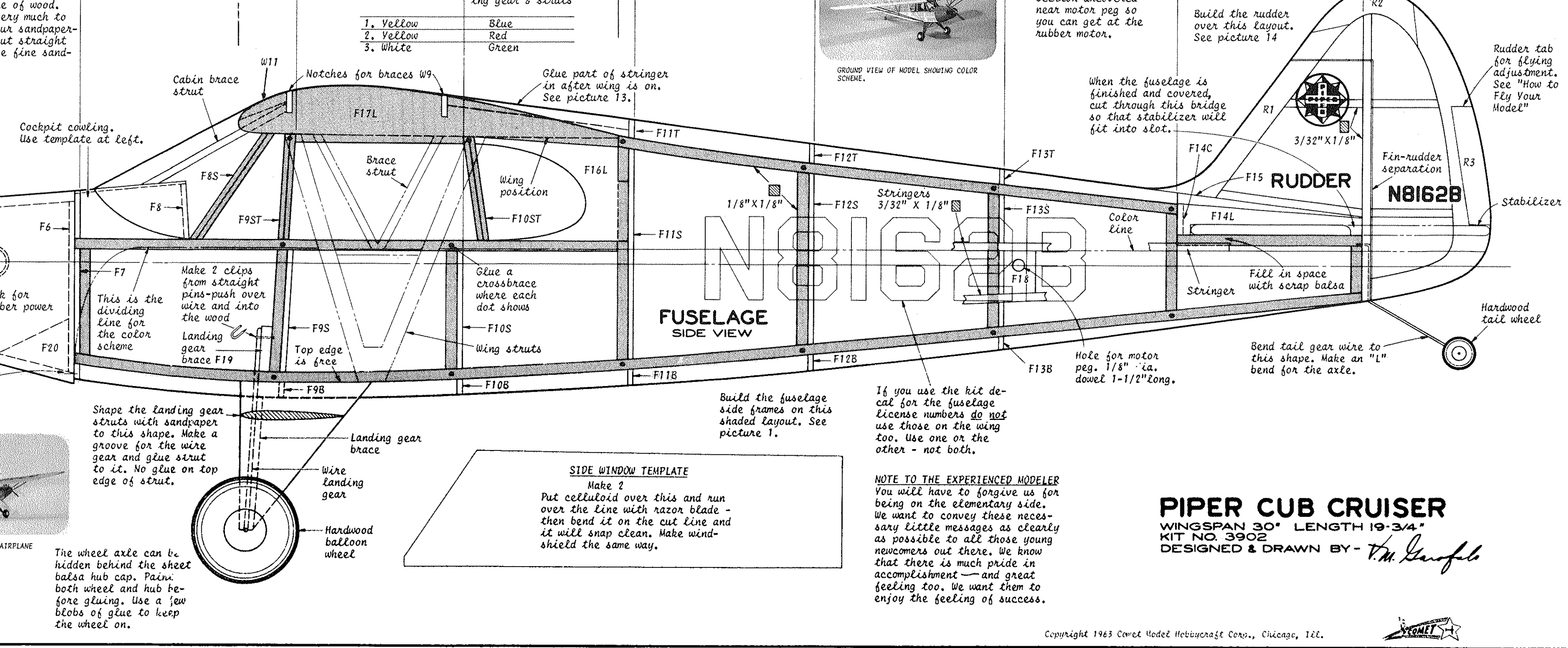
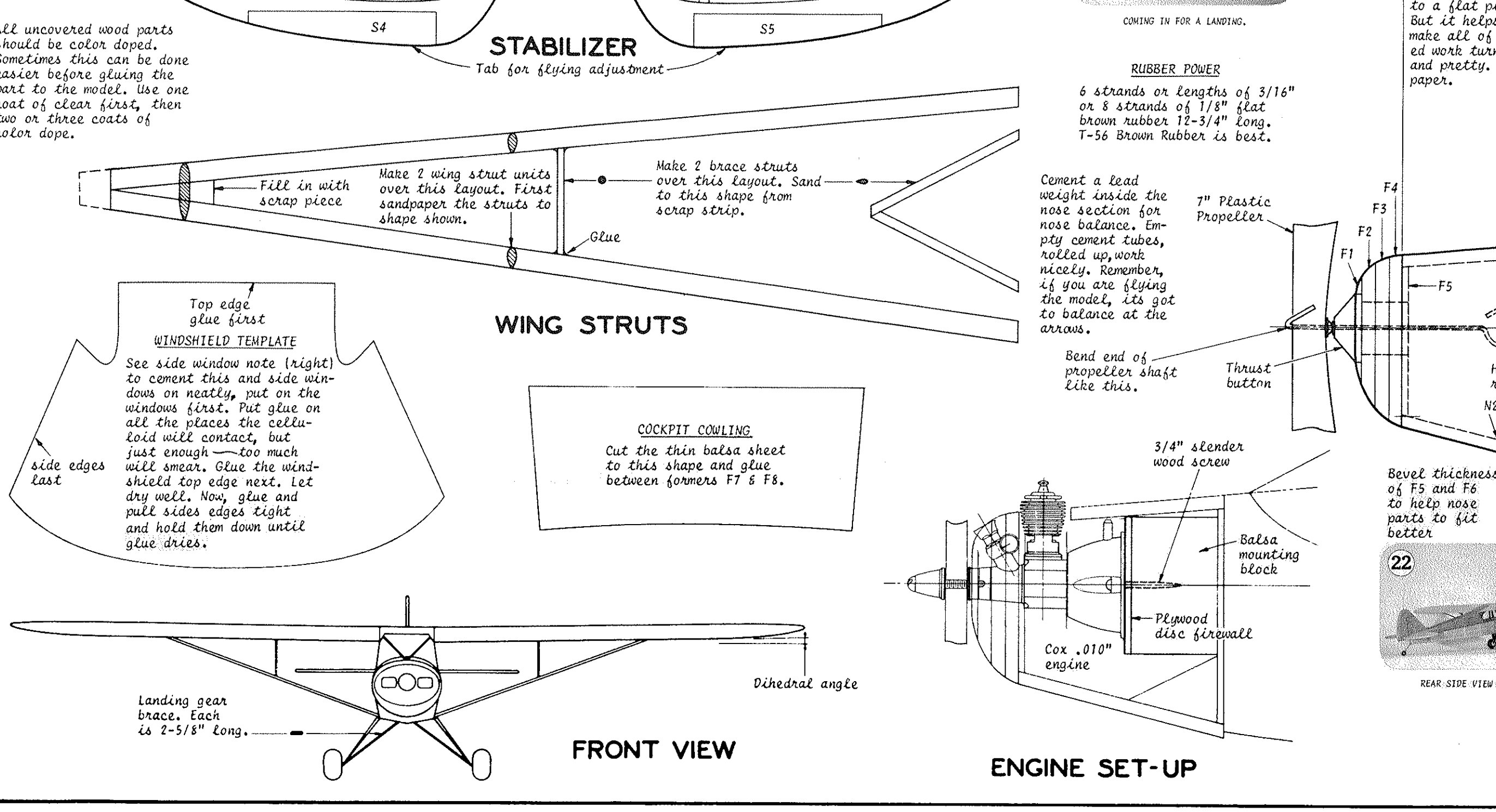
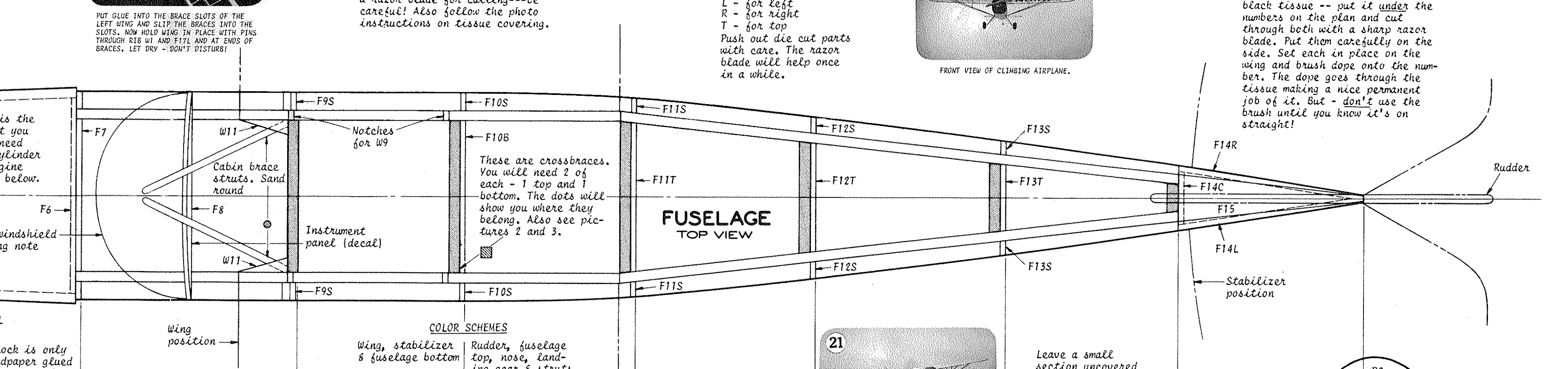
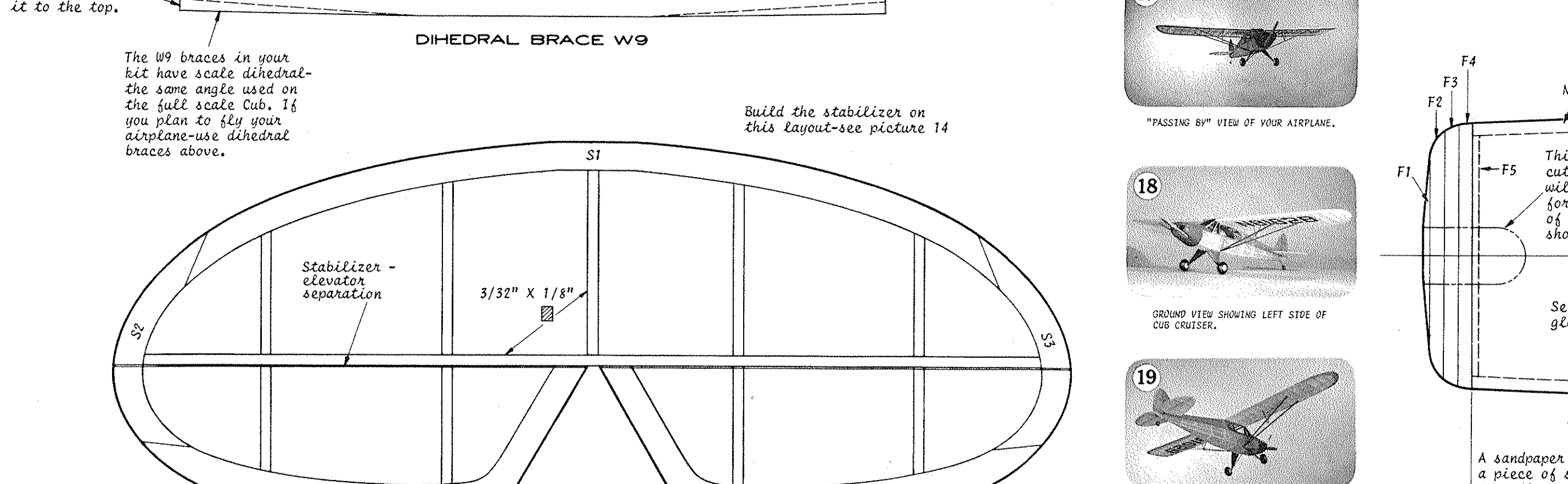
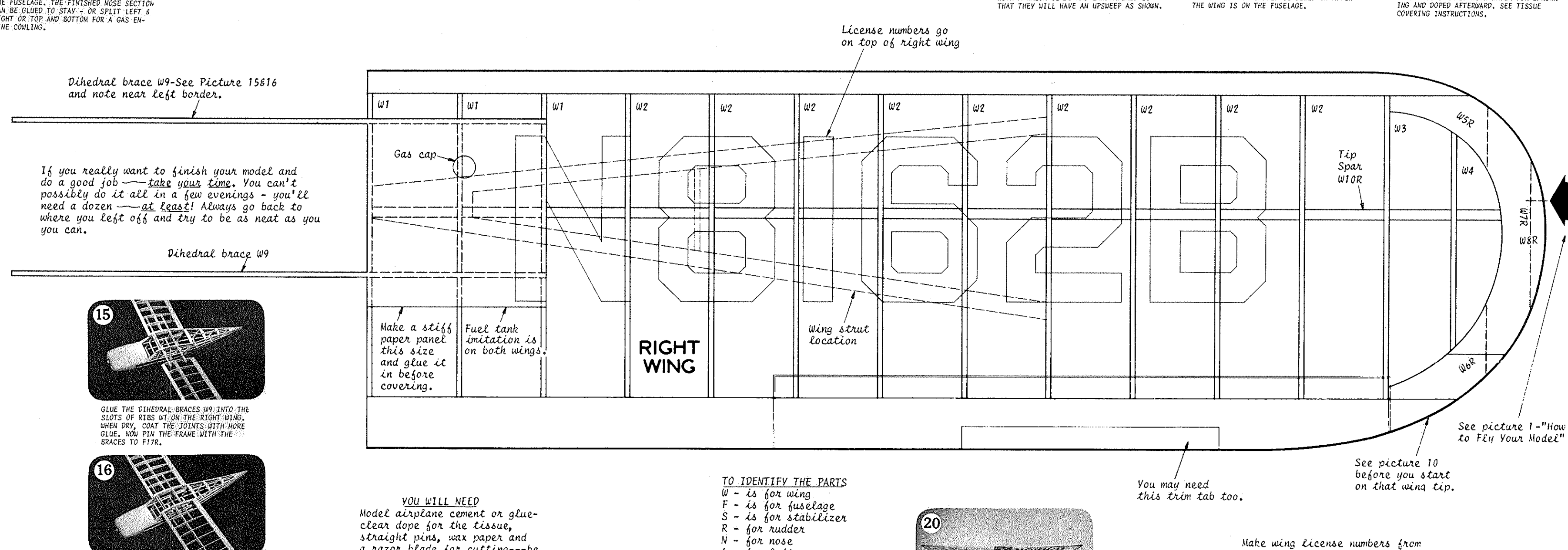
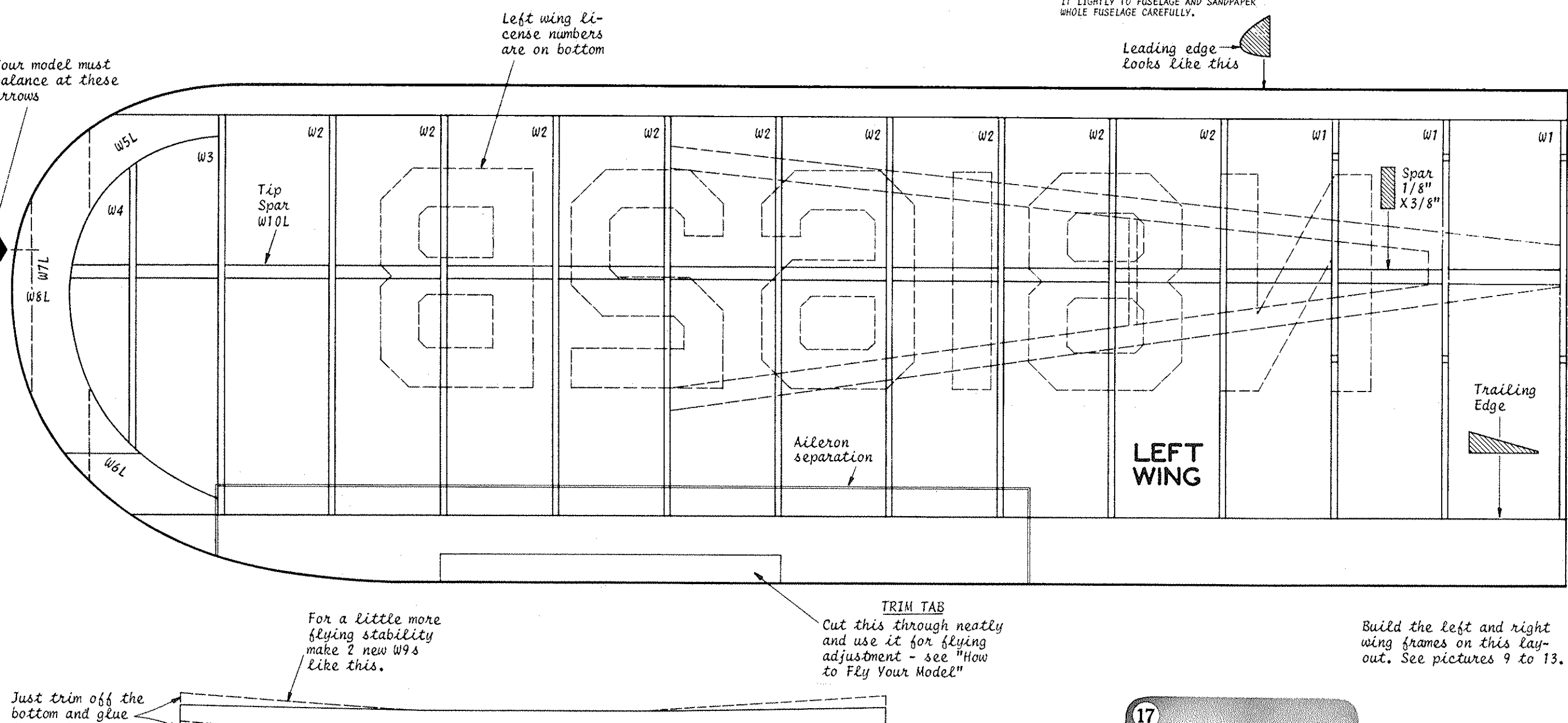
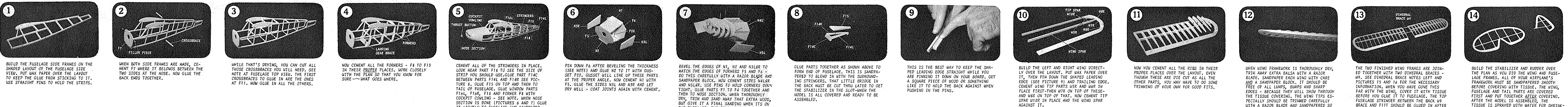


TO BUILD IT—FOLLOW THESE STEPS



PIPER CUB CRUISER
WINGSPAN 30" LENGTH 19-3/4"
KIT NO. 3902
DESIGNED & DRAWN BY—*T.M. Gump*

NOTE TO THE EXPERIENCED MODELER: You will have to forgive us for being on the elementary side. We want to convey these necessary little messages as clearly as possible to all those young newcomers out there. We know that there is much pride in accomplishment—and great feeling too. We want them to enjoy the feeling of success.

Copyright 1963 Corgi Model Hobbycraft Corp., Chicago, Ill.