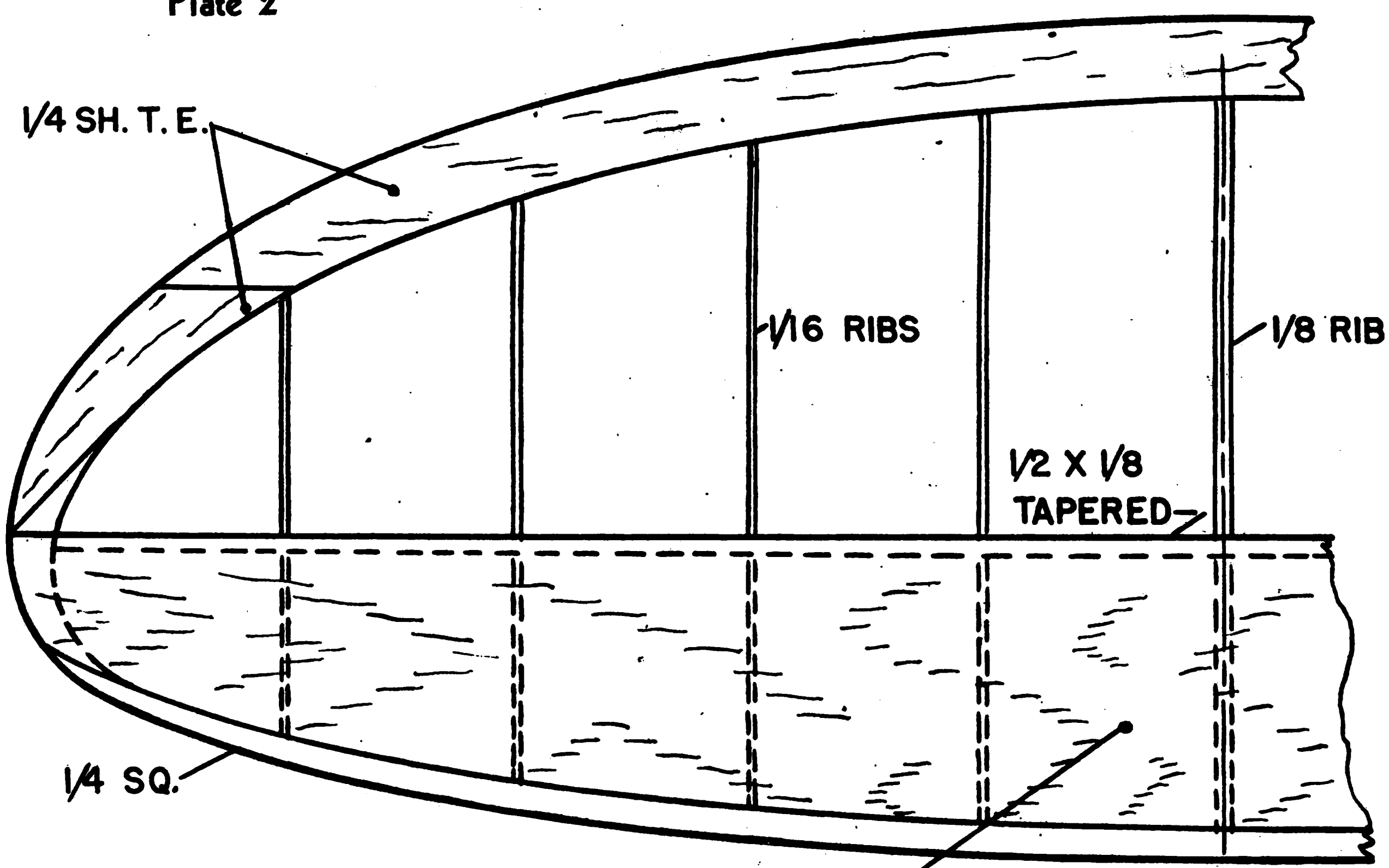


Planeteer
Plate 2

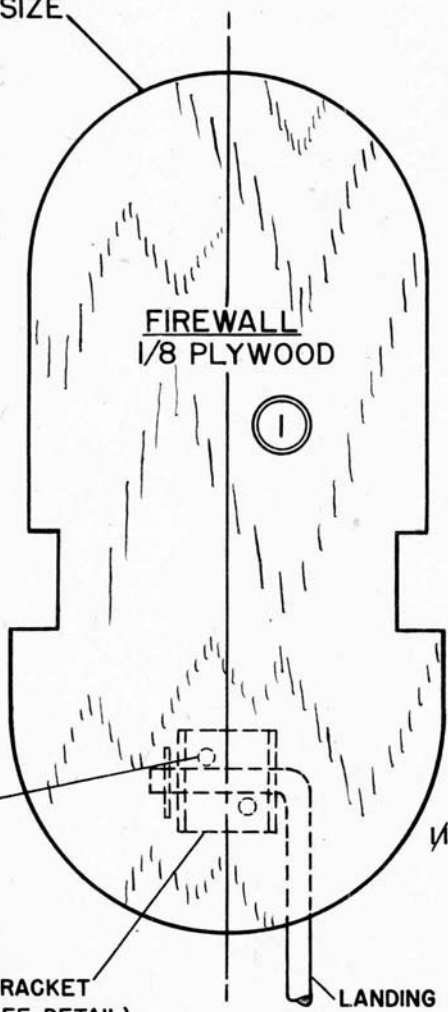
1/16 SH. COVERING
TOP ONLY



1/16 SH. COVERING TOP ONLY.

WING & ELEVATOR ARE 1/2 SCALE

FULL SIZE



FIREWALL
1/8 PLYWOOD

2-56
SCREWS

BRACKET
(SEE DETAIL)

LANDING GEAR

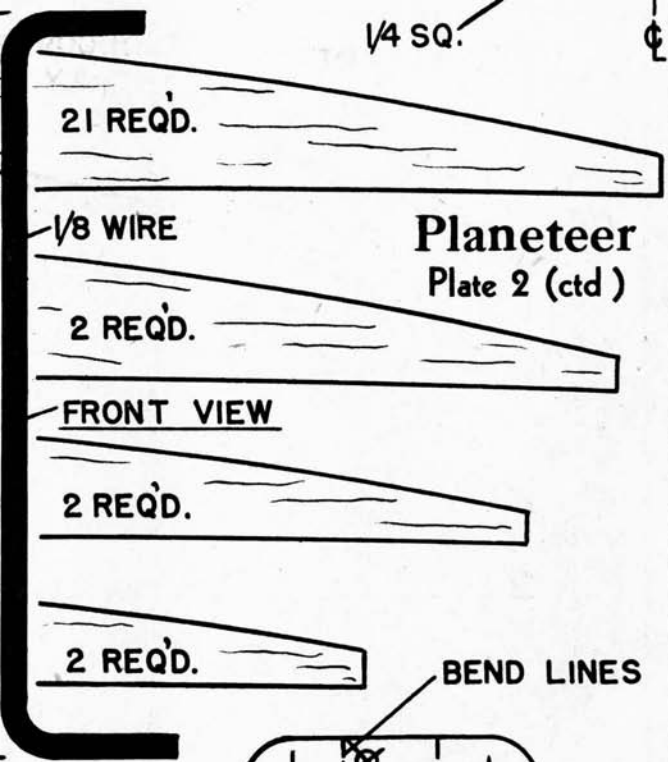
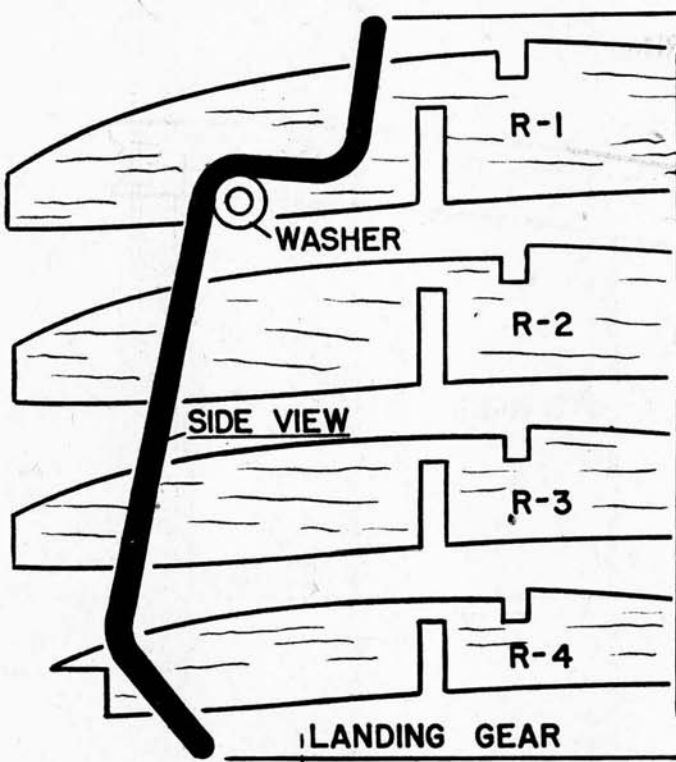
MOT

RUBBER

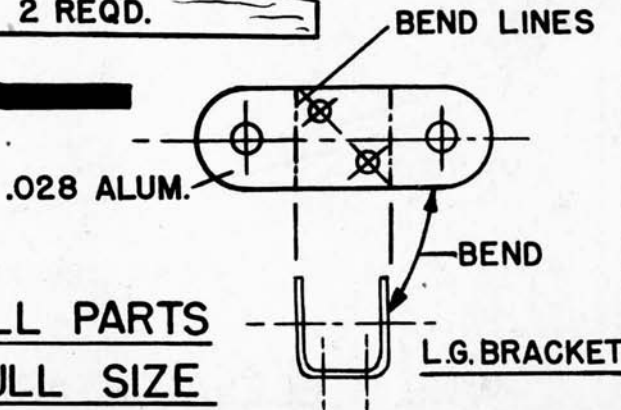
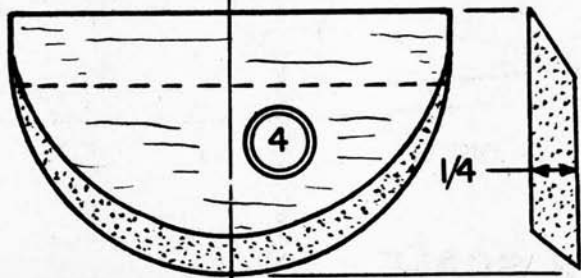
1/6 SHEET

HOLLOWED

1/4 SQ.



**Planeteer
Plate 2 (ctd)**



**ALL PARTS
FULL SIZE**