

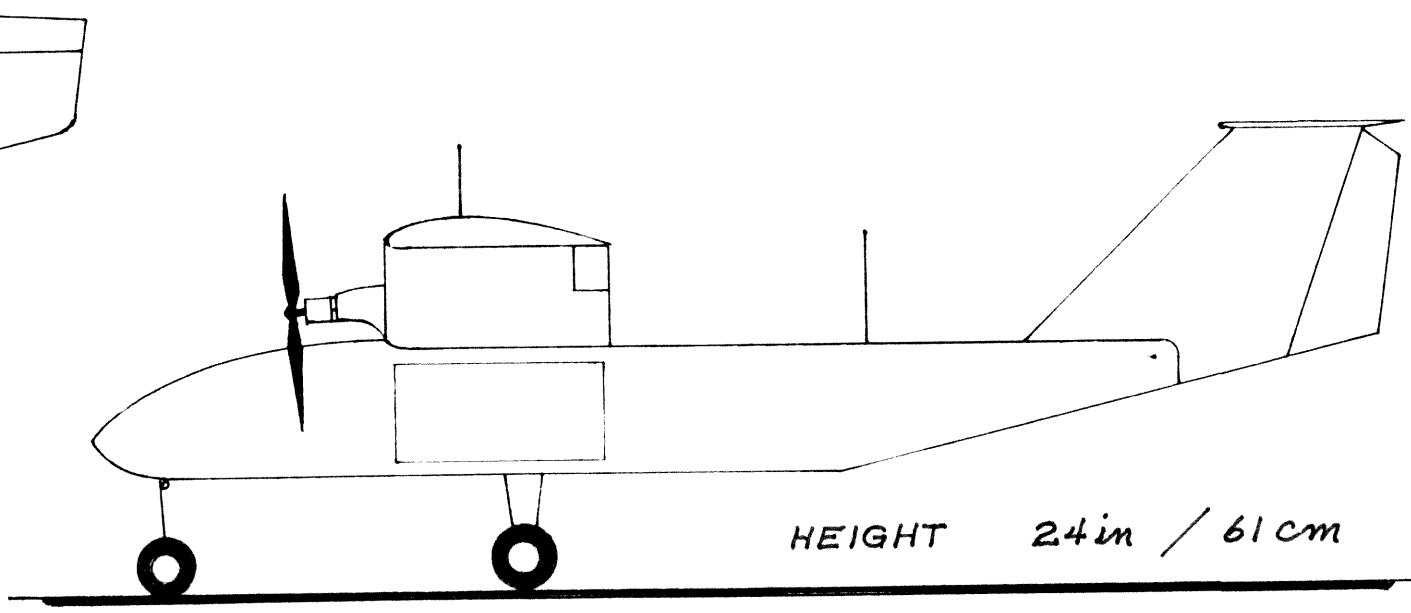
GEMINI V-2

M.A.P.S. DESIGN TECHNOLOGY ASSURES EASILY CONTROLLED STABLE FLIGHT

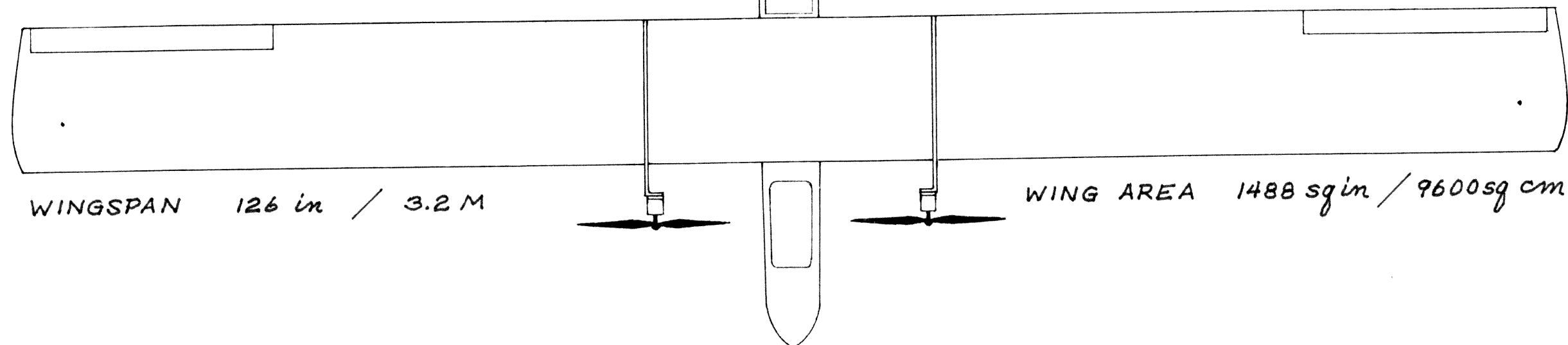
LARGE BATTERY CAPACITY - SPACE FOR AND ABILITY TO CARRY 8lbs (3.64kg) OF BATTERIES

2 LARGE SWAPABLE PAYLOAD BAYS W/EASY ACCESS FOR ADD'L CAMERAS ETC.

OUTER WING PANELS AND TAIL ARE REMOVABLE FOR TRANSPORT AND STORAGE (FITS INTO TRUNK OF MOST SMALL CARS)

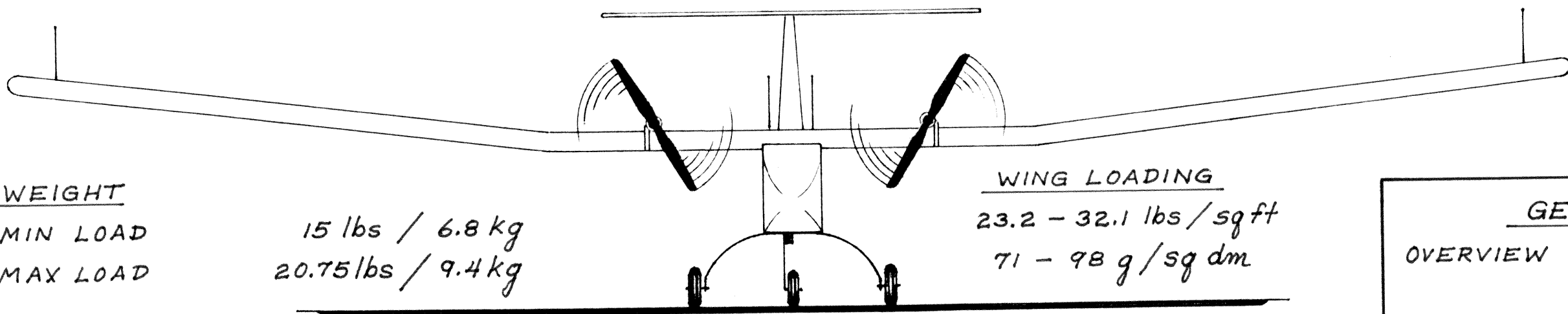


HEIGHT 24in / 61cm
LENGTH 68.5in / 174cm



WINGSPAN 126 in / 3.2 M

WING AREA 1488 sqin / 9600sq cm



WEIGHT

★ MIN LOAD 15 lbs / 6.8 kg
MAX LOAD 20.75lbs / 9.4kg

WING LOADING

23.2 - 32.1 lbs/sqft
71 - 98 g/sq dm

★ MIN LOAD INCLUDES: FPV SYSTEM
OBSERVER CAM SYSTEM
5 - 3 CELL 5000 MAH LIPOS

GEMINI V-2
OVERVIEW Copyright © 2014
BEARSPACE INDUSTRIES
all rights reserved
www.bearspaceindustries.com
PLANSET 8/14 PAGE 1 OF 5