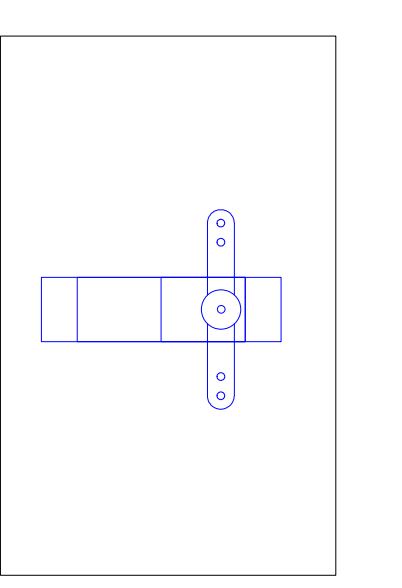
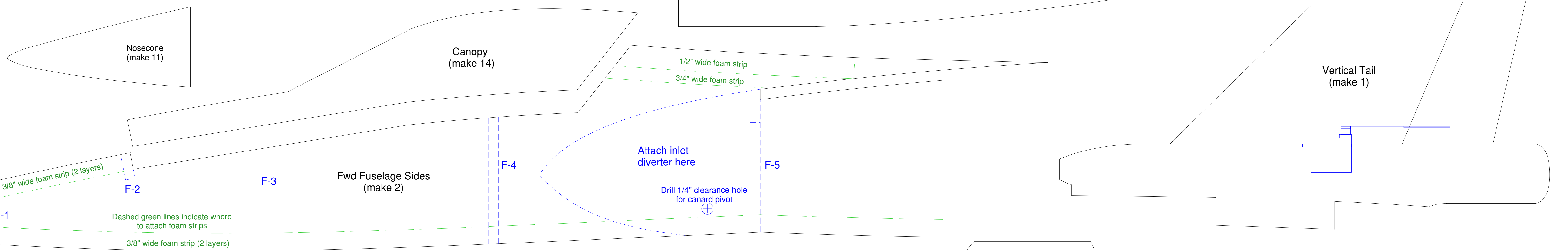
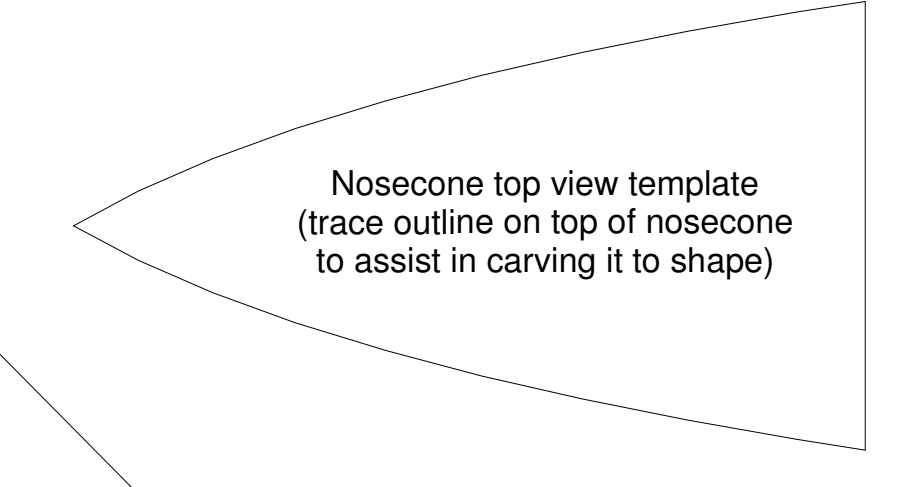
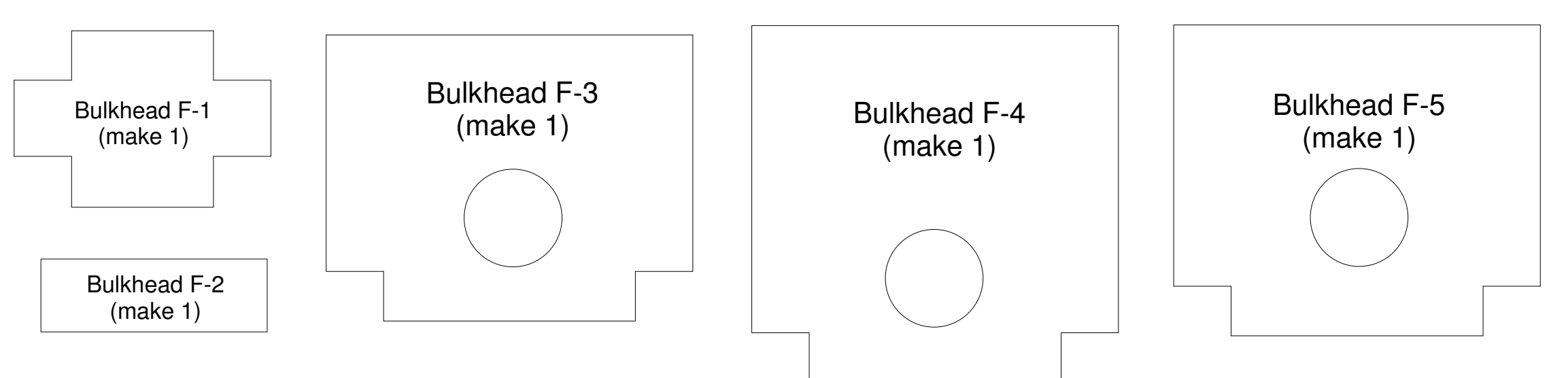
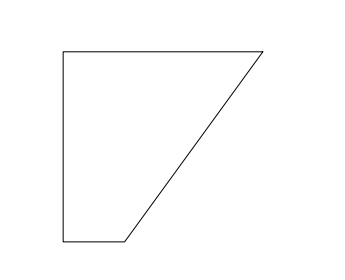


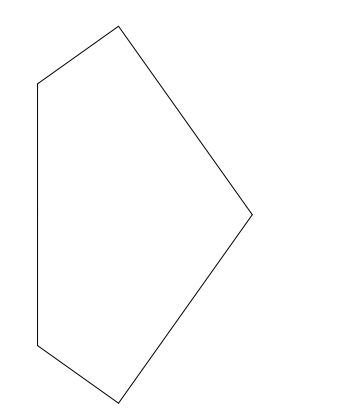
Grumman X-29 Park Jet
 Designed by Steve Shumate
 Copyright © 2007 All Rights Reserved
 All parts made from 6 mm Depron or BlueCore foam unless otherwise specified



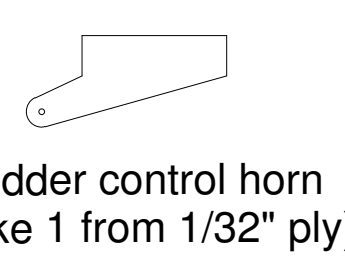
Canard servo tray (make 2 and laminate)



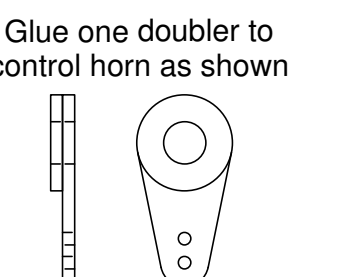
Wing outboard spar brace (make 2 from 1/32" ply)



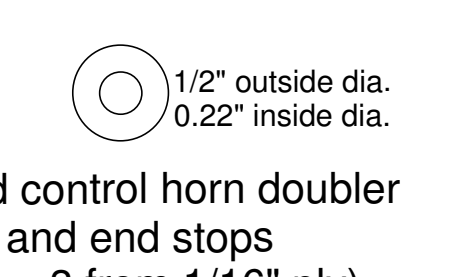
Wing center spar brace (make 1 from 1/32" ply)



Rudder control horn (make 1 from 1/32" ply)



Canard control horn (Make 1 from 1/16" ply)



Canard control horn doubler and end stops (Make 3 from 1/16" ply)

