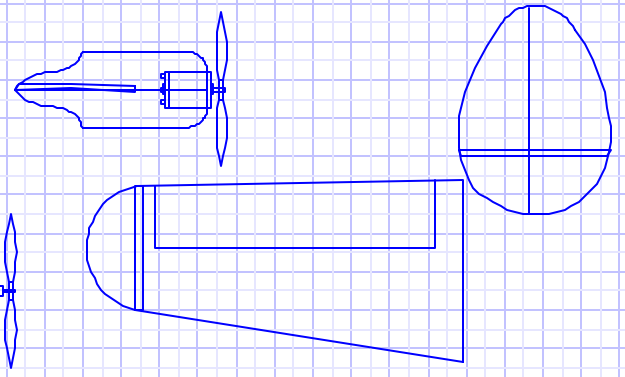
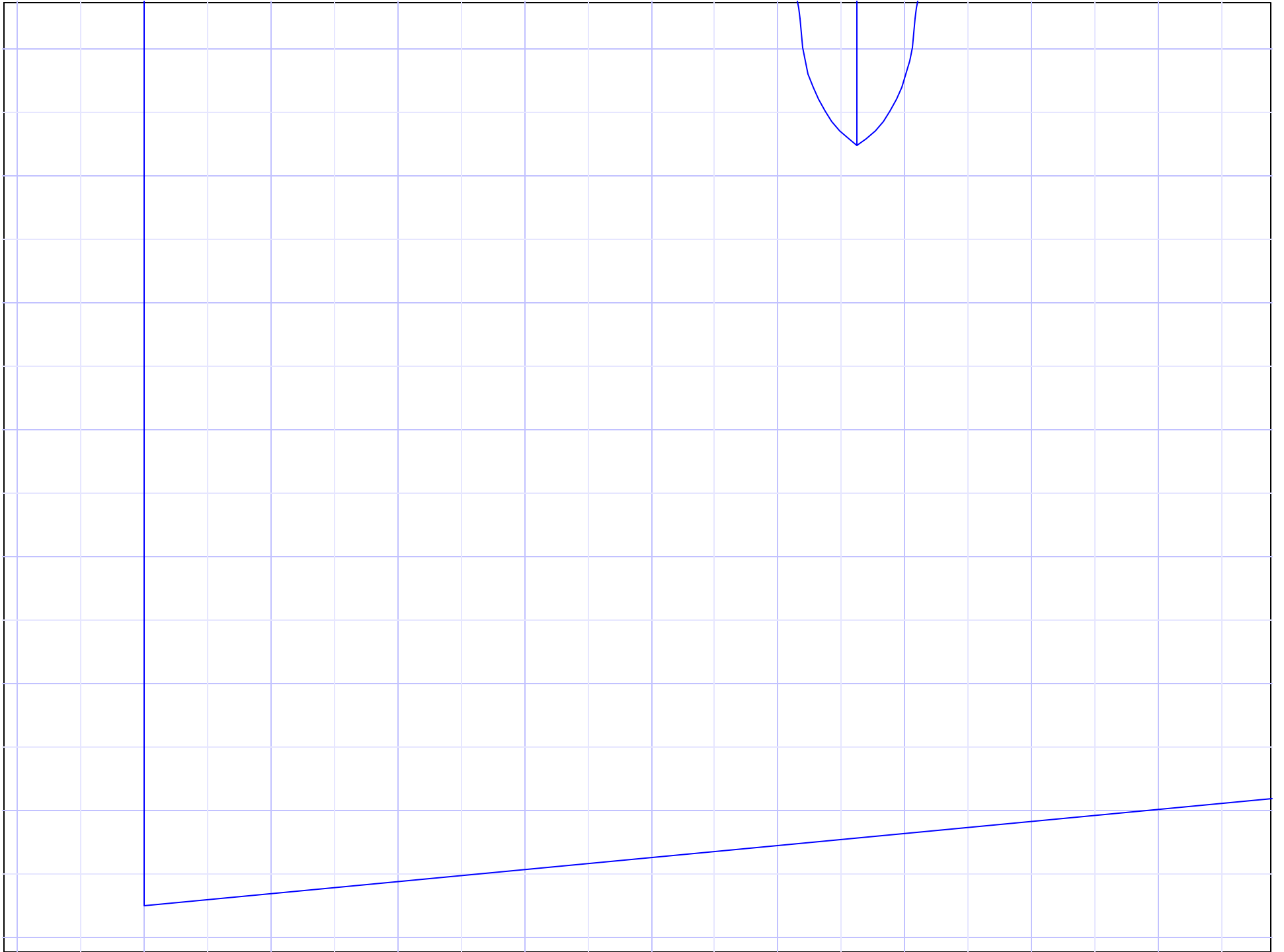


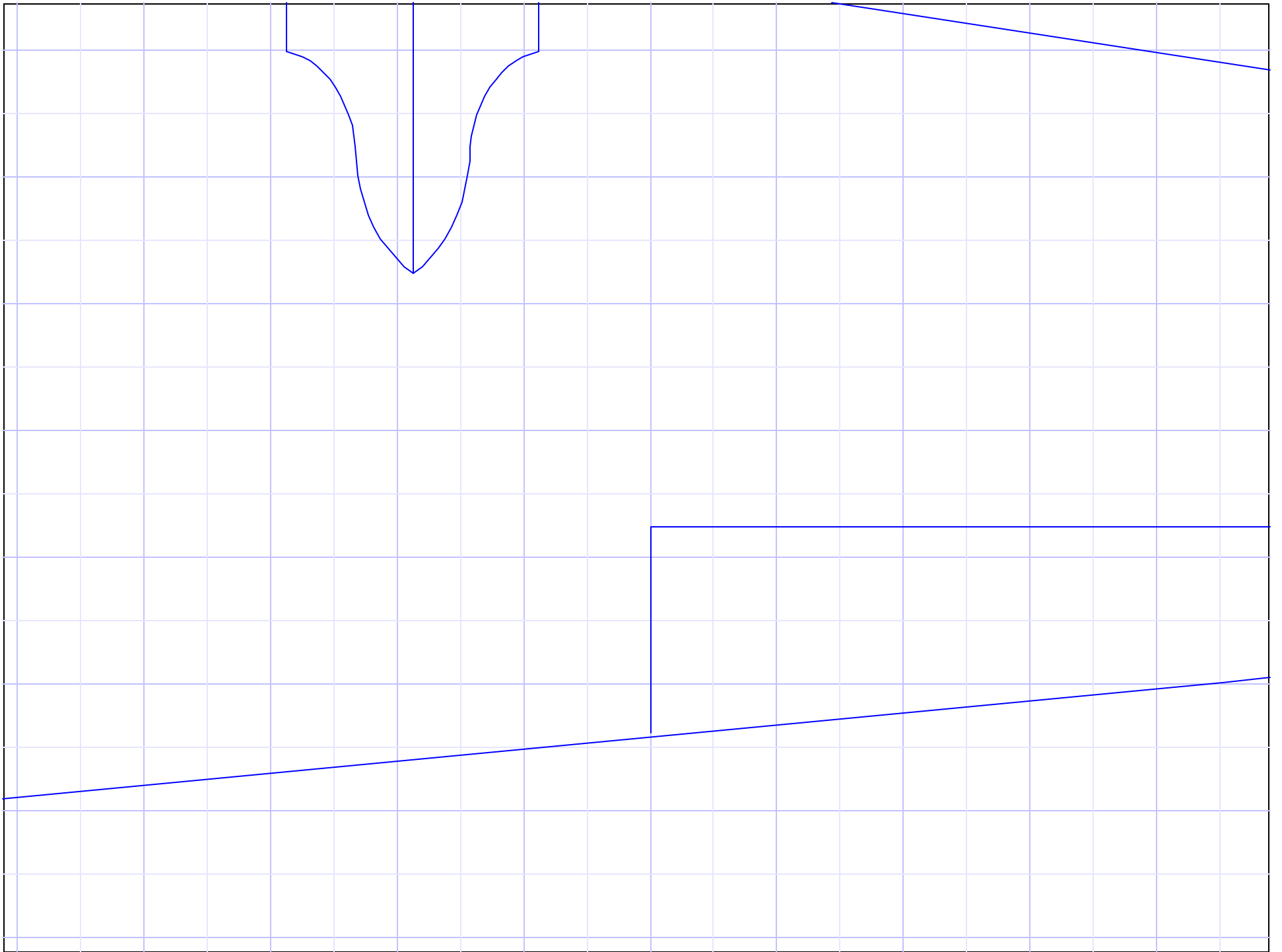
Power: 2x EPD-100C (280)
Prop: 5x3
Pack: 2s 700-1500

Alternate: DCM-189, 2 wired in series
w/ 5x3 props on 3s pack.

For R/E, use 3" dihedral per side
For A/E, use 1.5" dihedral per side
May want larger than scale ailerons.

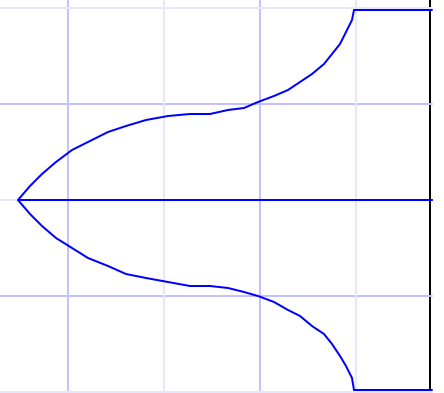
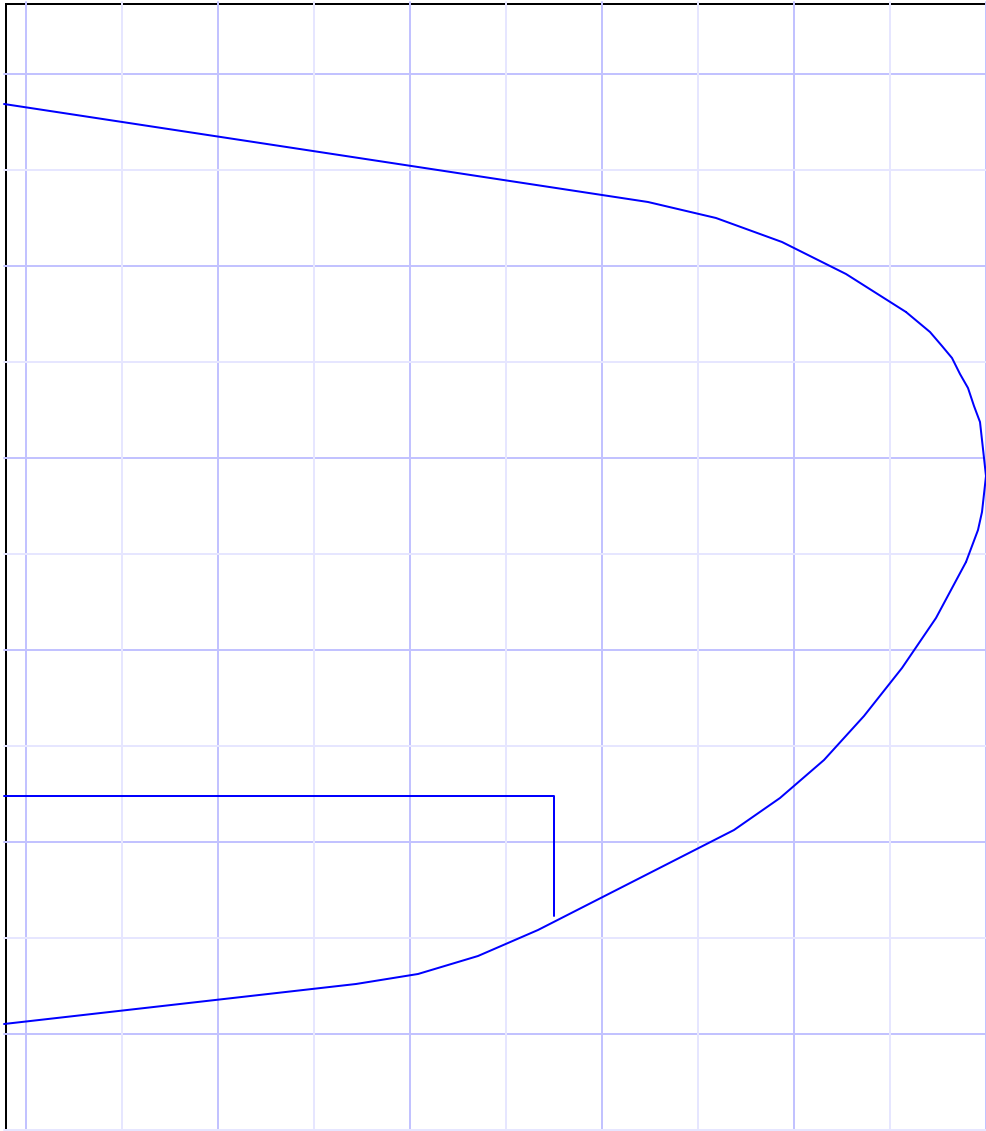






Alternate: DCM-189, 2
w/ 5x3 props on 3s pac

For R/E, use 3" dihedra
For A/E, use 1.5" dihed
May want larger than s



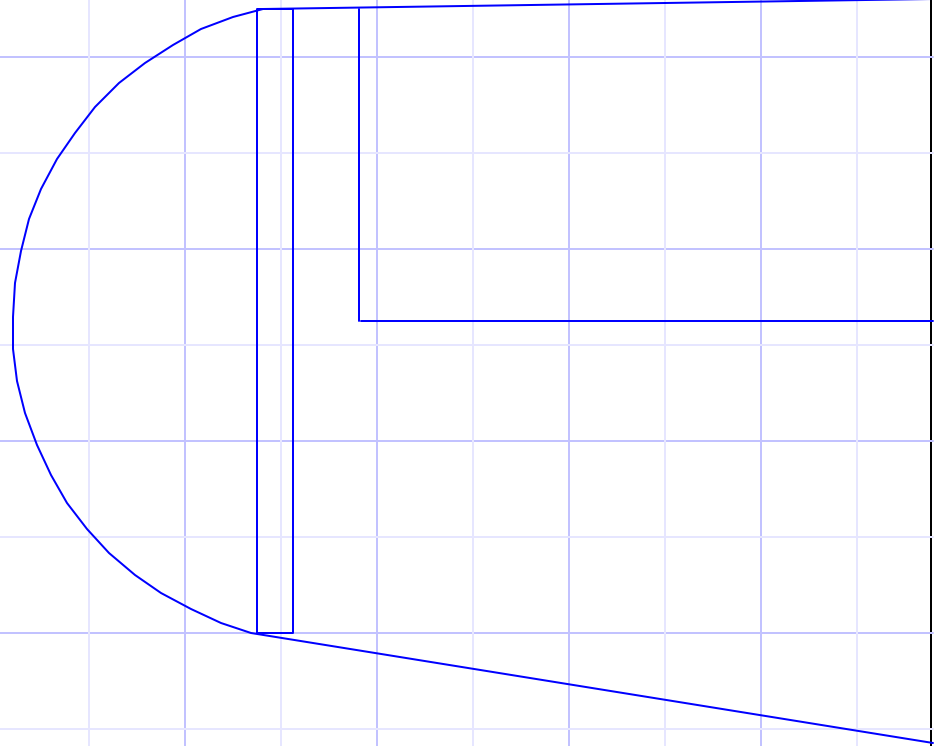
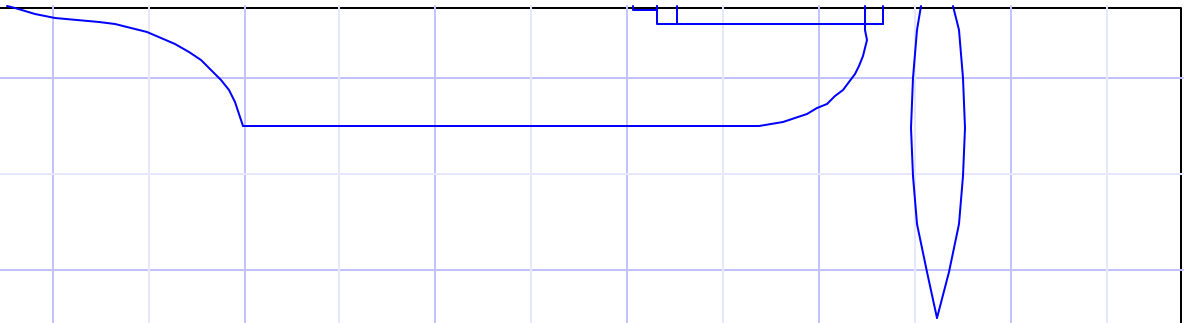
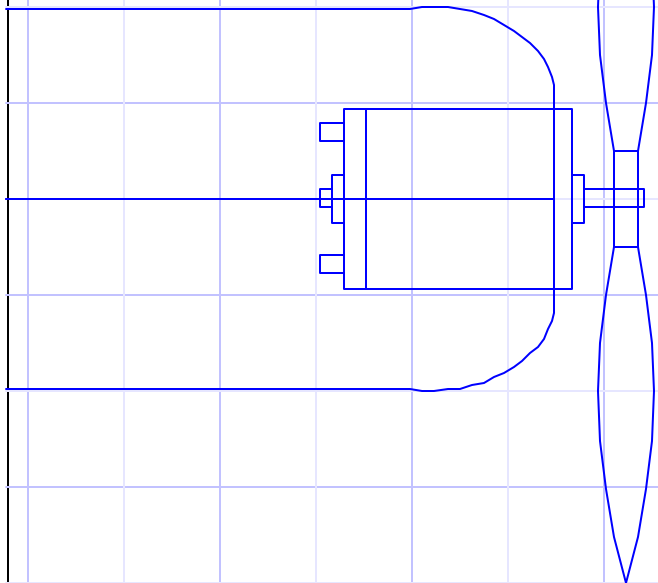
wired in series

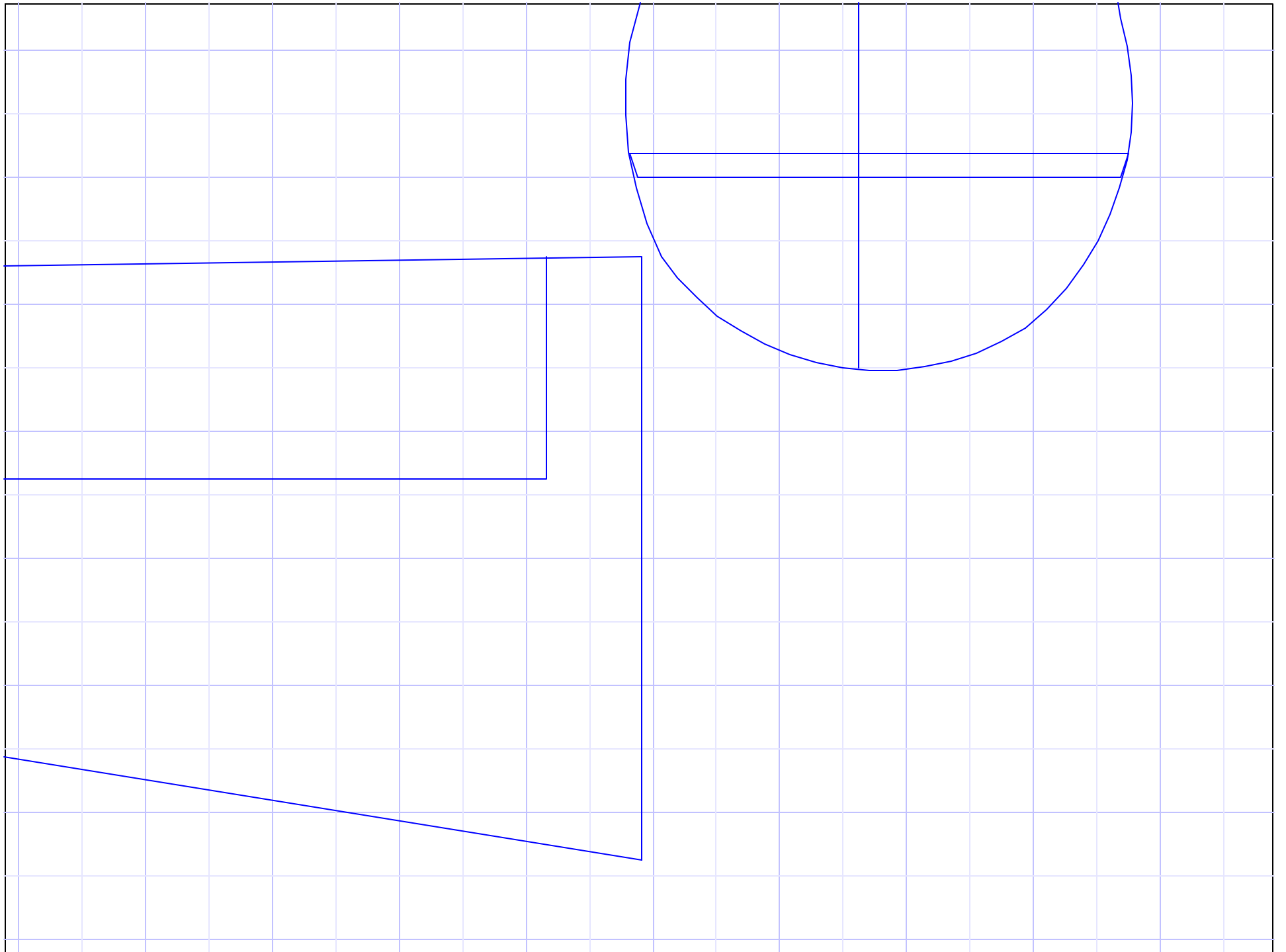
k.

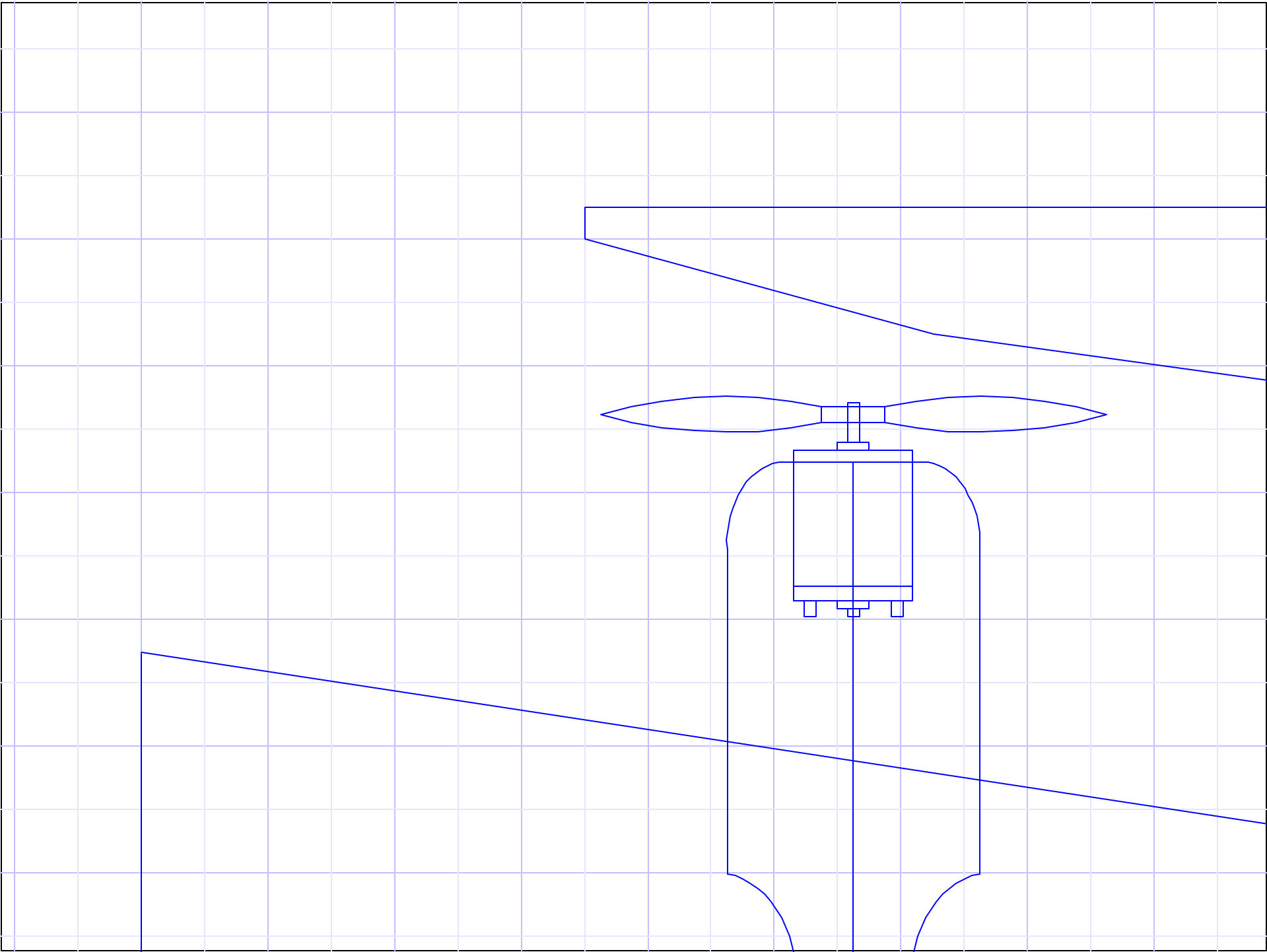
al per side

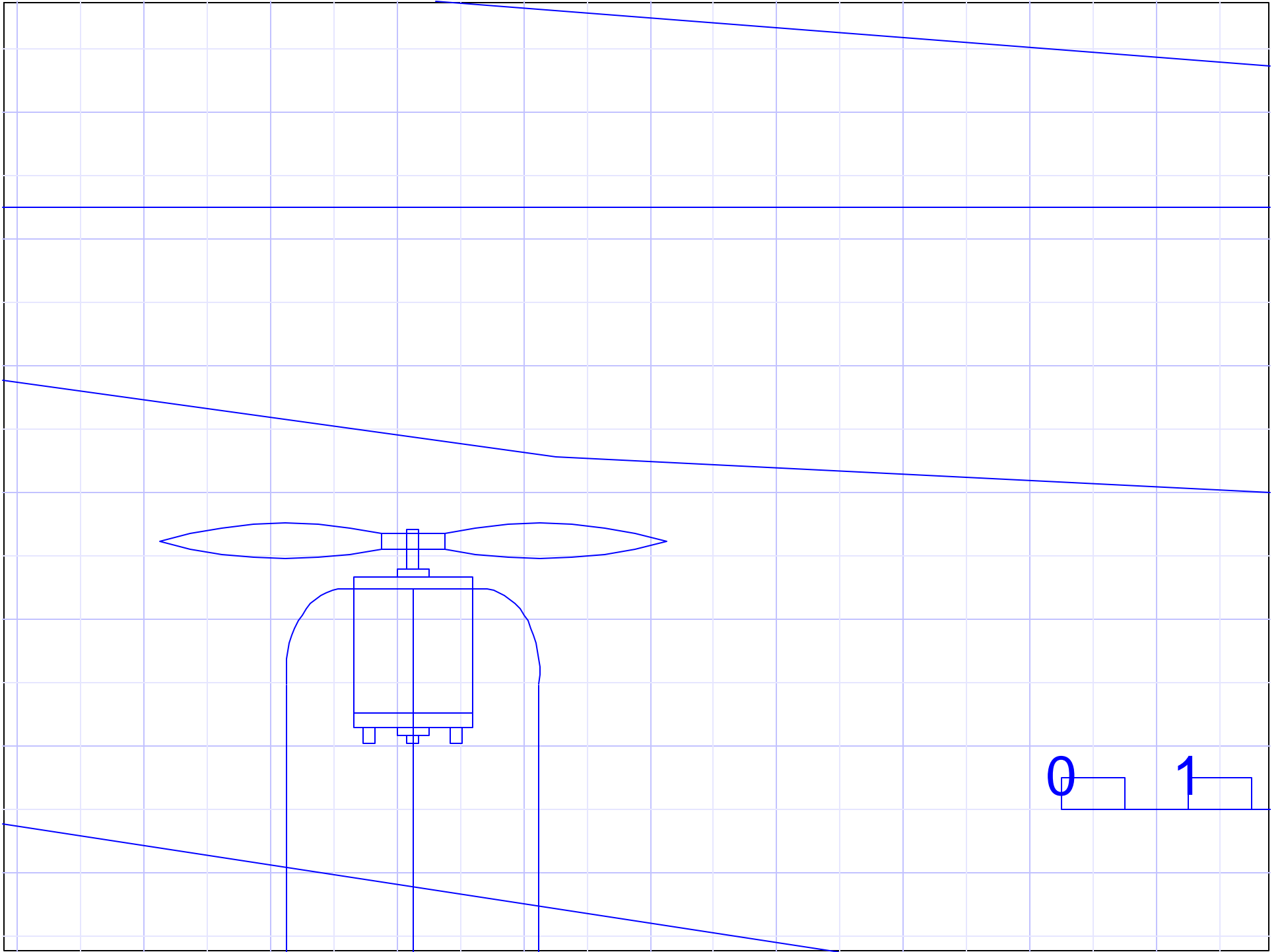
lral per side

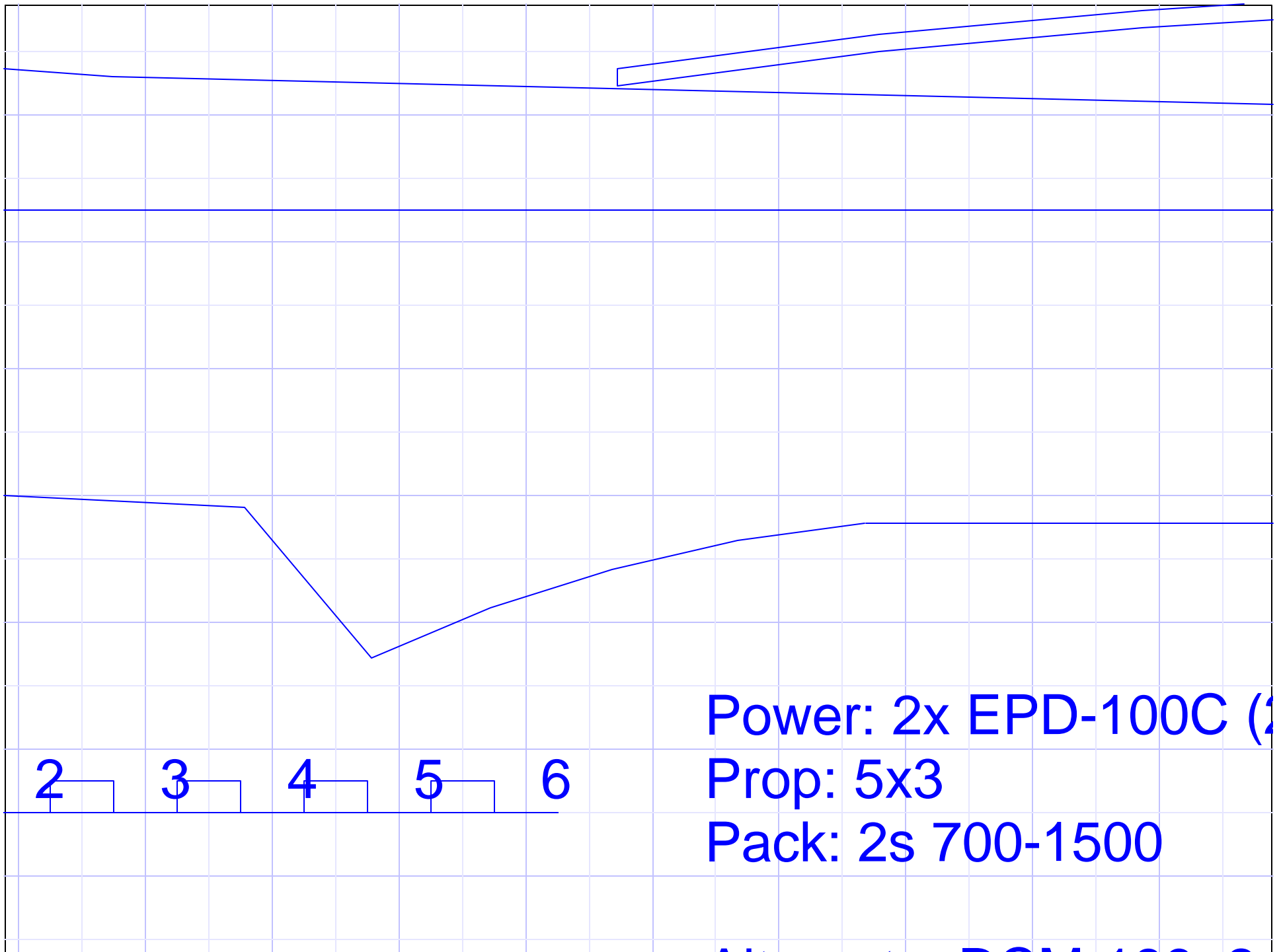
cale ailerons.

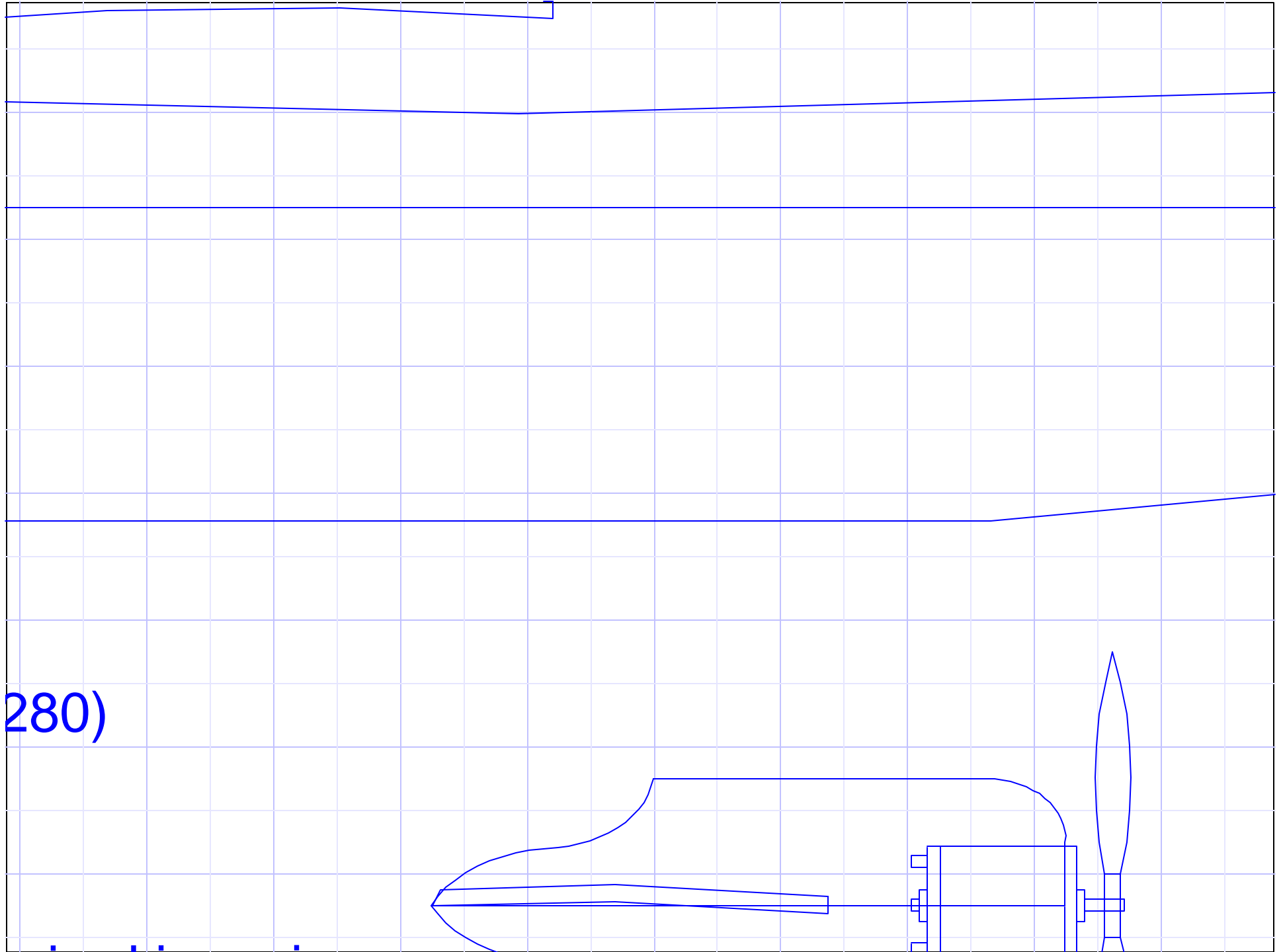




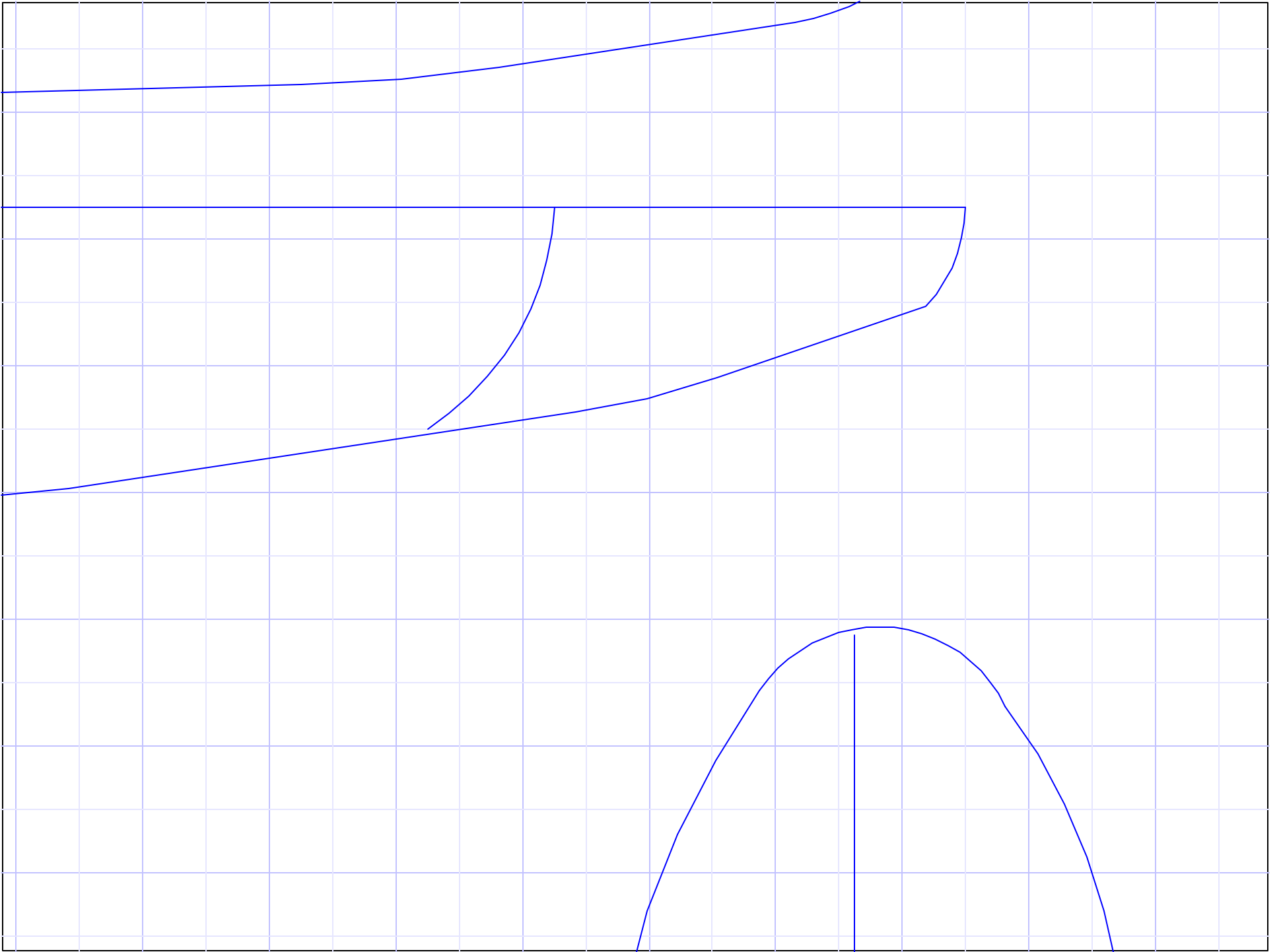


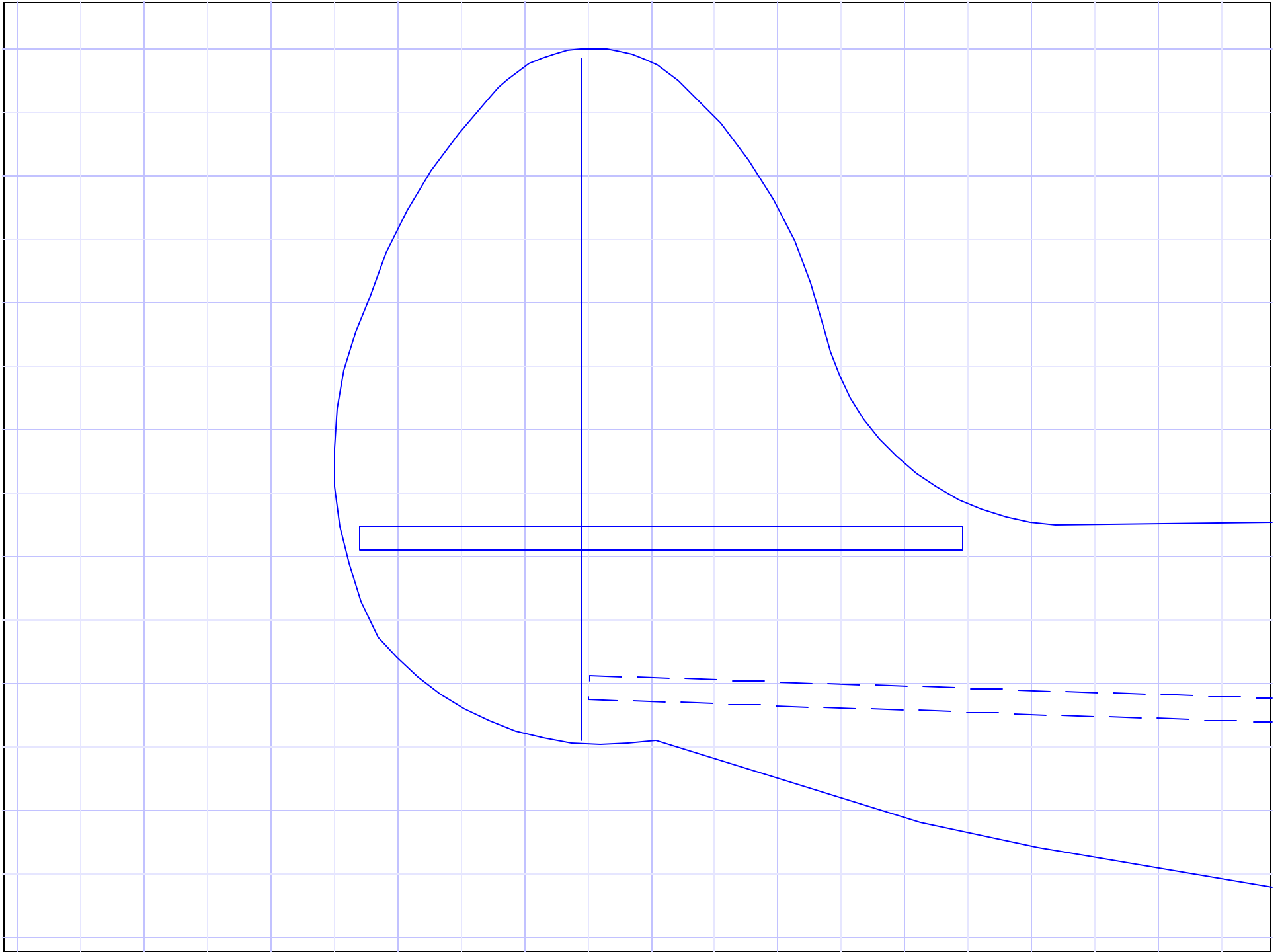


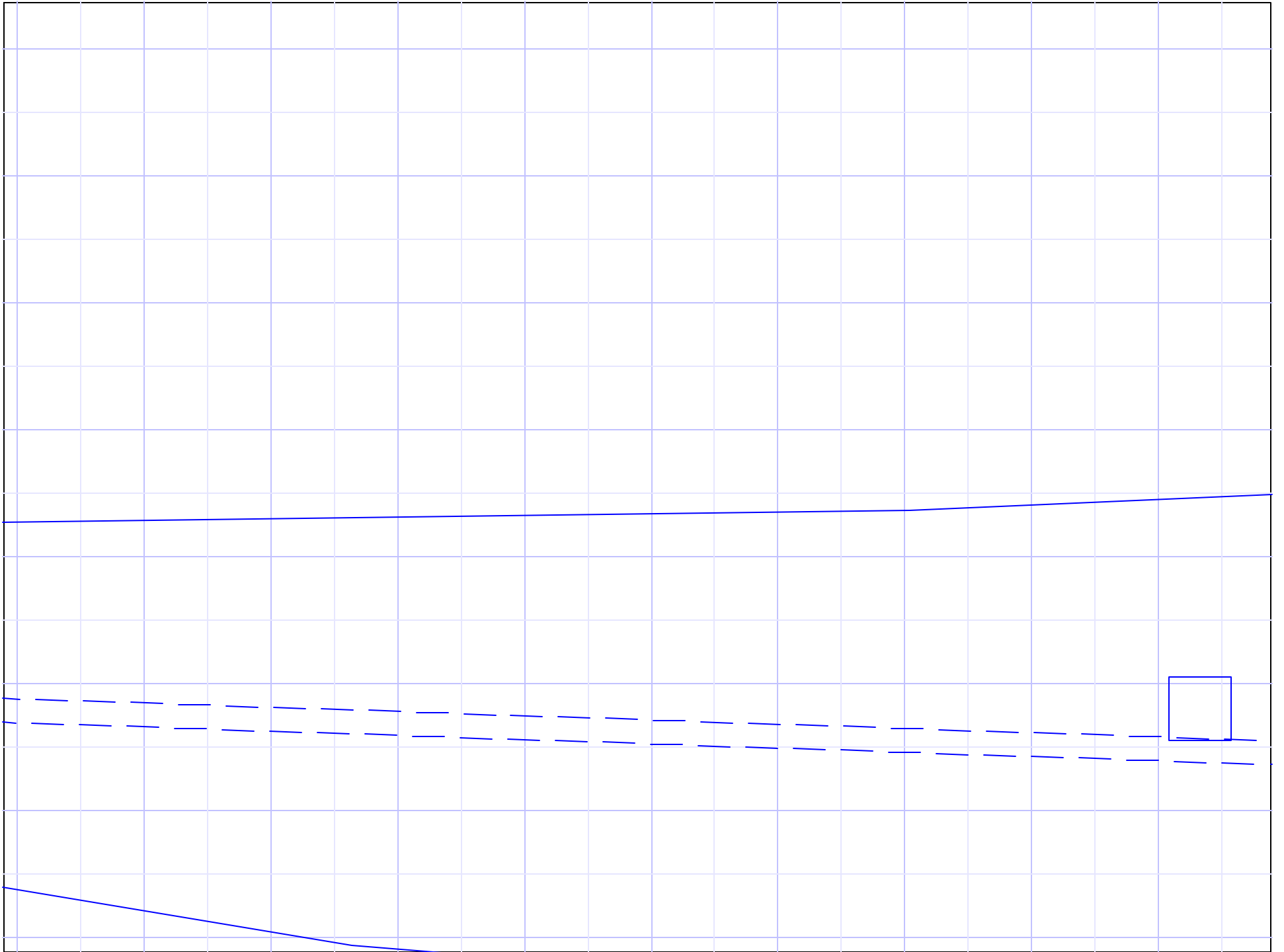


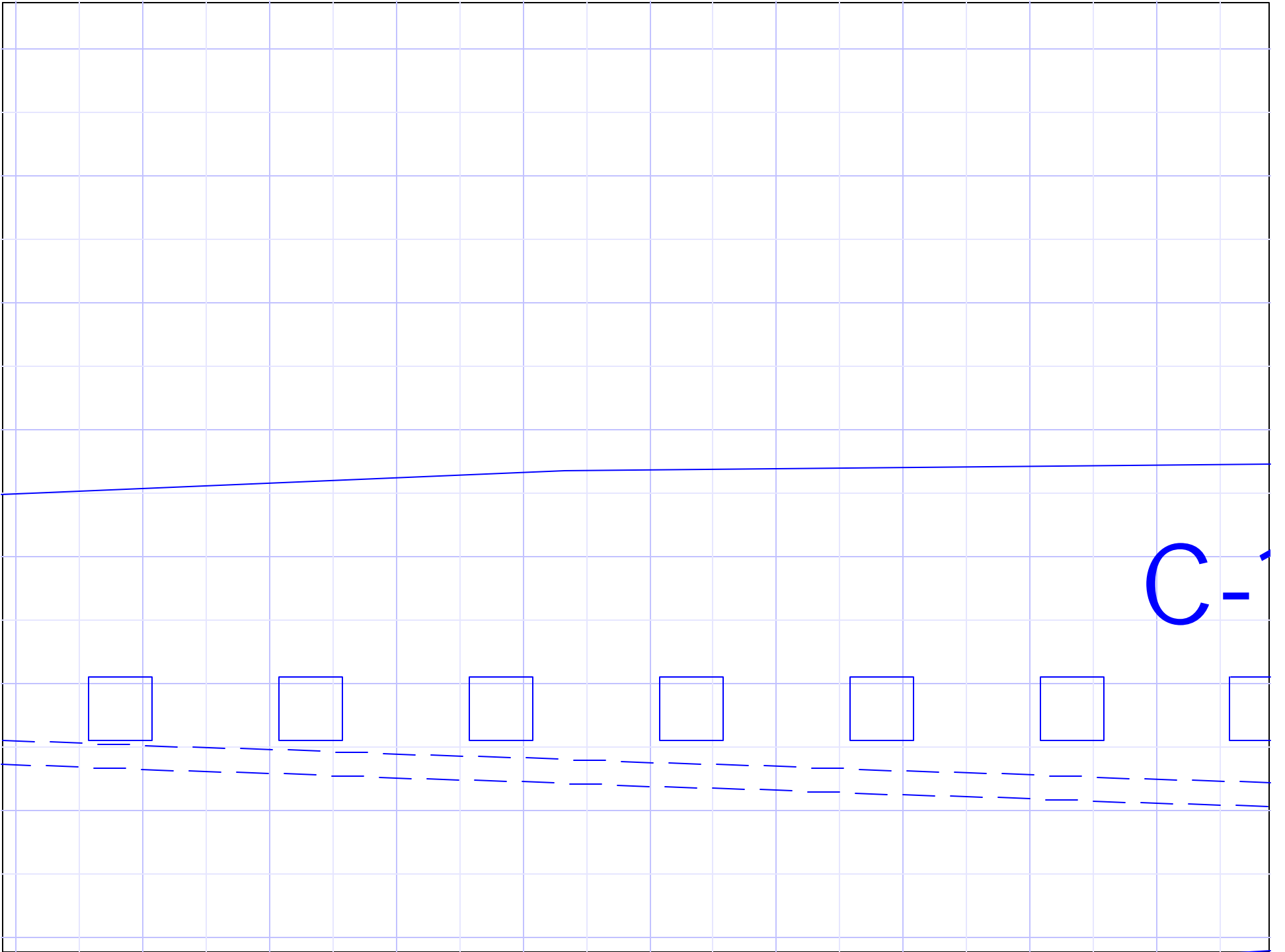


280)









121 'Constellation'

By Gene Bond

