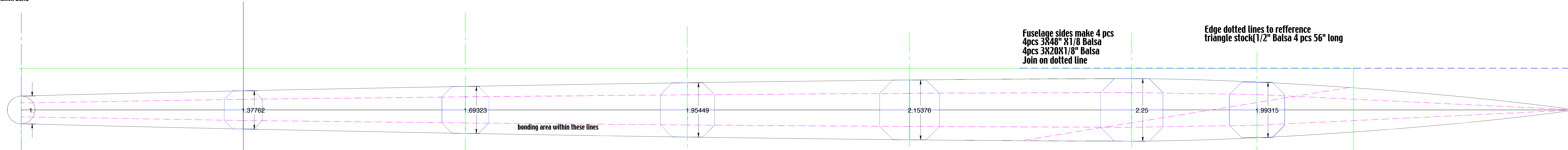
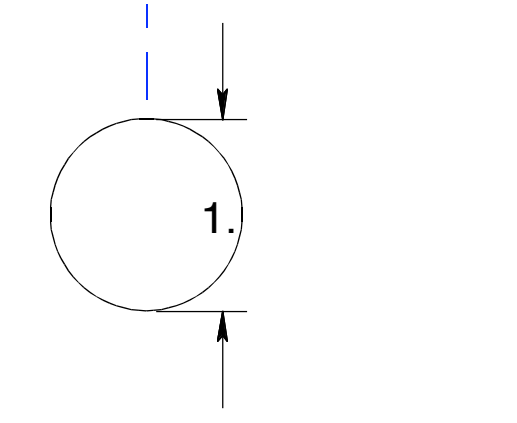


Station ZERO

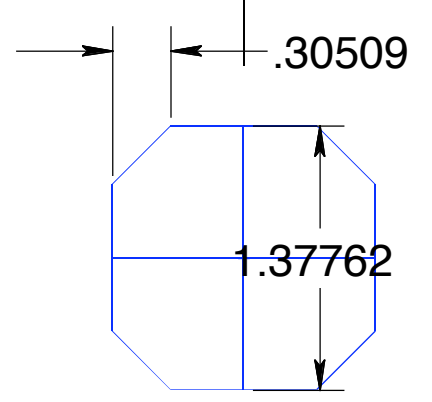


48.

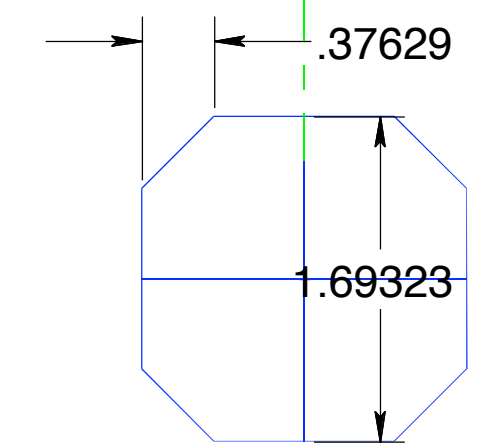
19.83385



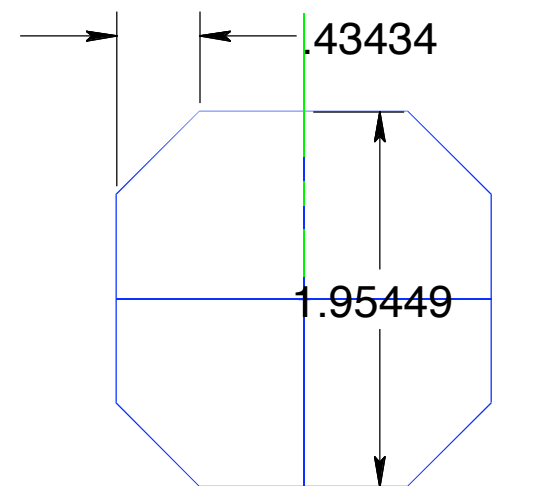
1" circle for reference to terminate material at nose during drawing process



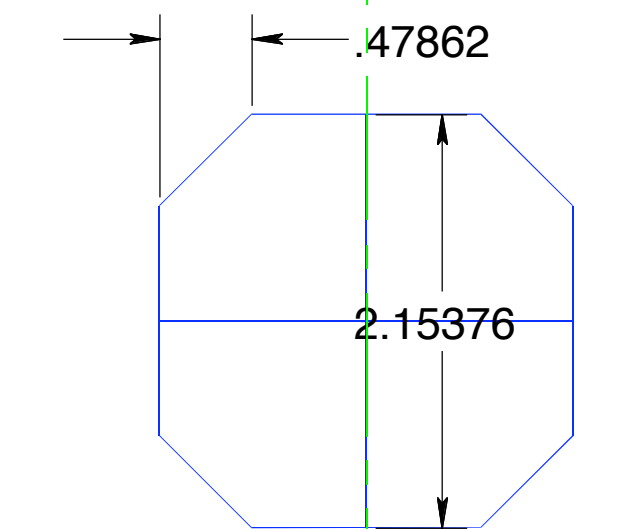
Station 8



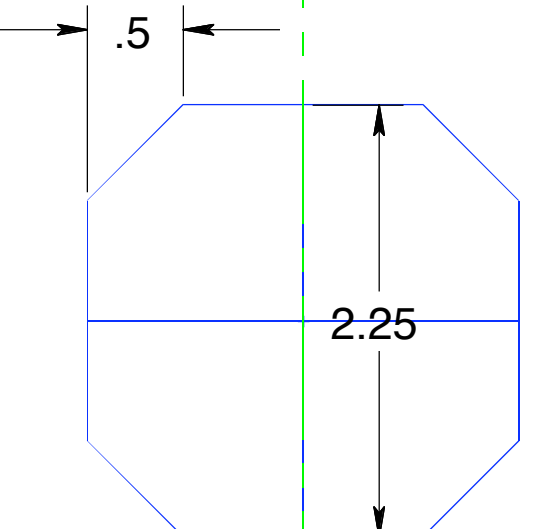
Station 8



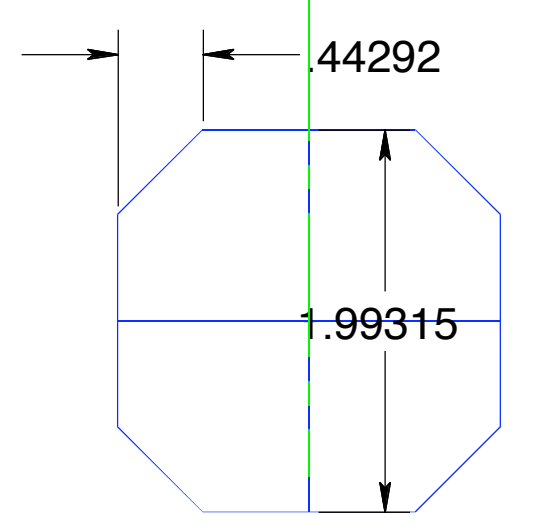
Station 24



Station 32



Station 40



Station 44.511