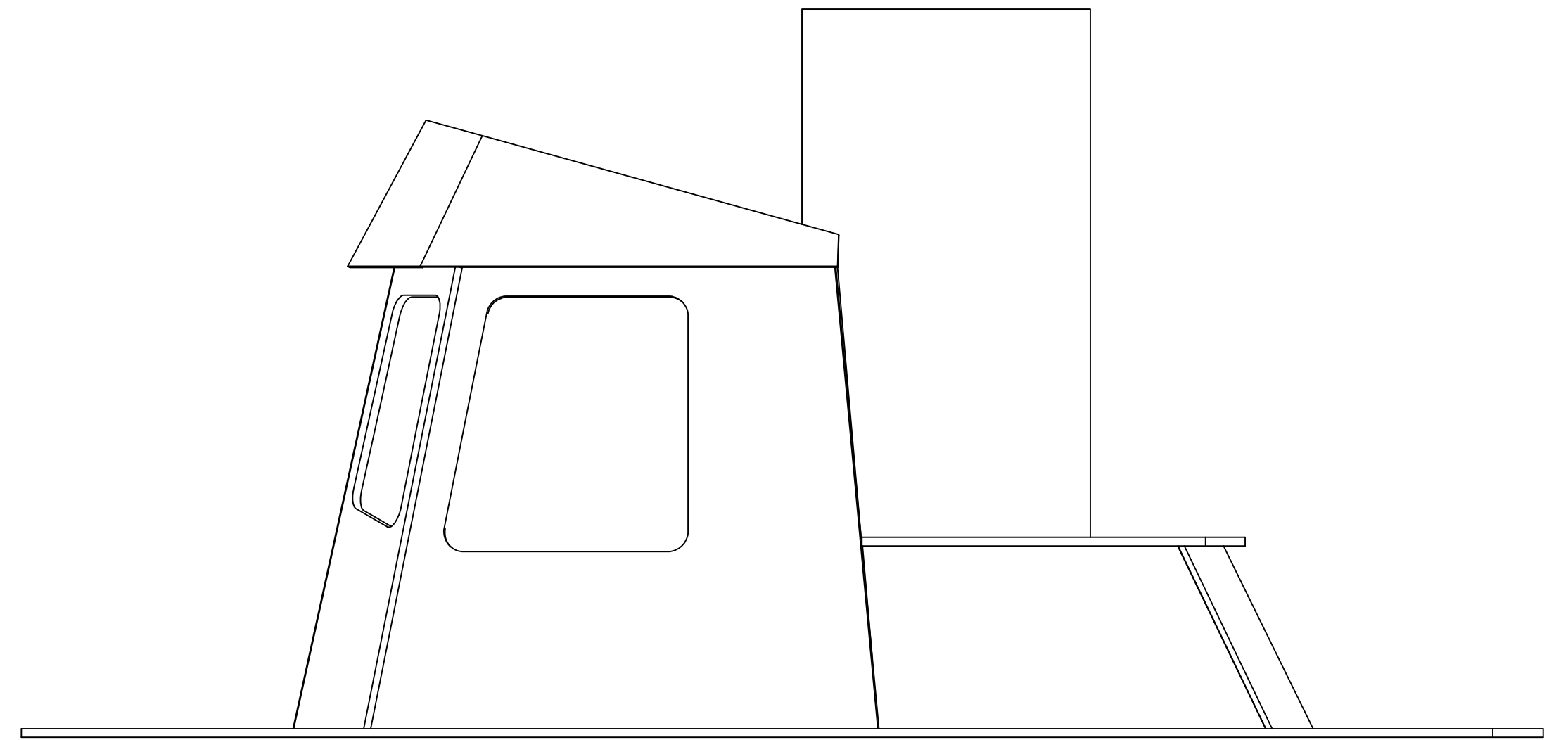
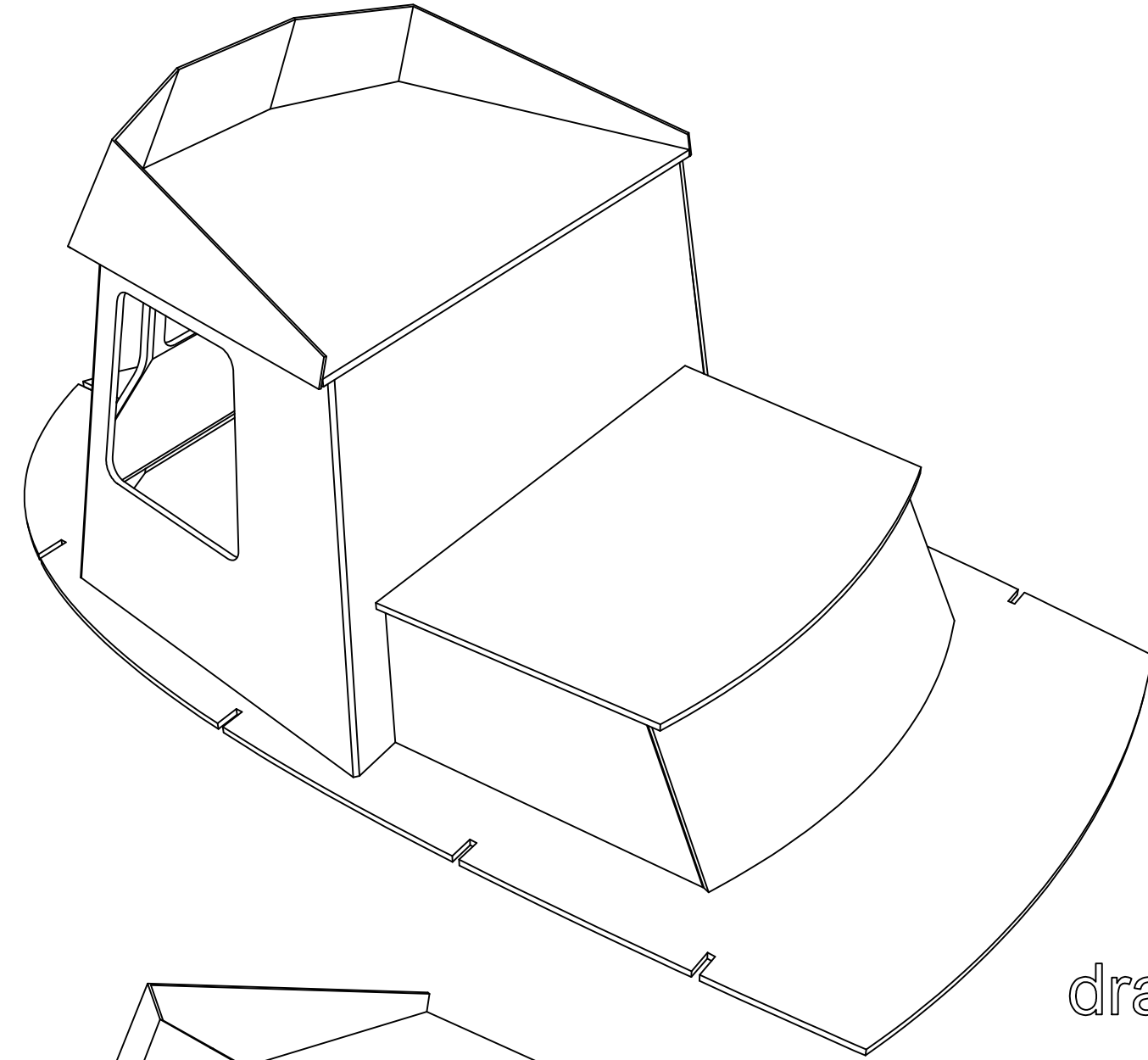
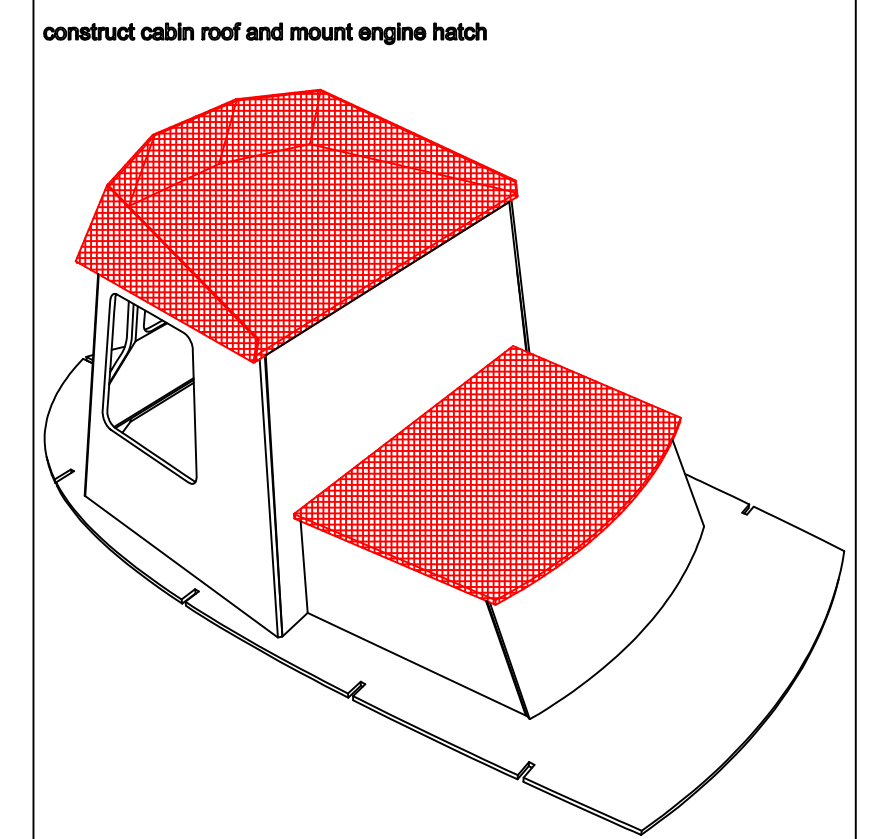
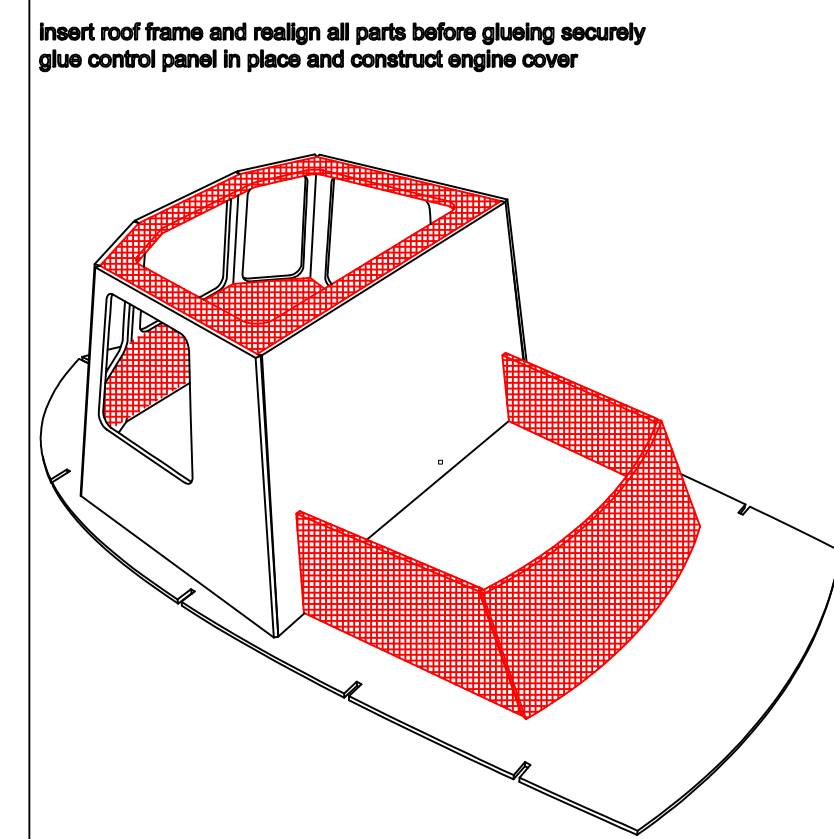
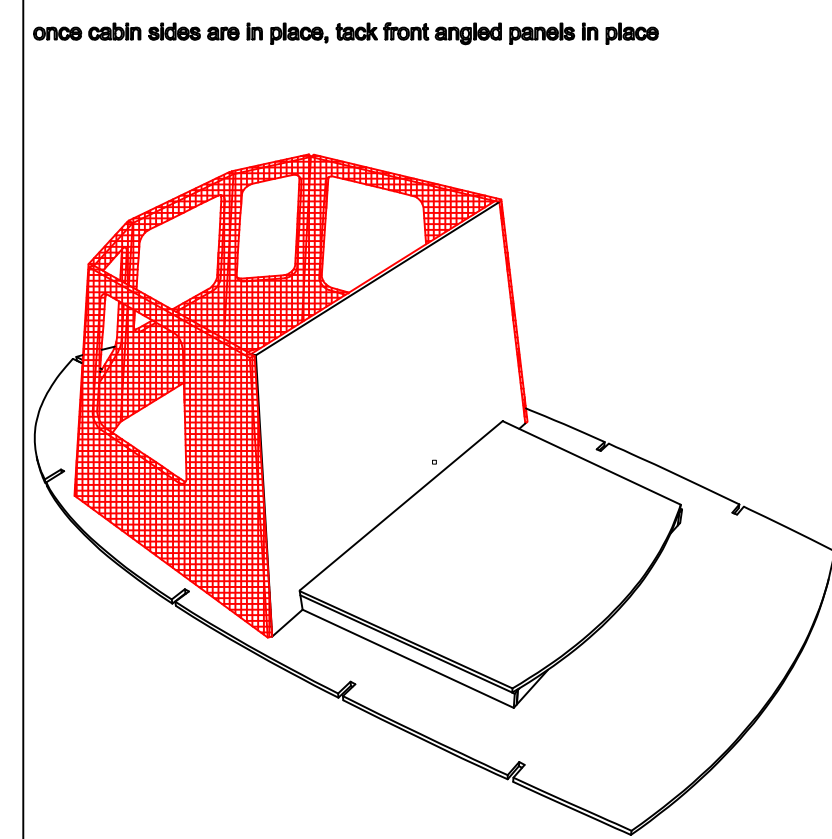
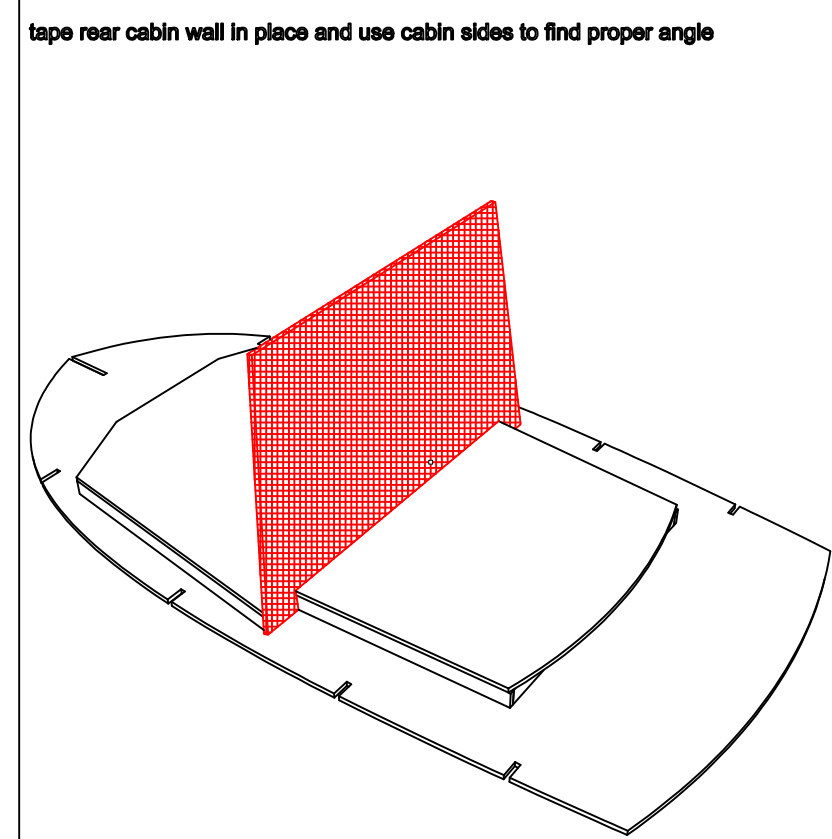
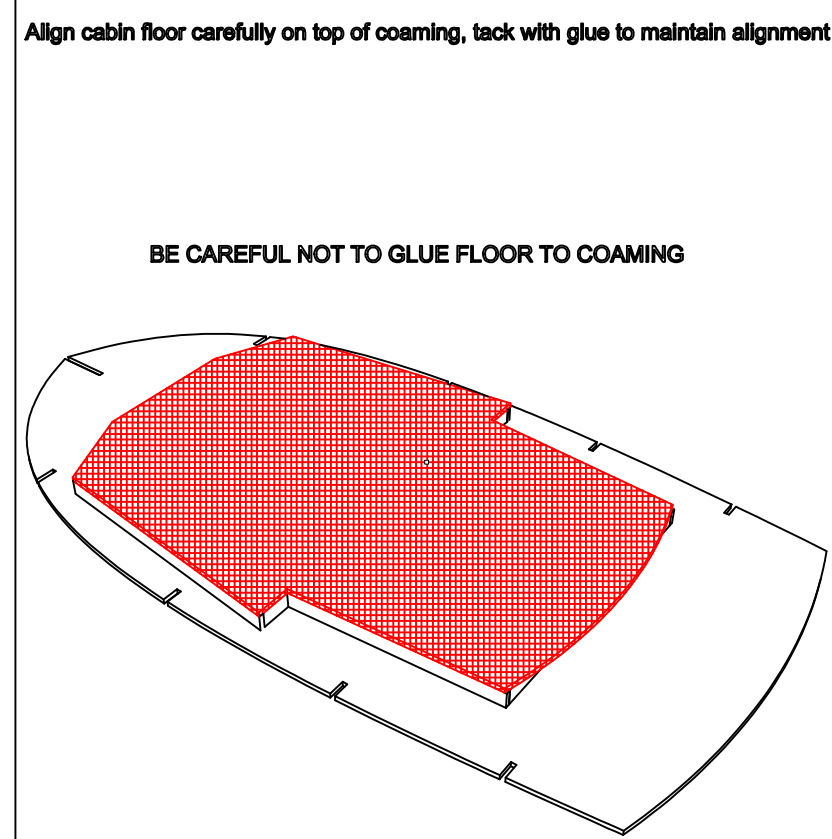
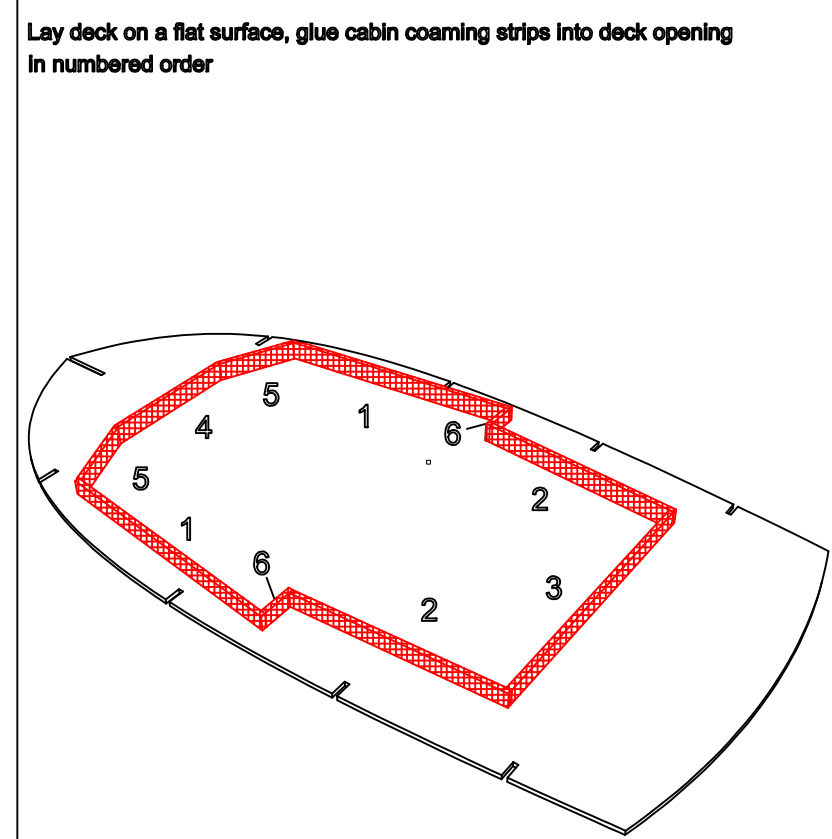
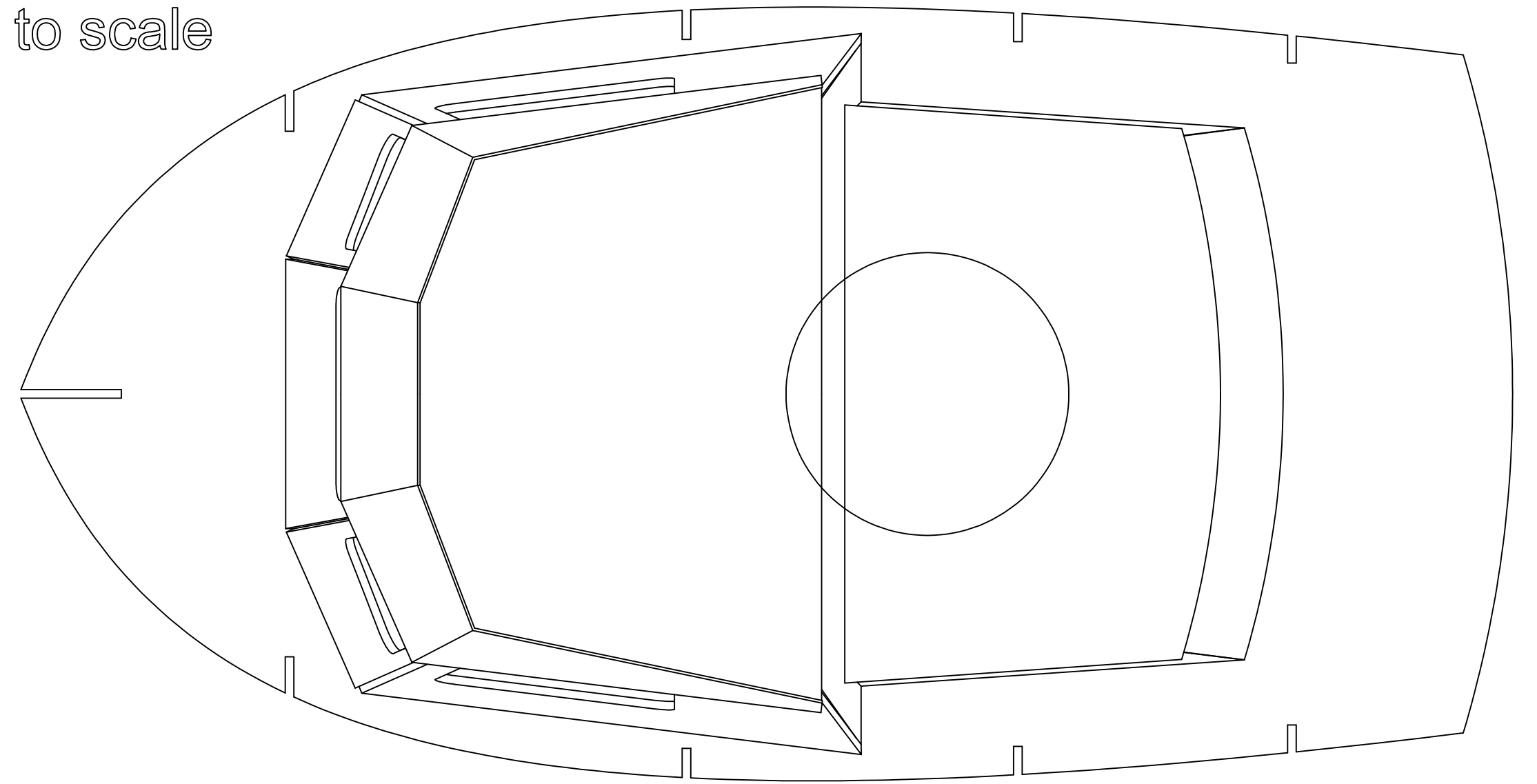
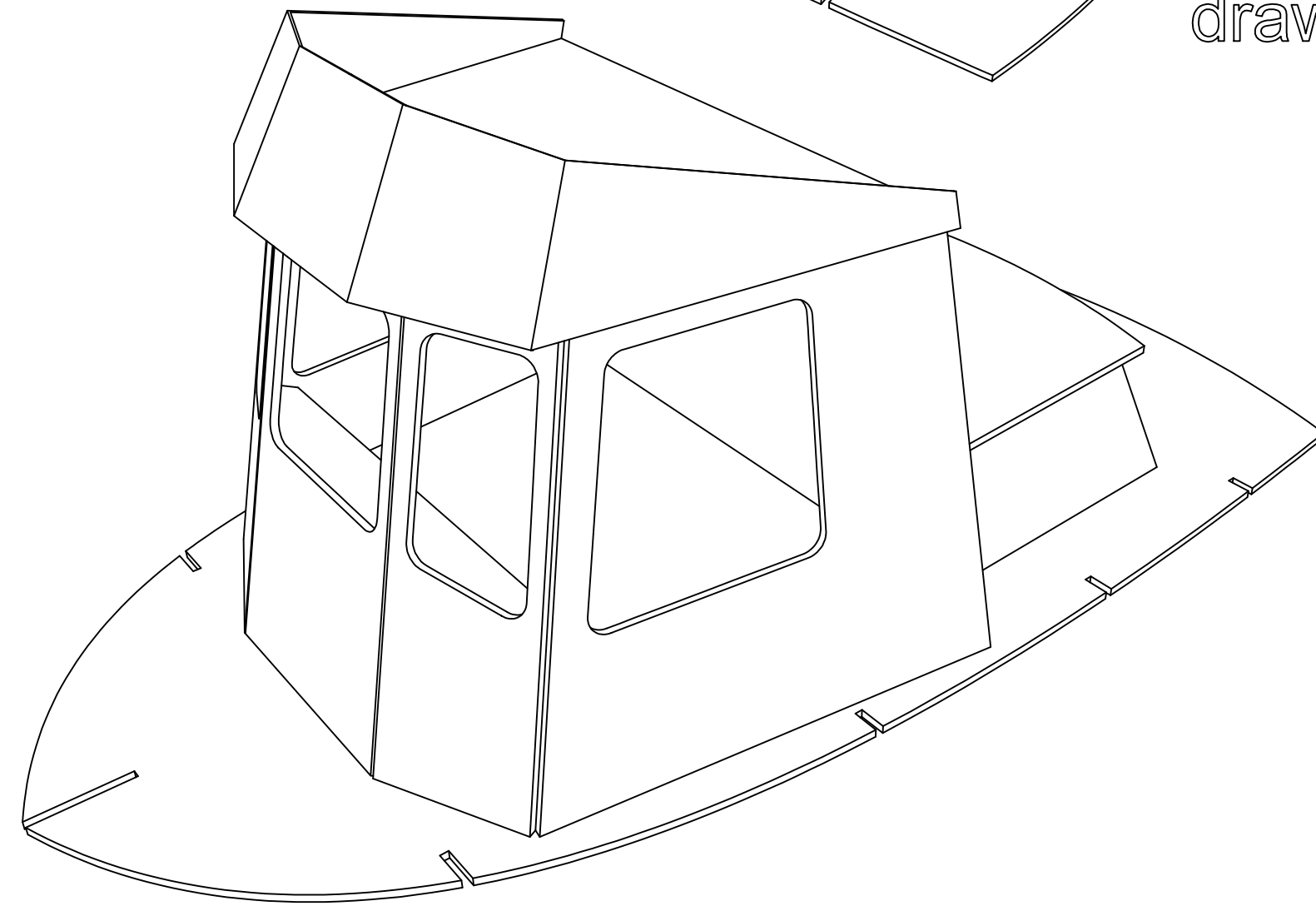


Lil' Salty Tug

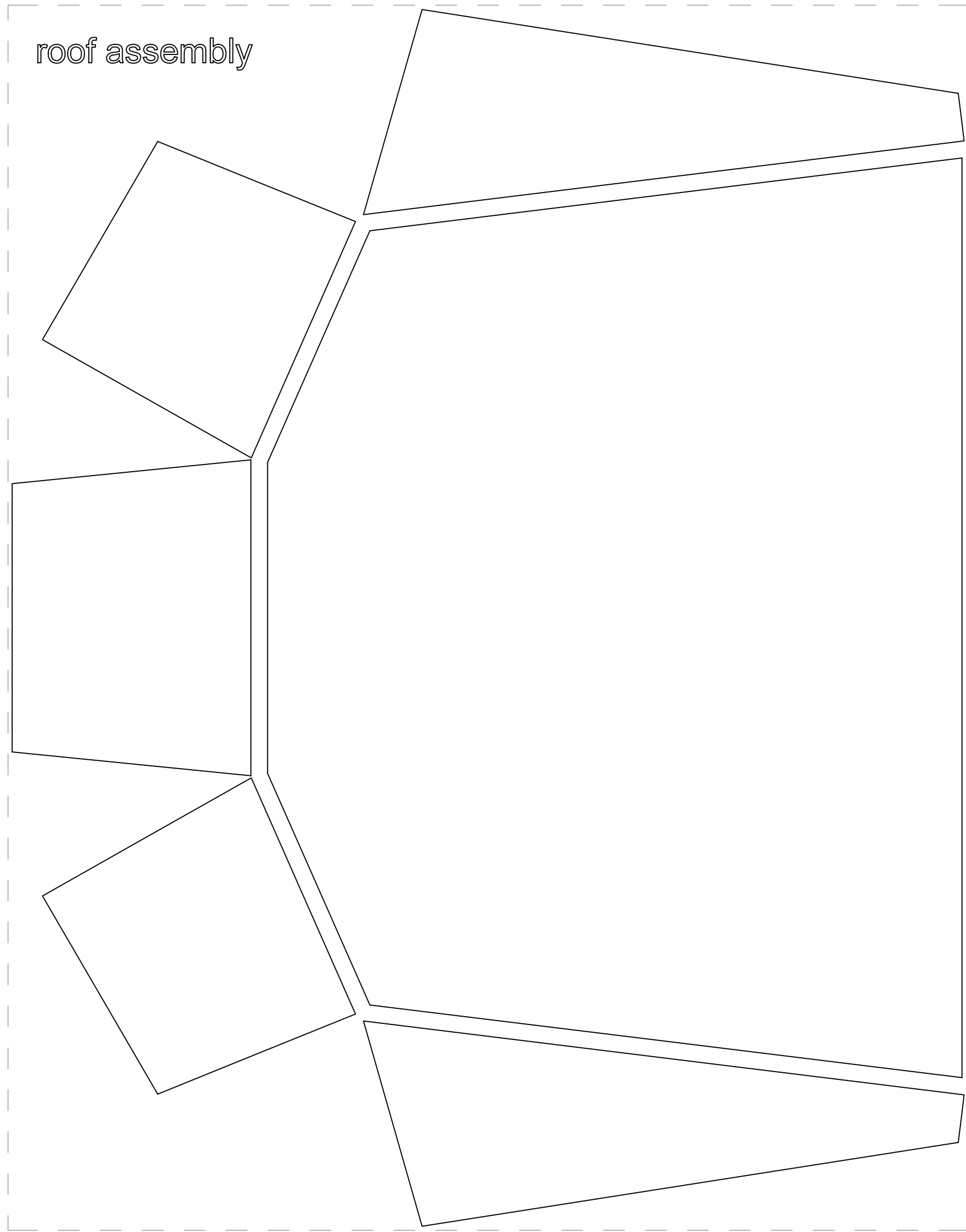
Wheelhouse plans and part outlines
 Designed by Jayjay76
 All parts from 3mm / 1/8" ply



drawing not to scale



roof assembly



1

2

5

6

1

2

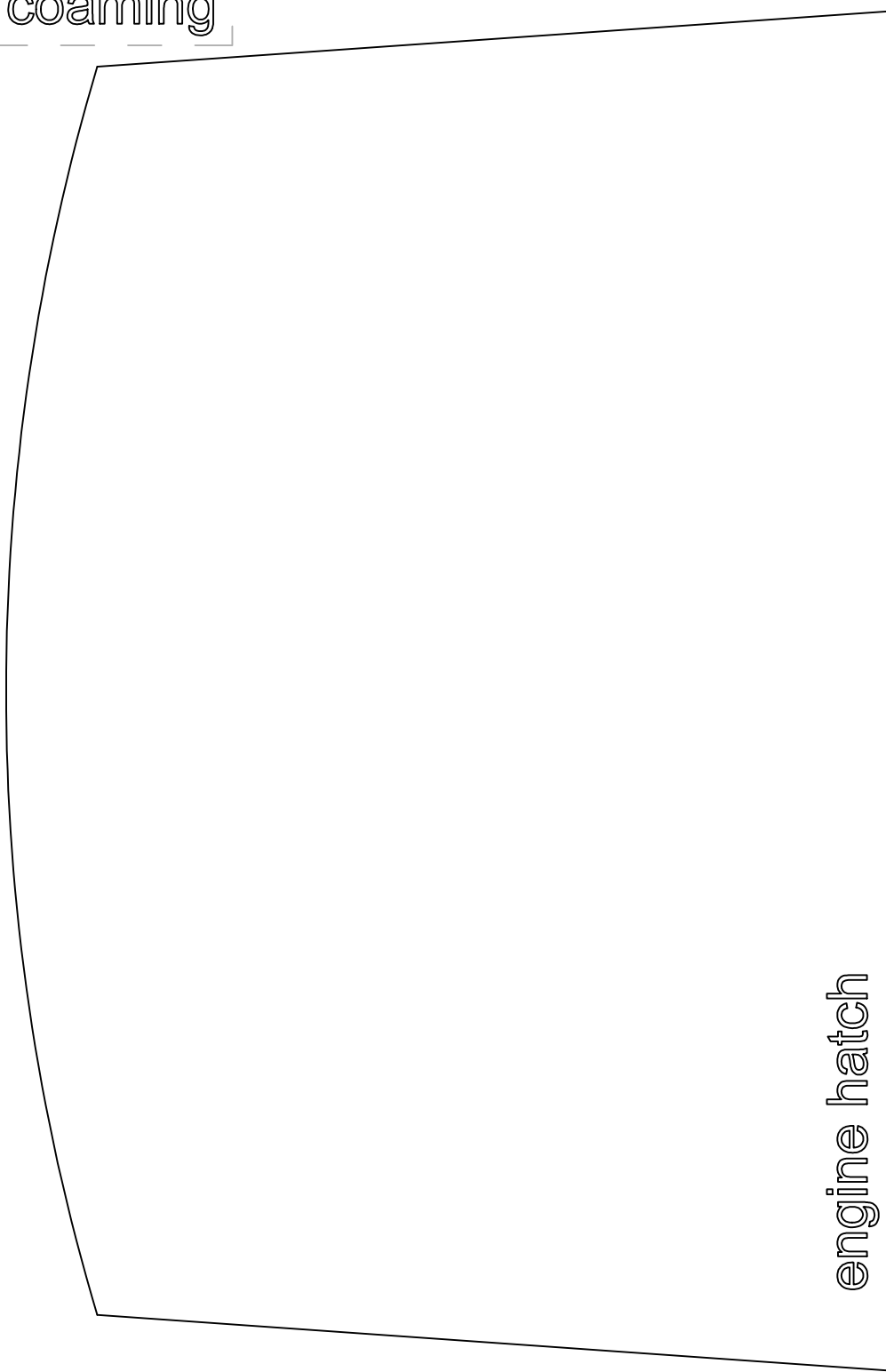
5

6

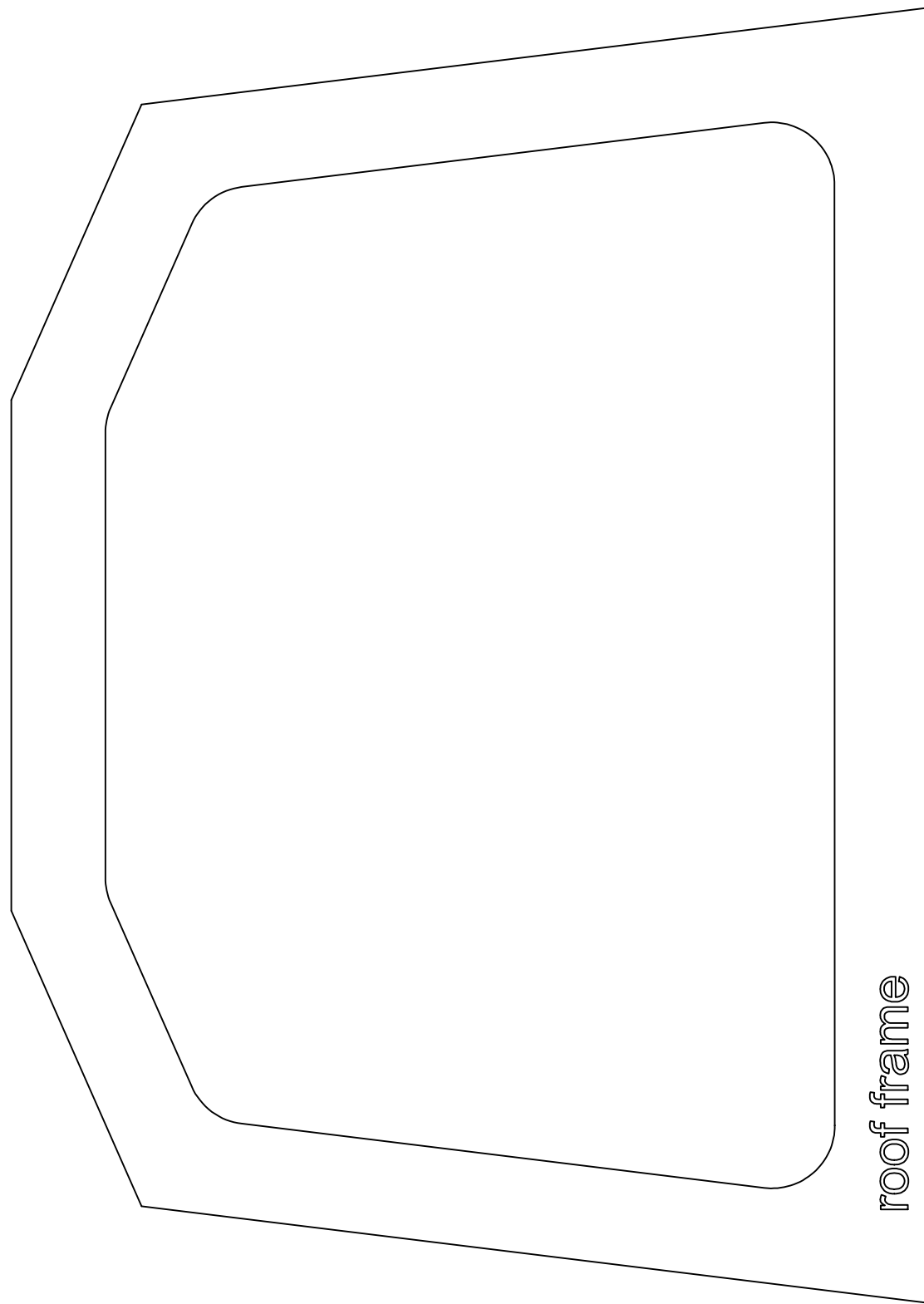
3

4

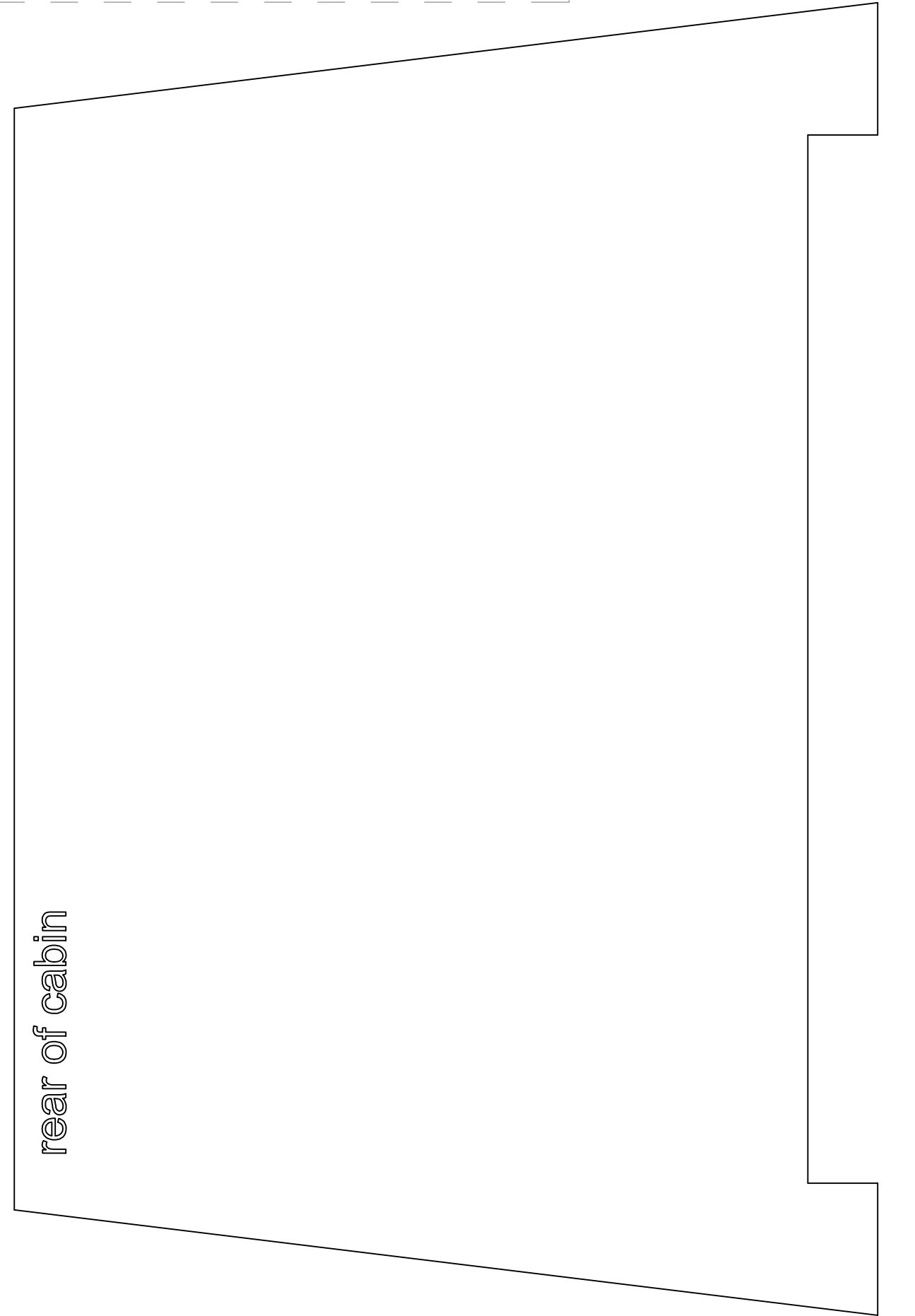
coaming



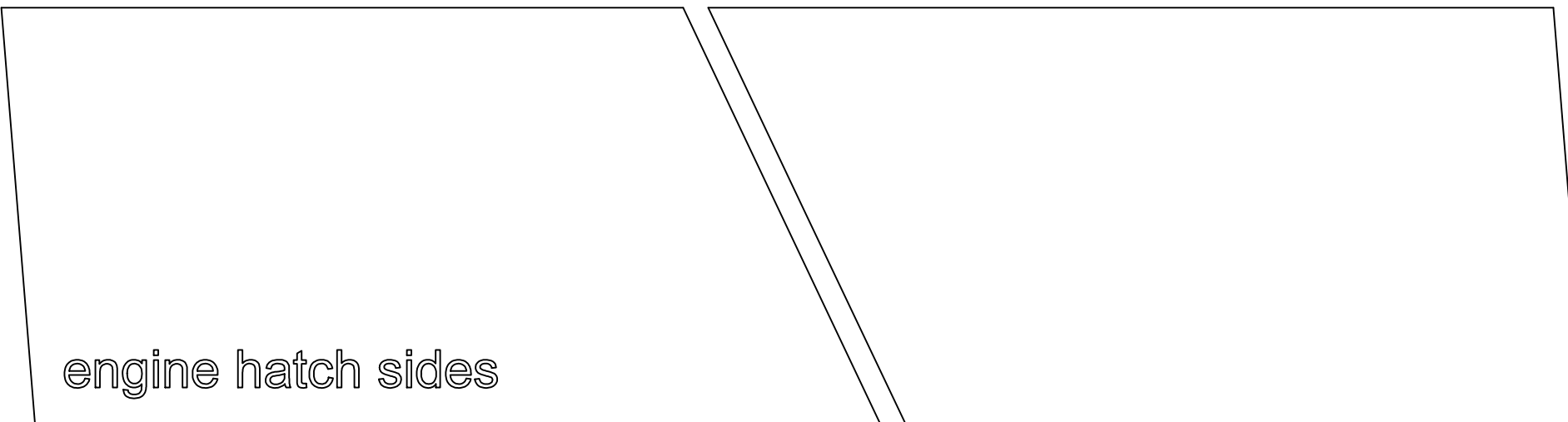
engine hatch



roof frame



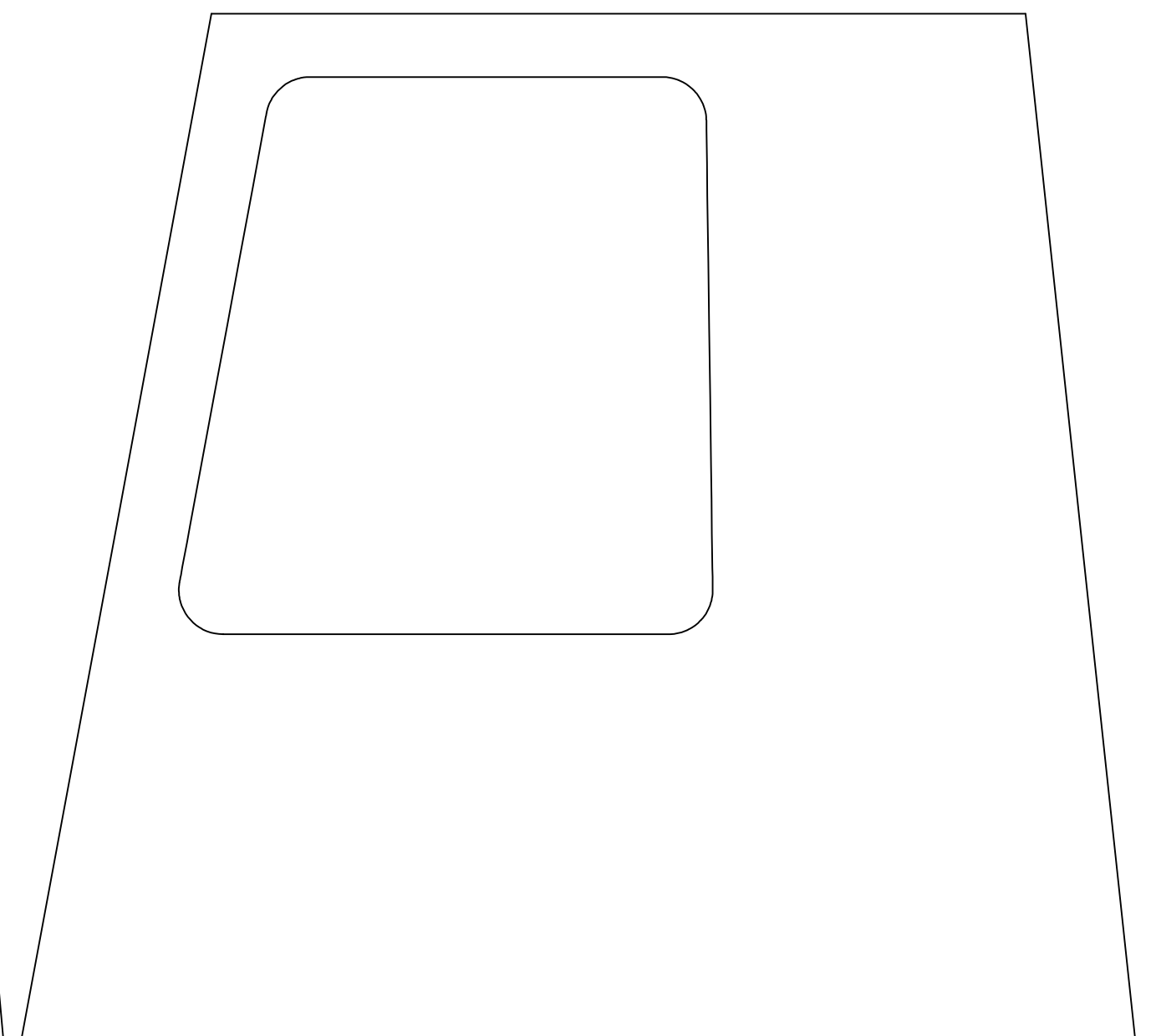
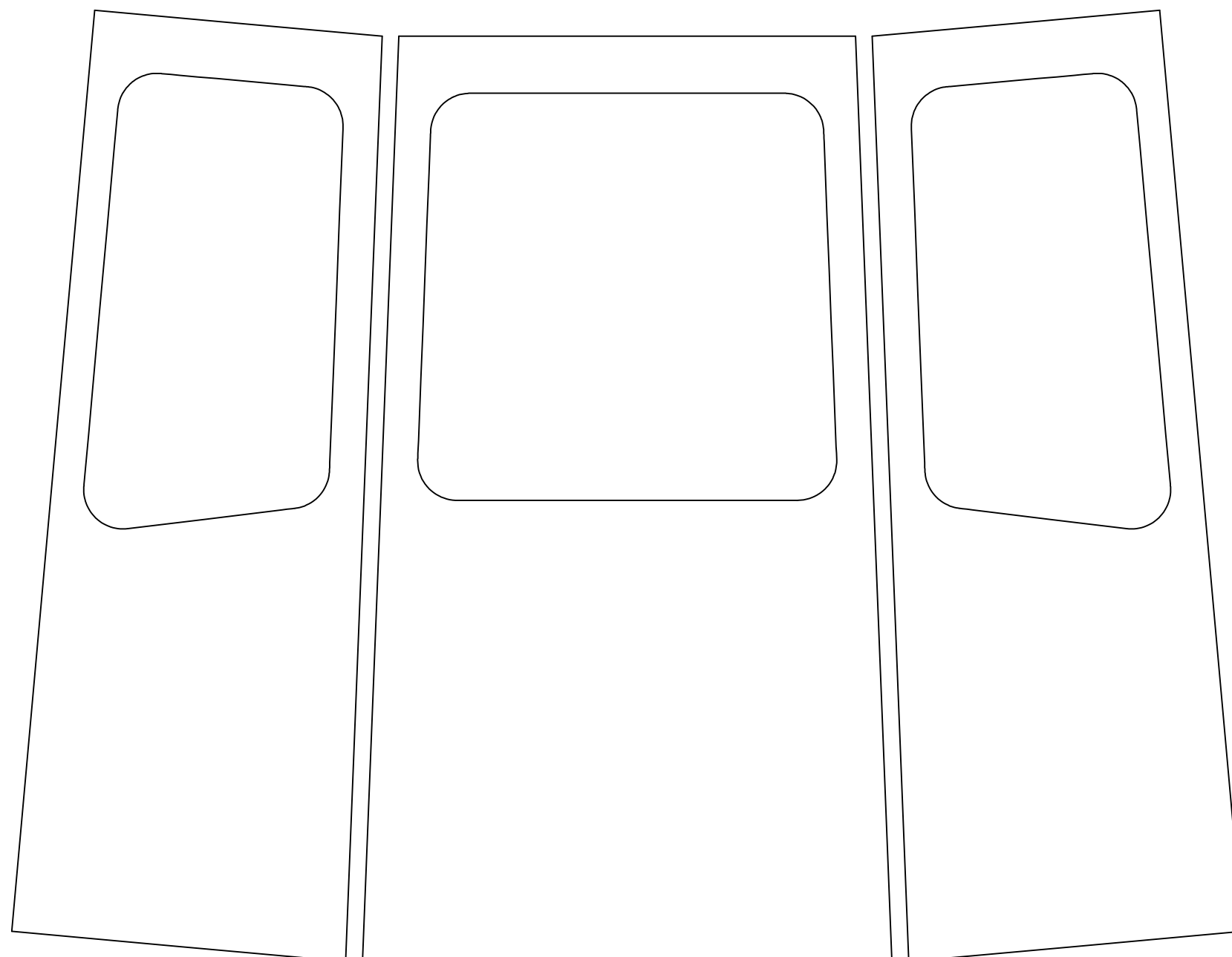
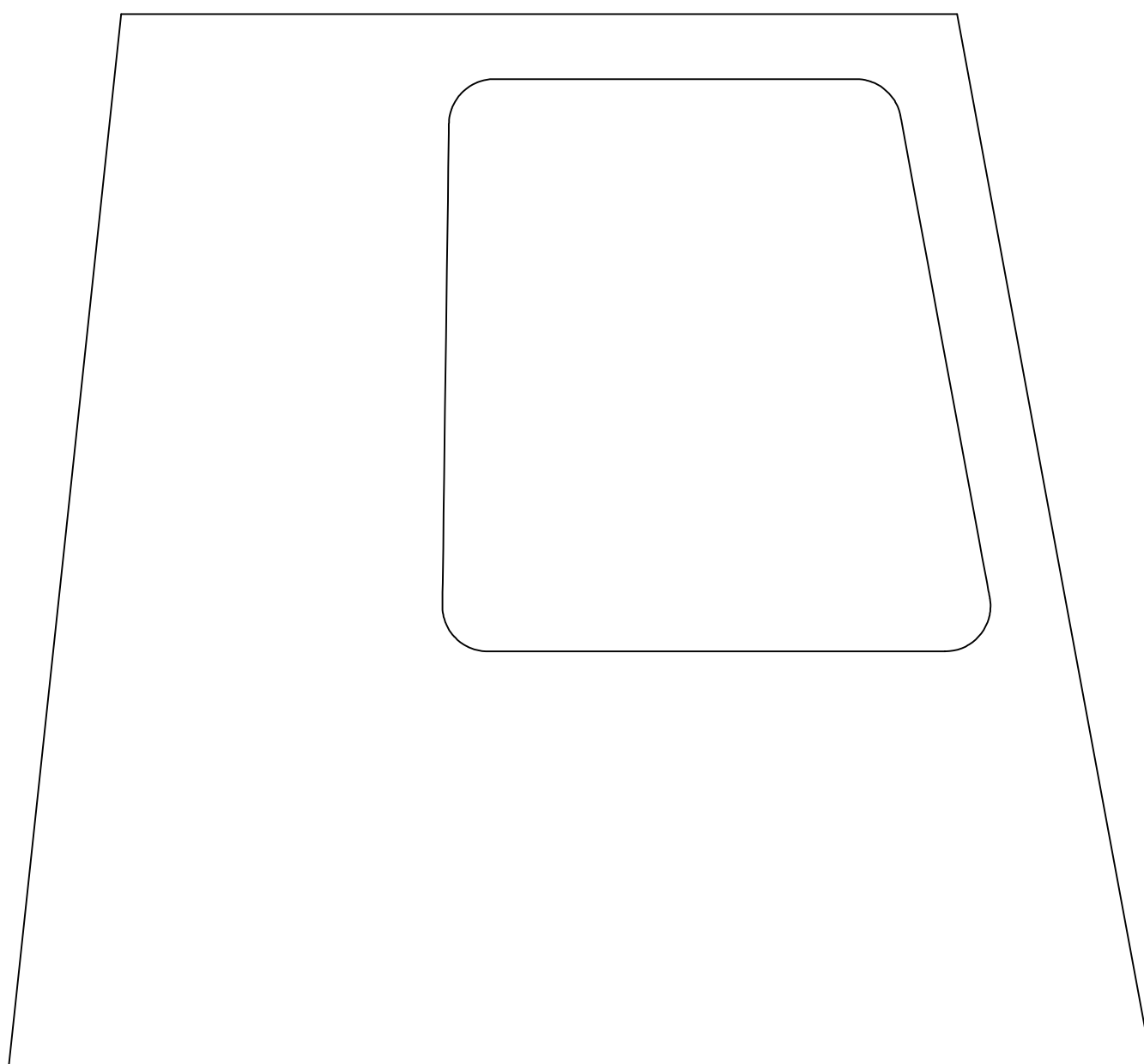
rear of cabin



engine hatch sides



instrument panel



cabin floor

rear of engine hatch

deck
scribe plank lines

5

1

6

2

4

3

5

1

6

2