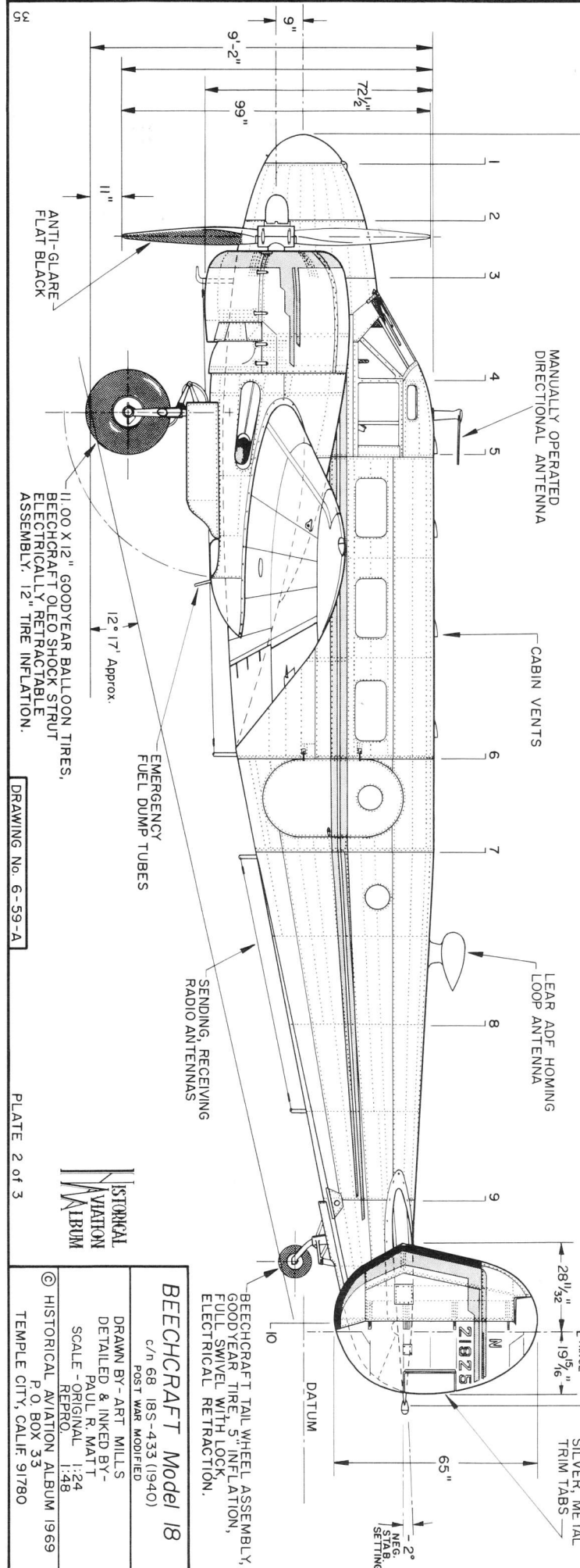
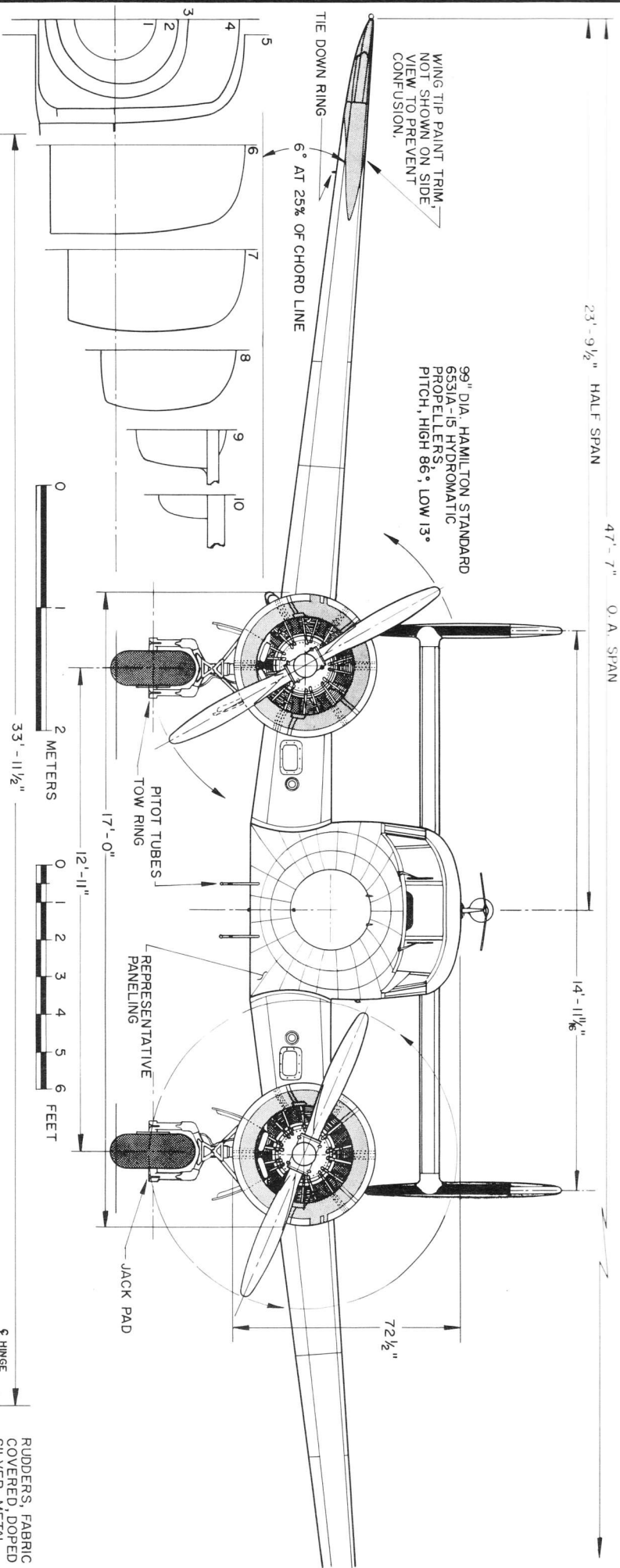


23'-9 1/2" HALF SPAN  
47'-7" O. A. SPAN



34

DRAWING No. 6-59-A

PLATE 2 of 3



**BEECHCRAFT Model 18**

BEECHCRAFT TAIL WHEEL ASSEMBLY,  
GOODYEAR TIRE - 5" INFLATION,  
FULL SWIVEL WITH LOCK,  
ELECTRICAL RETRACTION.

c/n 68 185-433 (1940)  
POST WAR MODIFIED  
DRAWN BY - ART MILLS  
DETAILED & INKED BY -  
PAUL R. MATT  
SCALE - ORIGINAL 1:24  
REPRO. 1:48  
© HISTORICAL AVIATION ALBUM 1969  
P. O. BOX 33  
TEMPLE CITY, CALIF. 91780