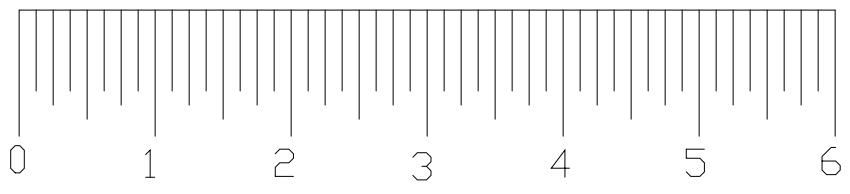


EzFly  
MIDWESTFOAMPLANES.COM  
DESIGN/CAD by Motorhead  
01/05/2010

Scale



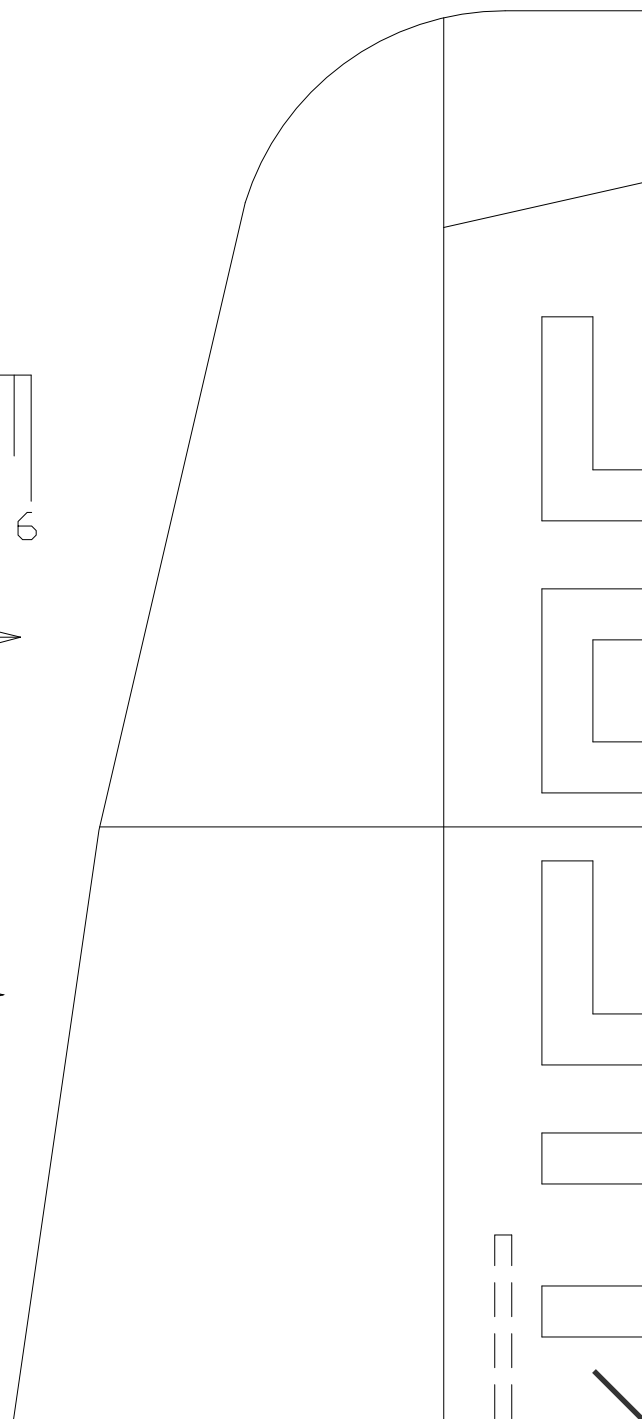
NOTES:

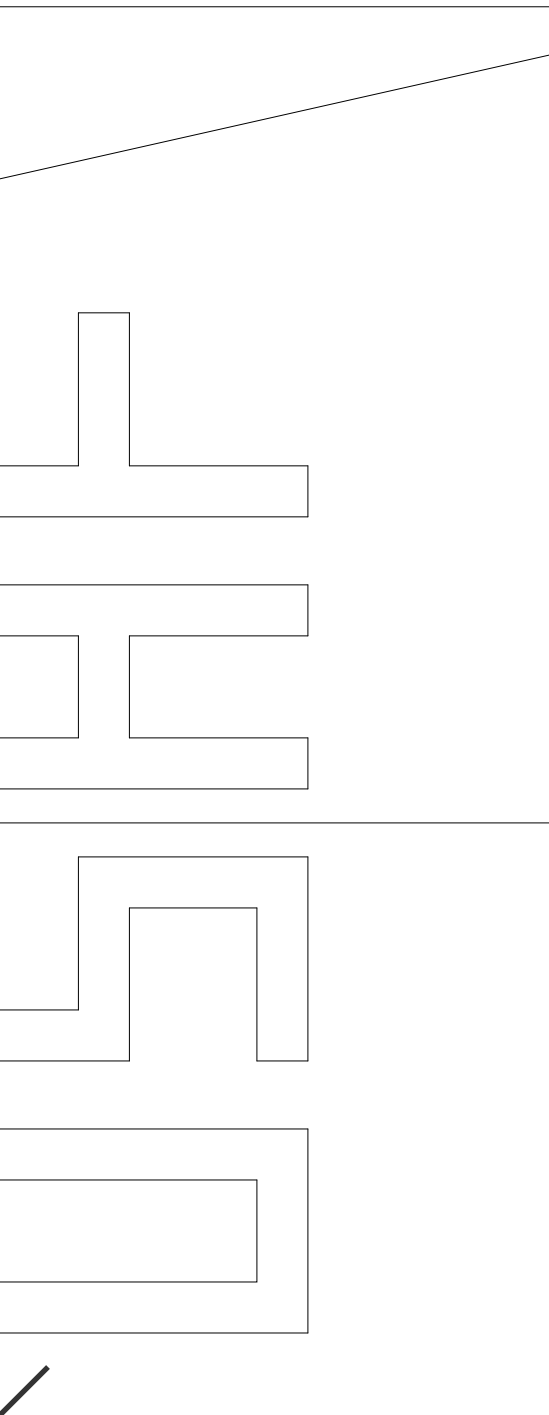
1. ALL CONSTRUCTION FROM 9MM 1.3 LB EPP.

COMPONENTS:

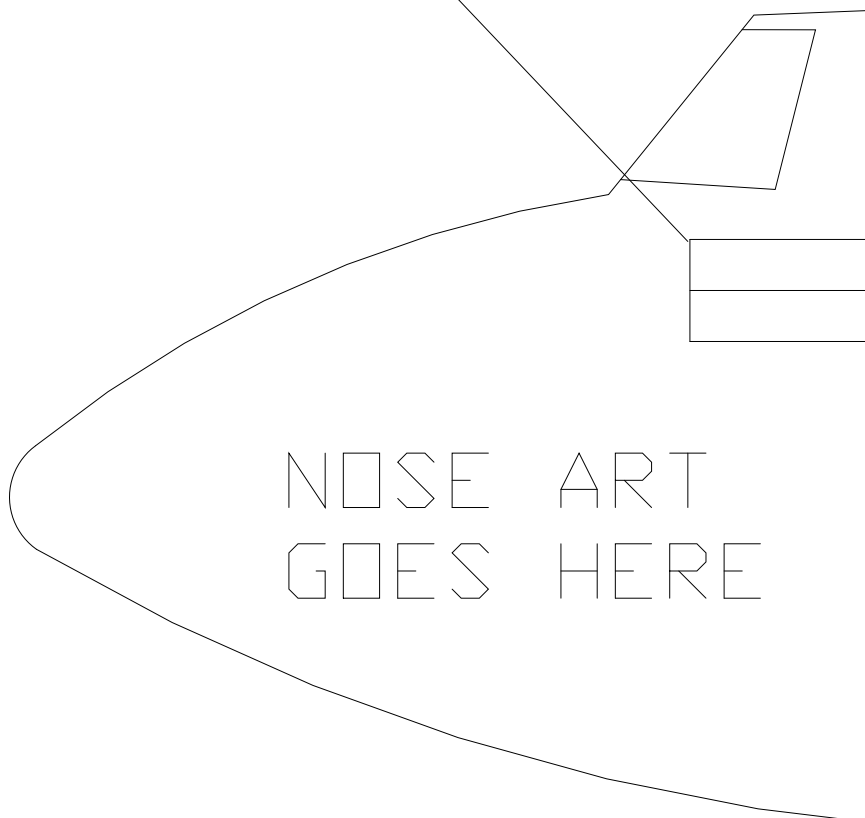
- 2730-1500 KV MOTOR
- 6X3 PROP
- 2 X 5 OZ SERVOS
- 10 A SPEED CONTROL
- 3MM X 14" SPAR TUBE

"A-A"



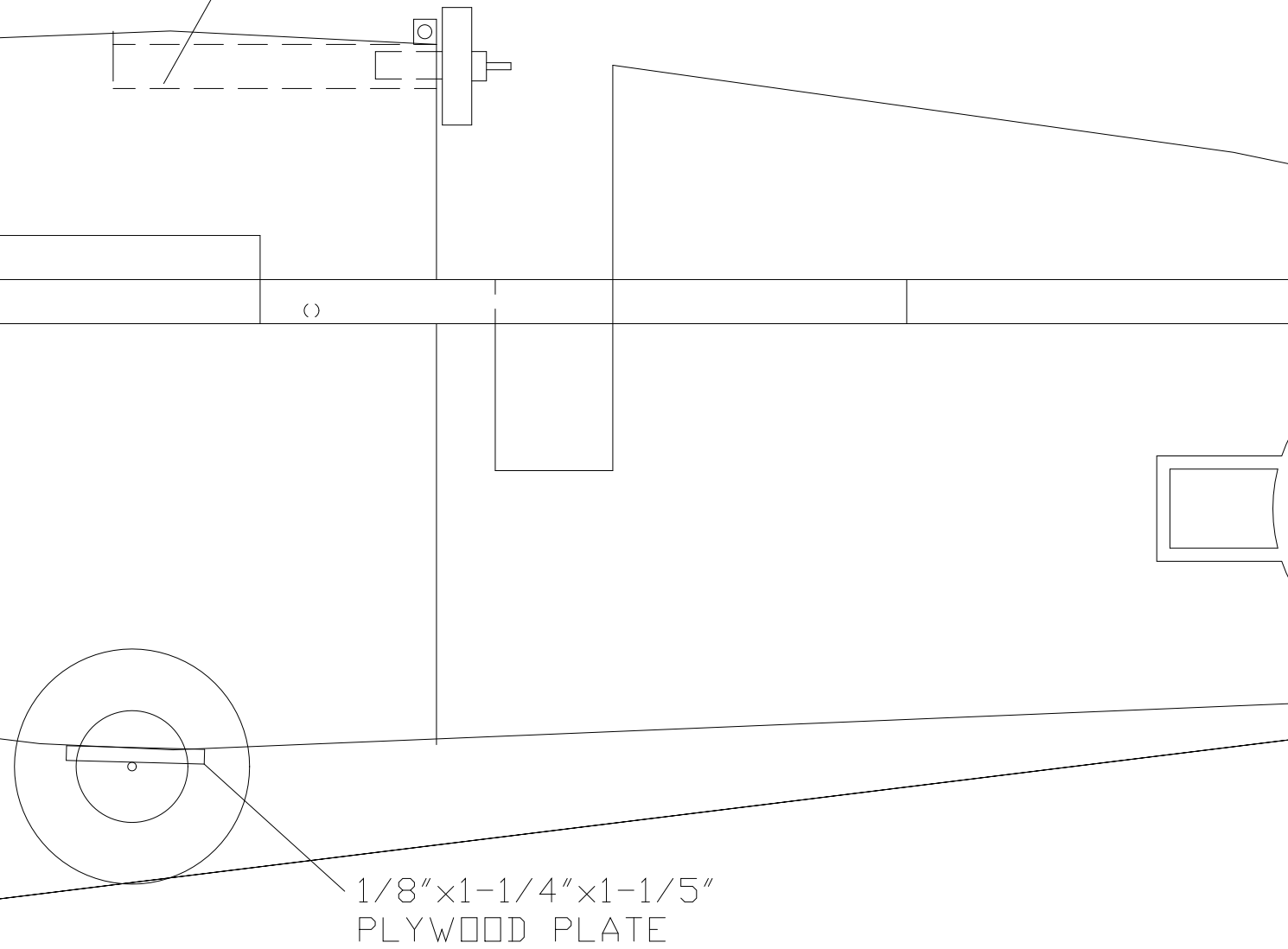


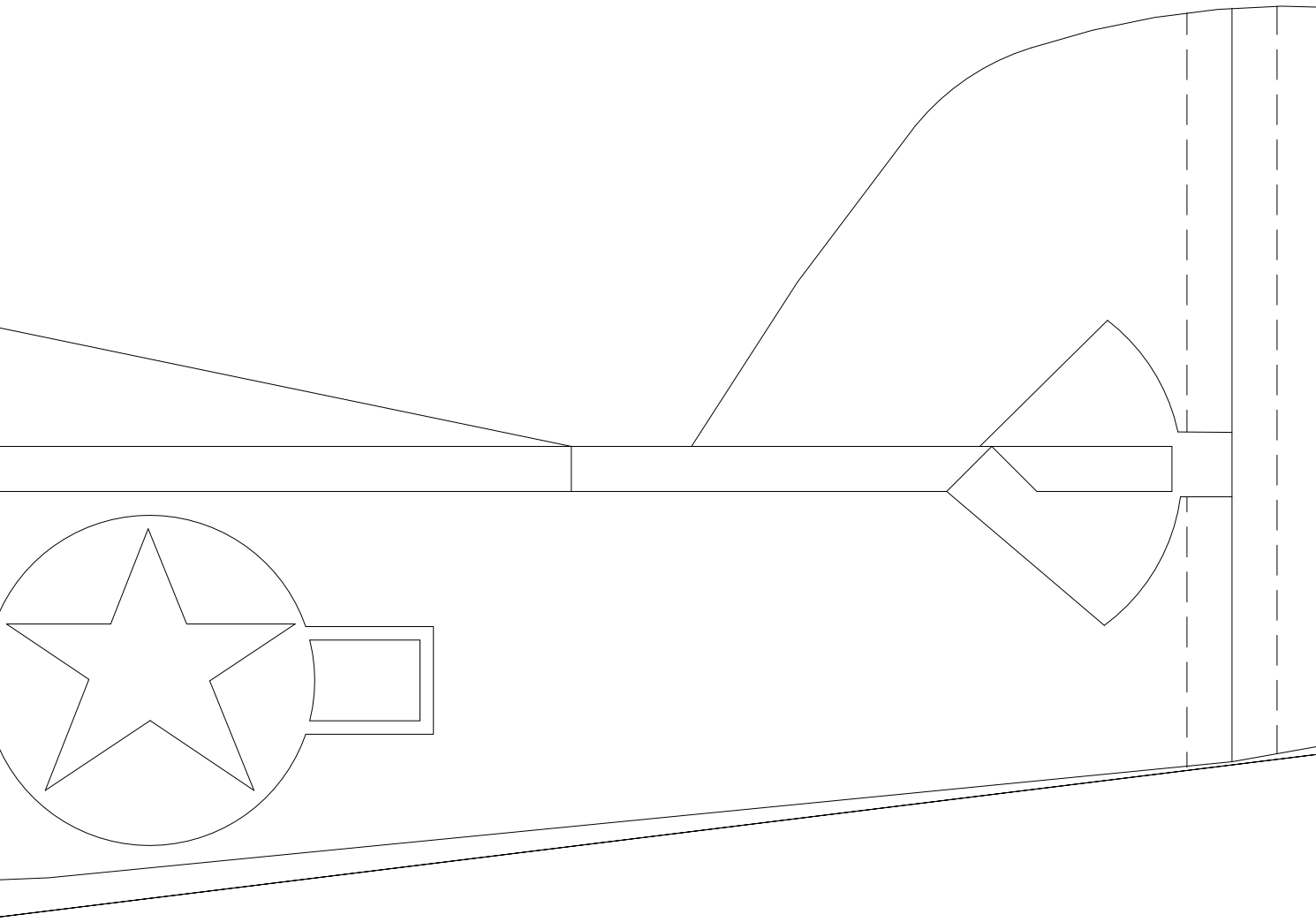
KF DOUBLER

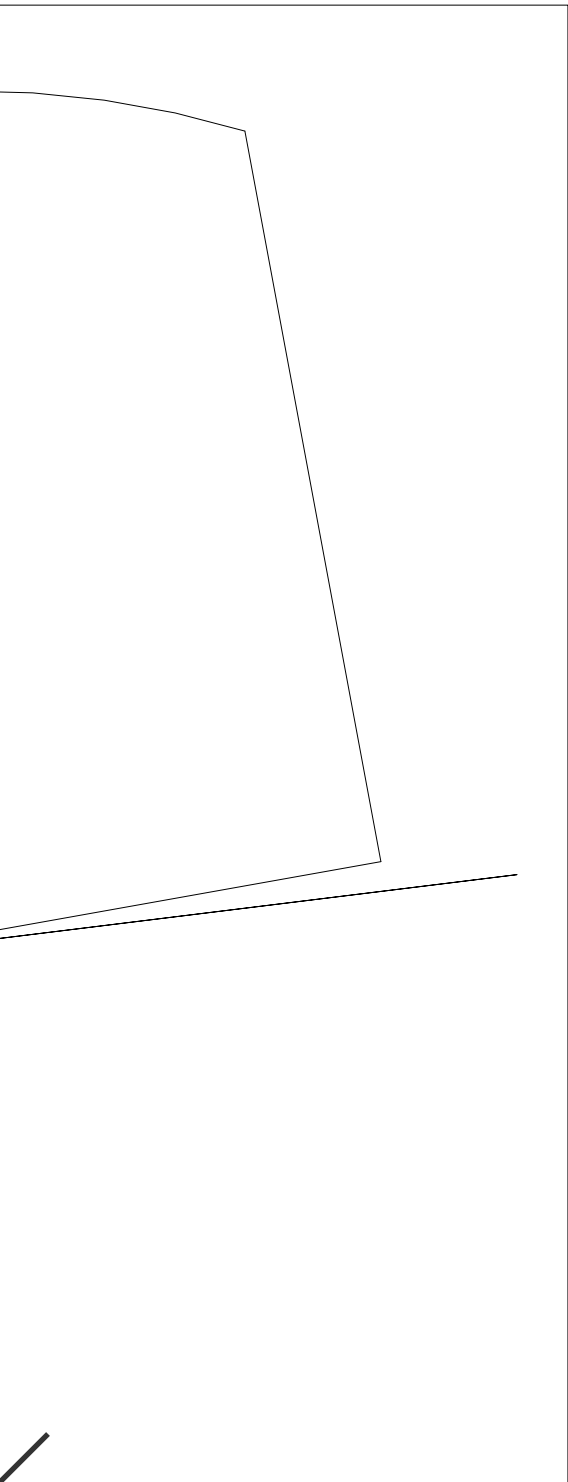


NOSE ART  
GOES HERE

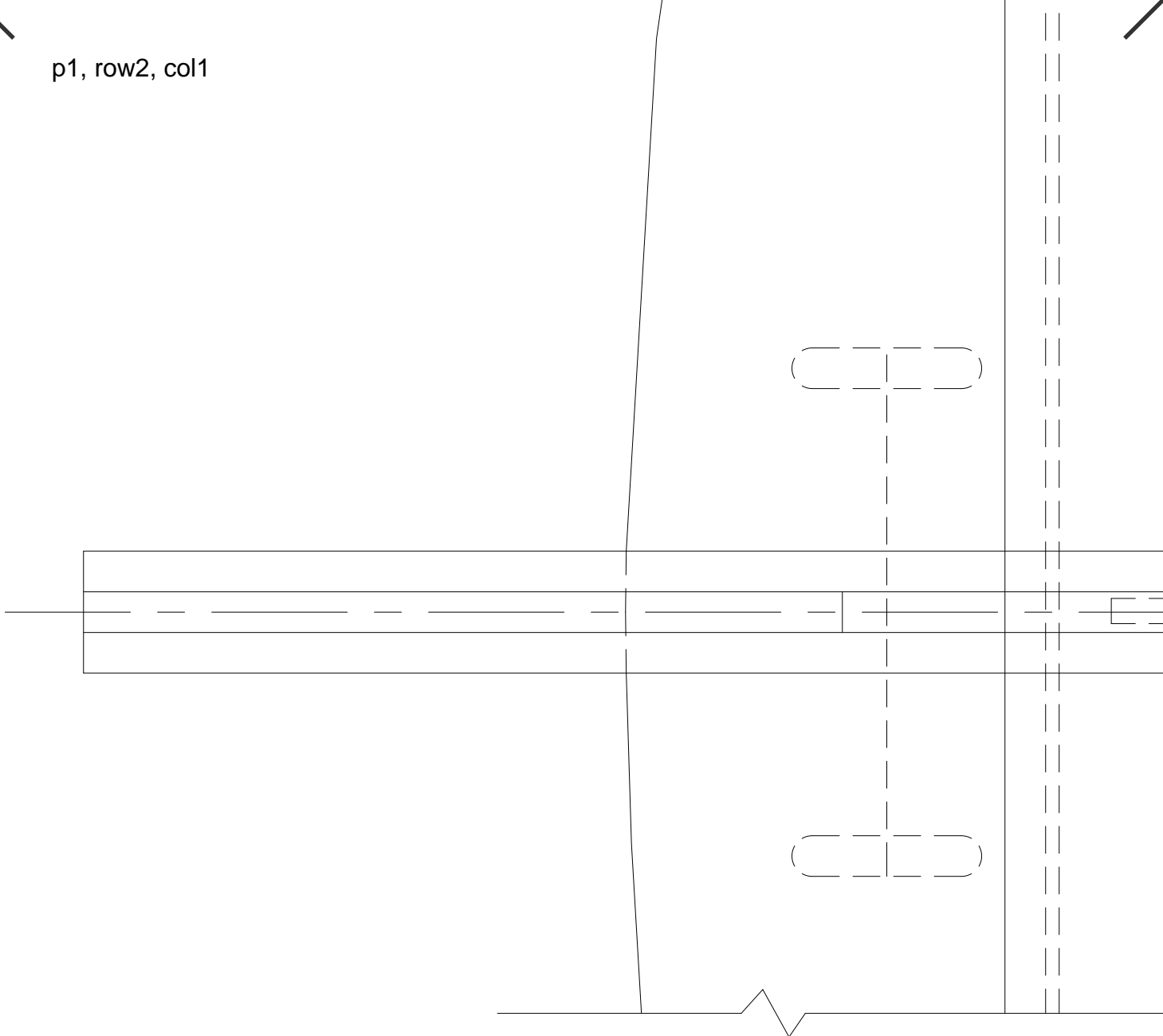
NOTCH FOR MOTOR STICK  
IN CENTER PIECE ONLY



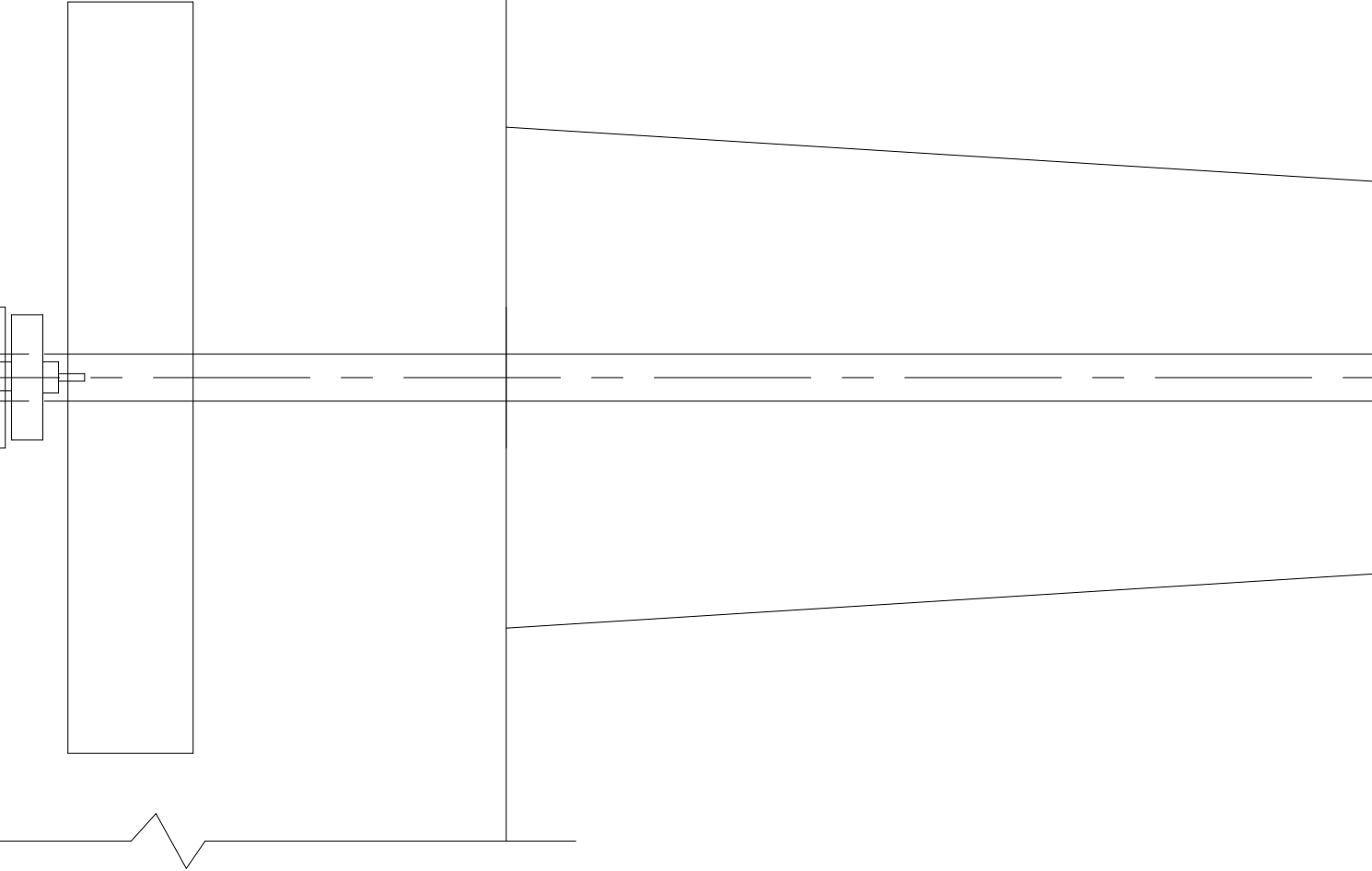




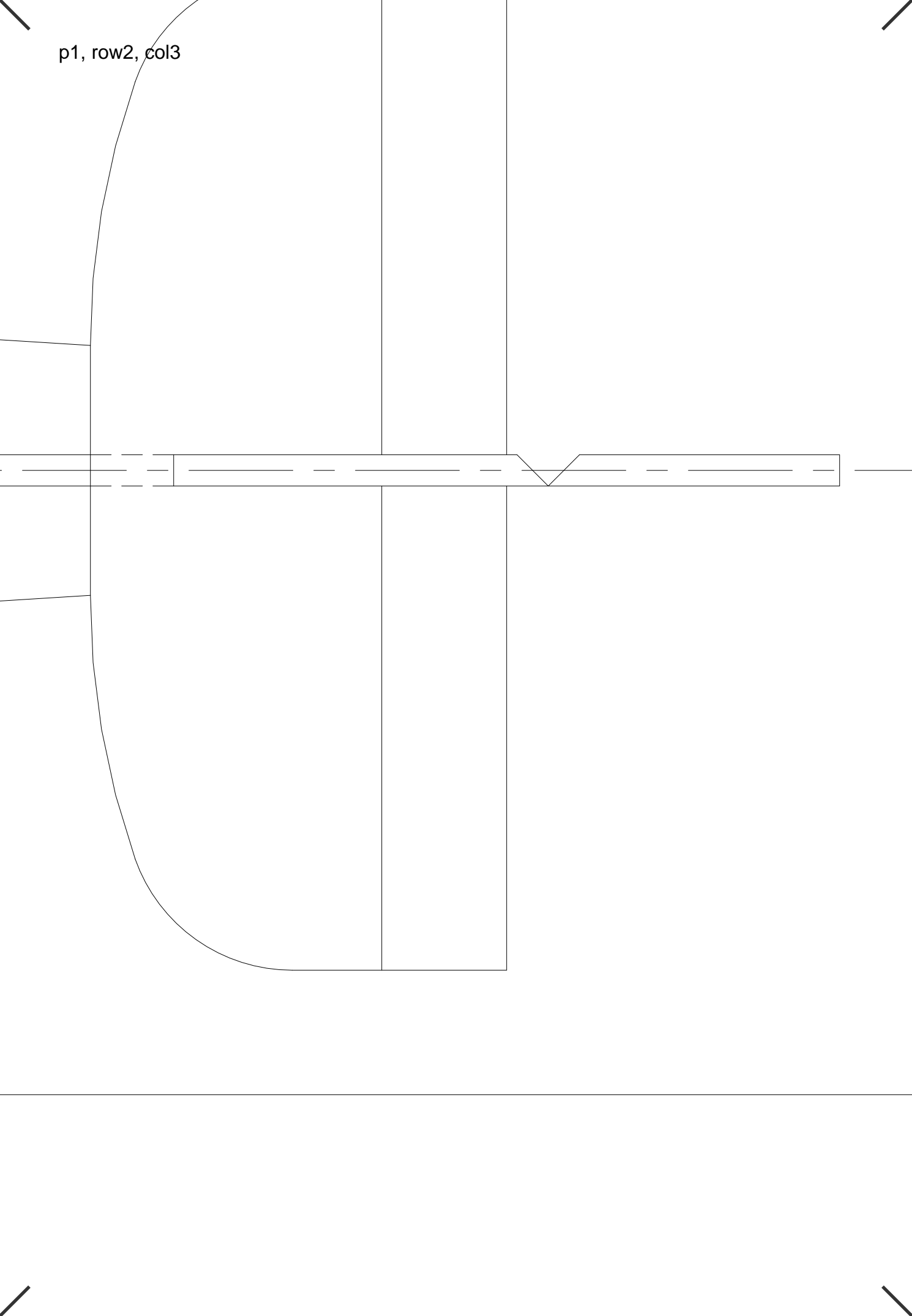
p1, row2, col1



p1, row2, col2

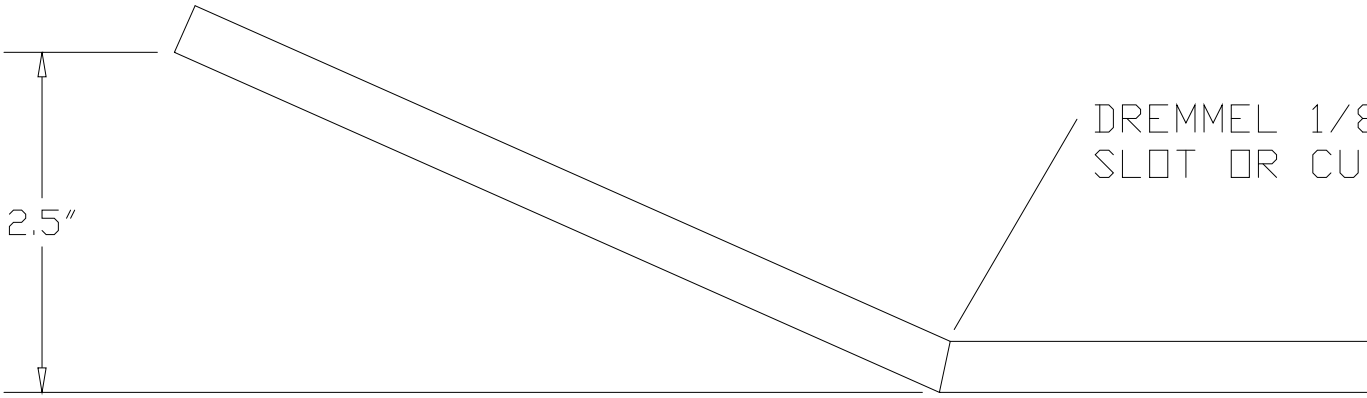


p1, row2, col3





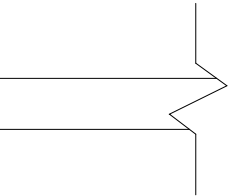
C/L



SECTION "A-A"

p1, row2, col5

3" WIDE X 1/4"  
CUT OFF AND BEVEL



p1, row3, col1

p1, row3, col2

p1, row3, col3

p1, row3, col4

p1, row3, col5