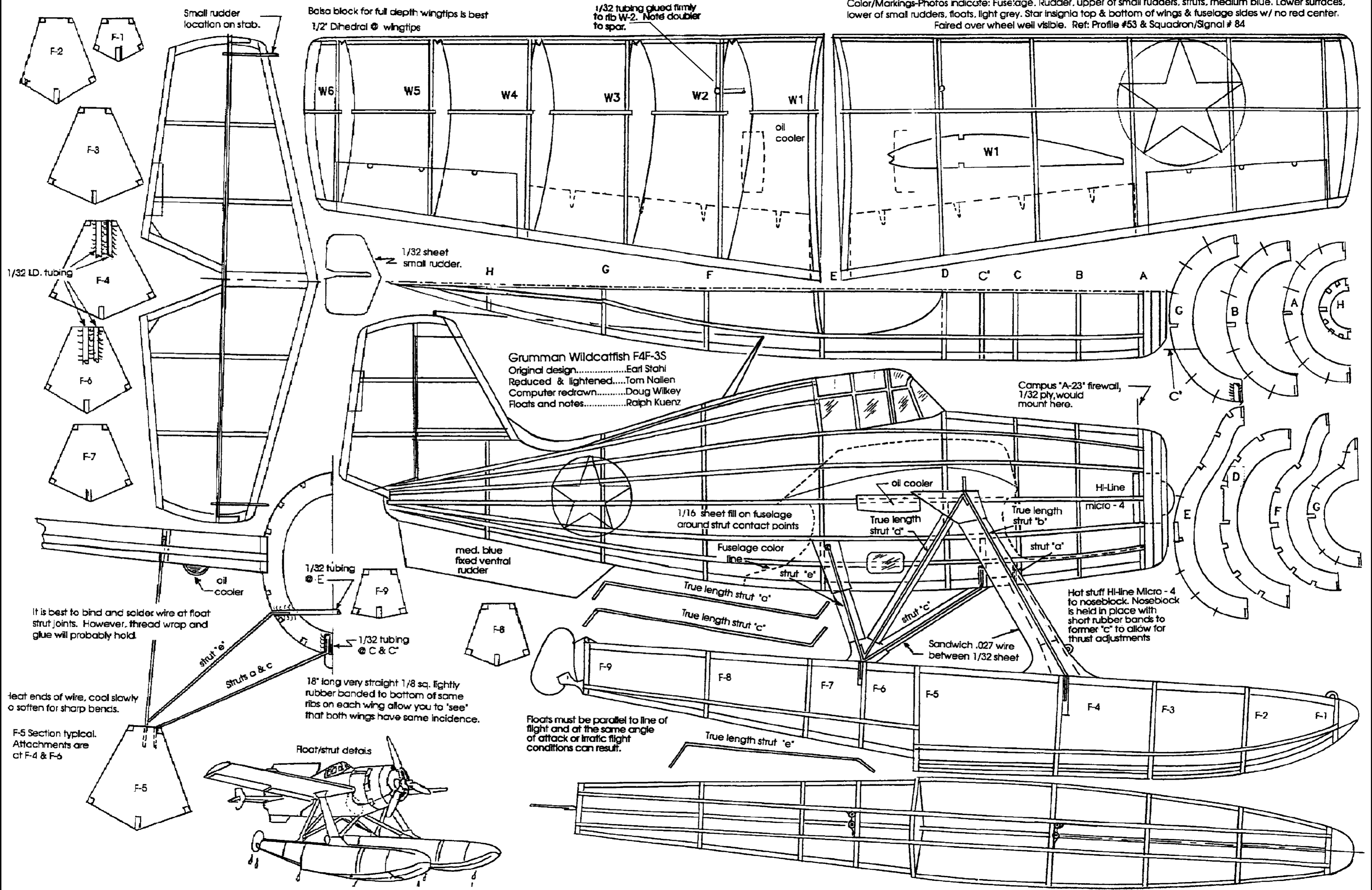


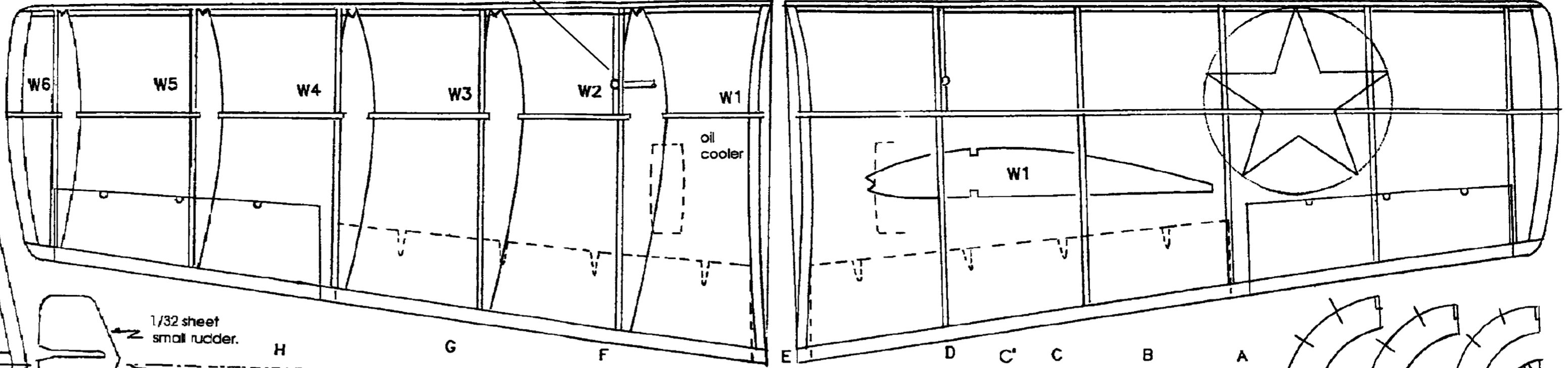
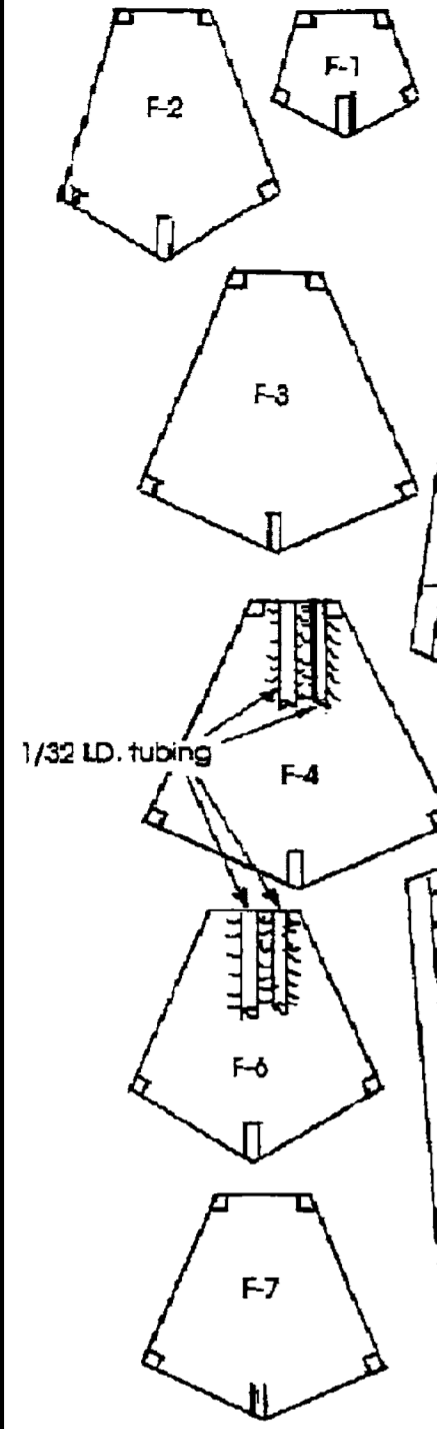
Color/Markings-Photos indicate: Fuse:age. Rudder, upper of small rudders, struts, medium blue. Lower surfaces, lower of small rudders, floats, light grey. Star insignia top & bottom of wings & fuselage sides w/ no red center. Faired over wheel well visible. Ref: Profile #53 & Squadron/Signal # 84



Balsa block for full depth wingtips is best
1/2" Dihedral @ wingtips

1/32 tubing glued firmly to rib W-2. Note doubler to spar.

Small rudder location on stab.



1/32 sheet small rudder.

Grumman Wildcatfish F4F-3S
Original design.....Earl Stahl
Reduced & lightened.....Tom Nallen
Computer redrawn.....Doug Wilkey
Floats and notes.....Ralph Kuenz

Campus "A-23" firewall, 1/32 ply, would mount here.

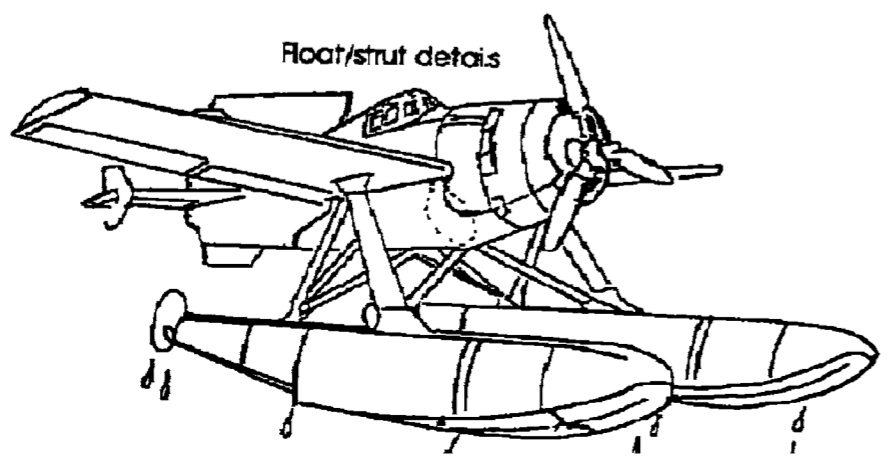
It is best to bind and solder wire at float strut joints. However, thread wrap and glue will probably hold.

Heat ends of wire, cool slowly to soften for sharp bends.

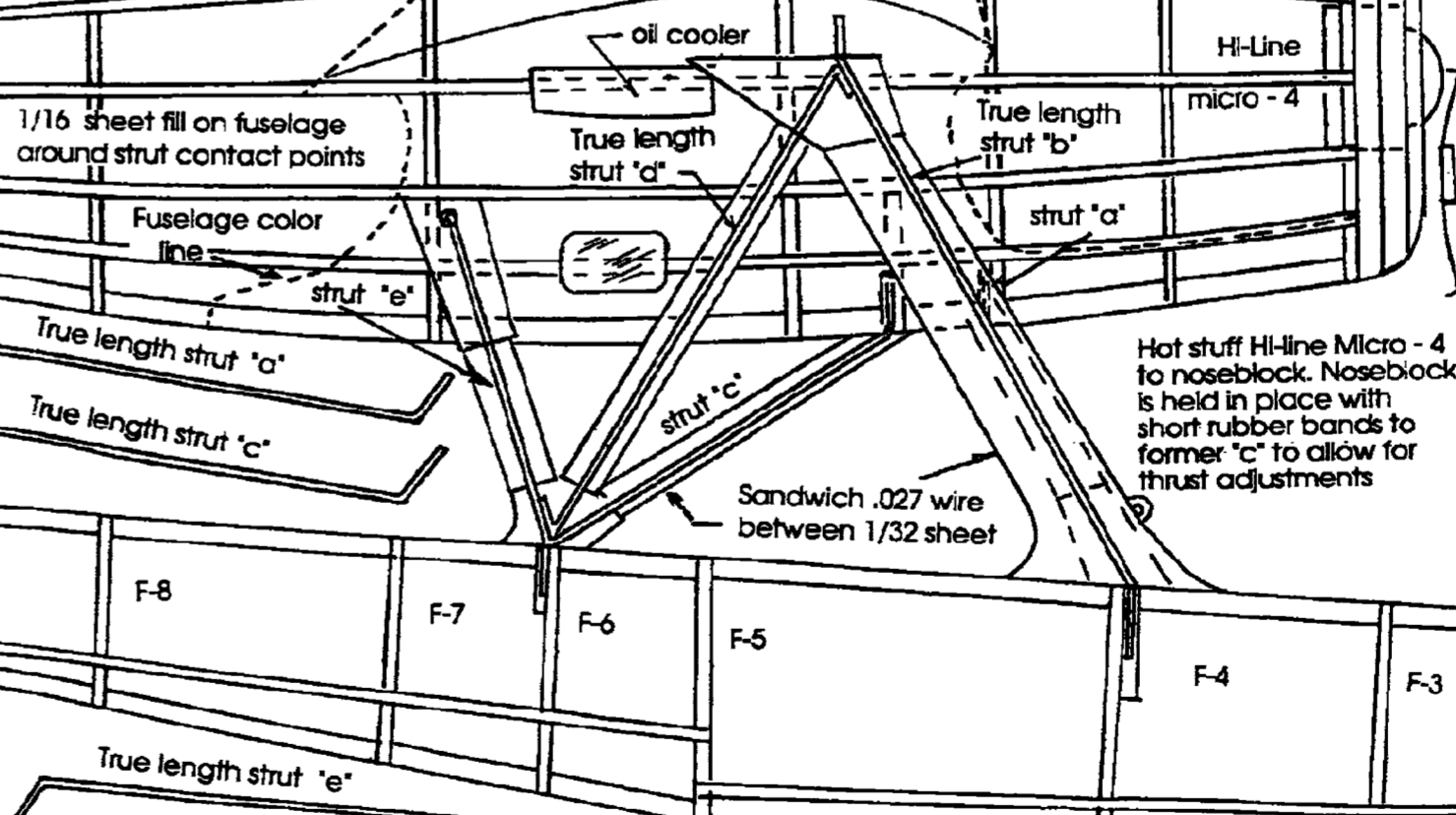
F-5 Section typical. Attachments are at F-4 & F-6

18" long very straight 1/8 sq. lightly rubber banded to bottom of some ribs on each wing allow you to 'see' that both wings have same incidence.

Float/strut details



Floats must be parallel to line of flight and at the same angle of attack or erratic flight conditions can result.



Hot stuff Hi-line Micro - 4 to noseblock. Noseblock is held in place with short rubber bands to former "c" to allow for thrust adjustments