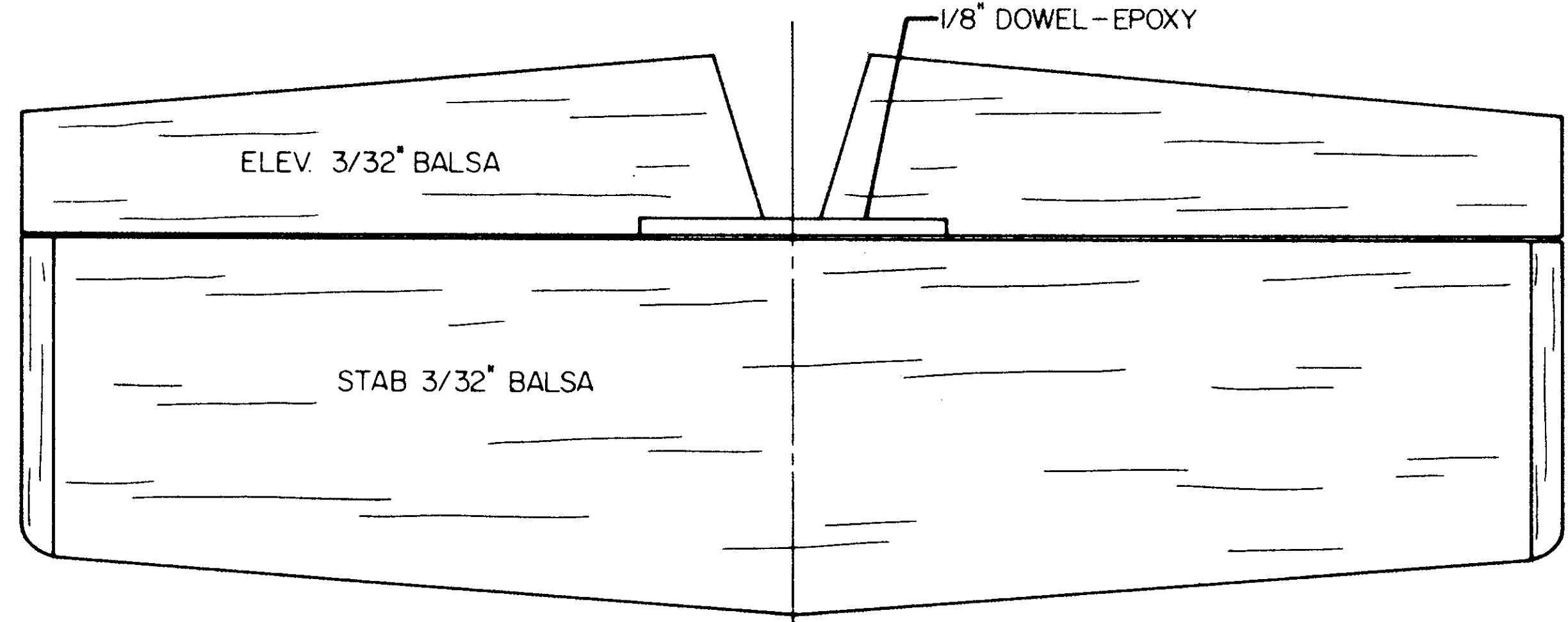
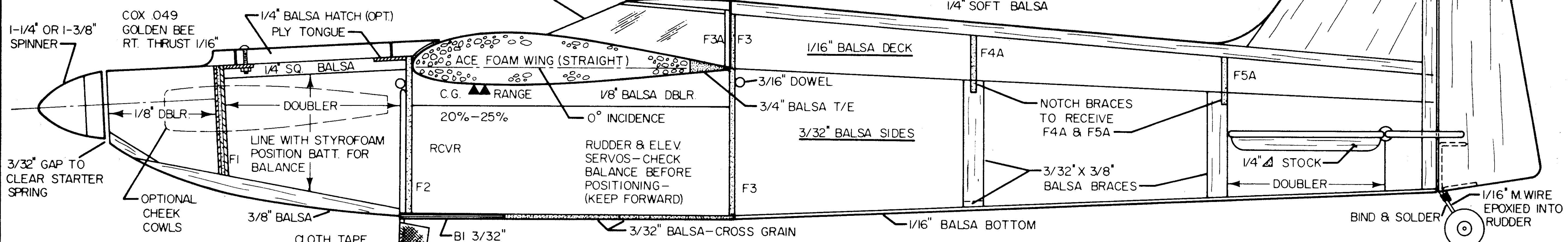
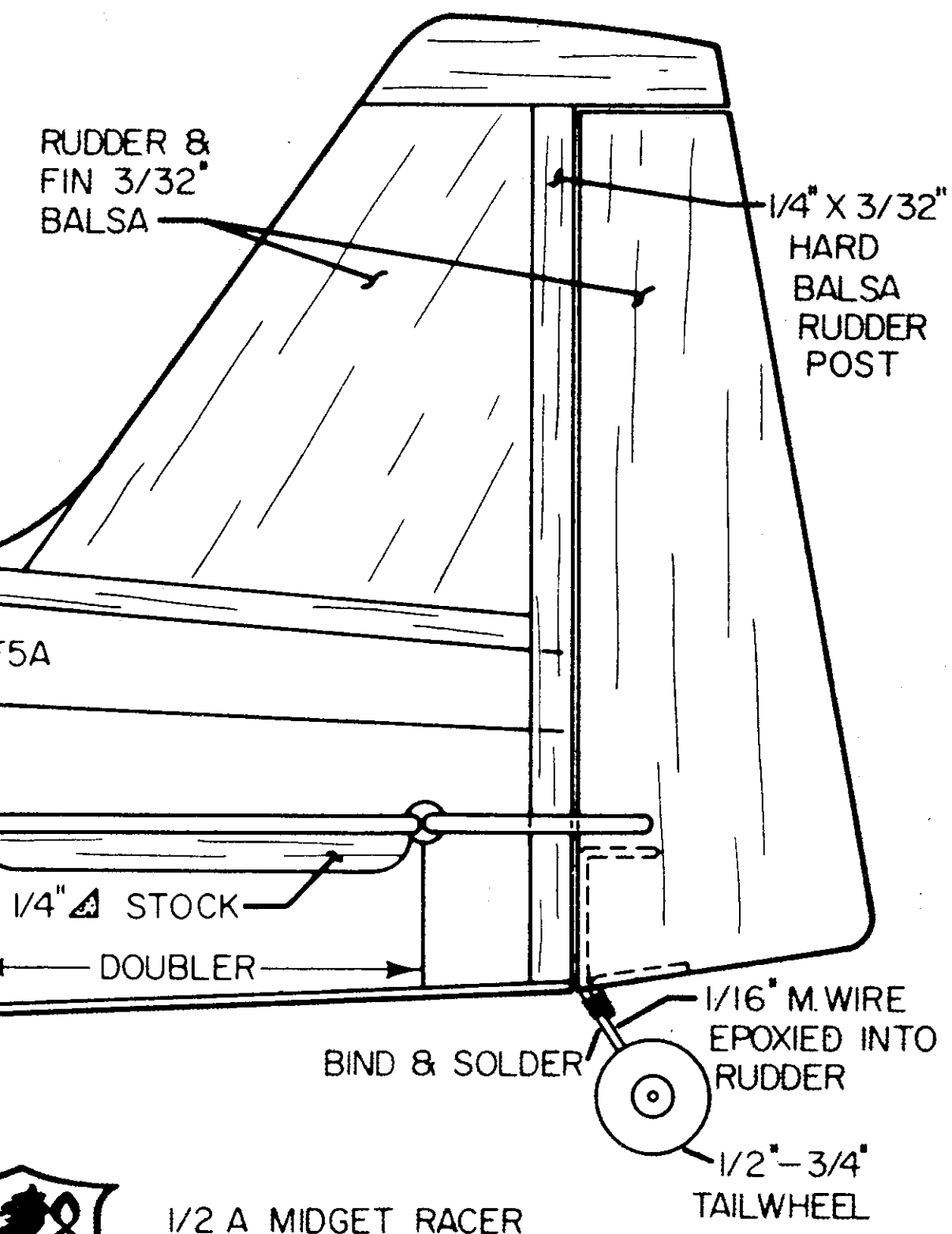
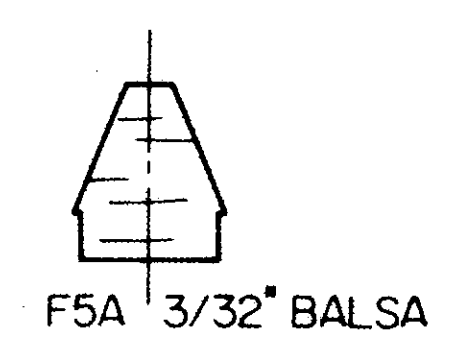
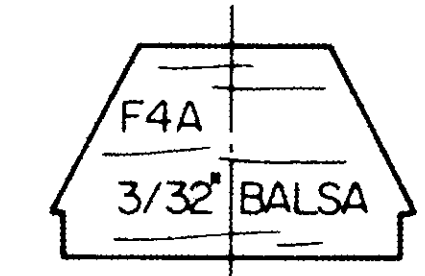
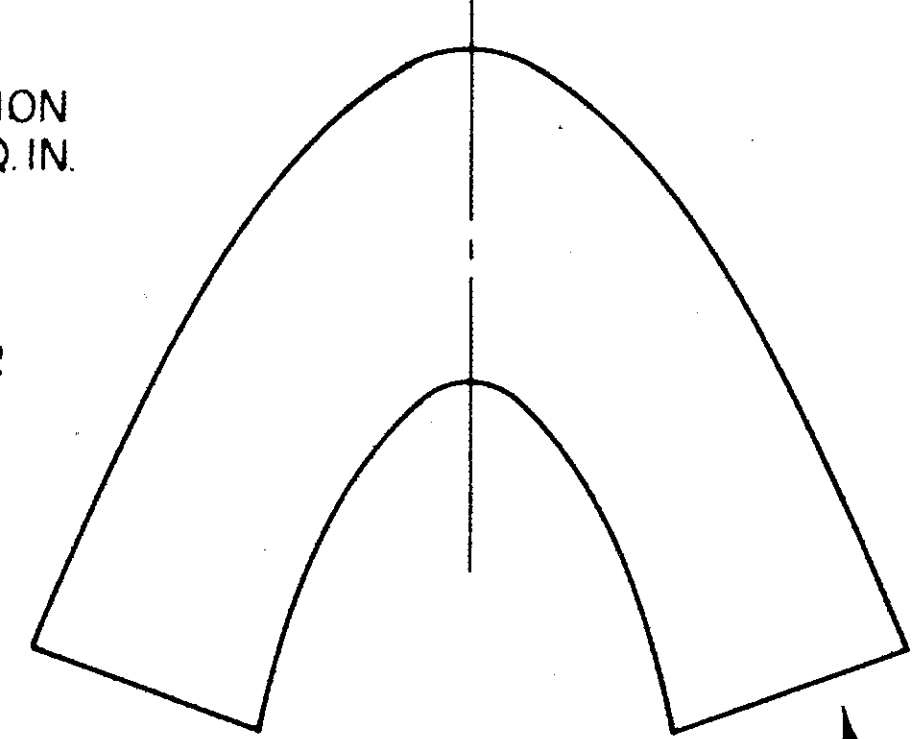
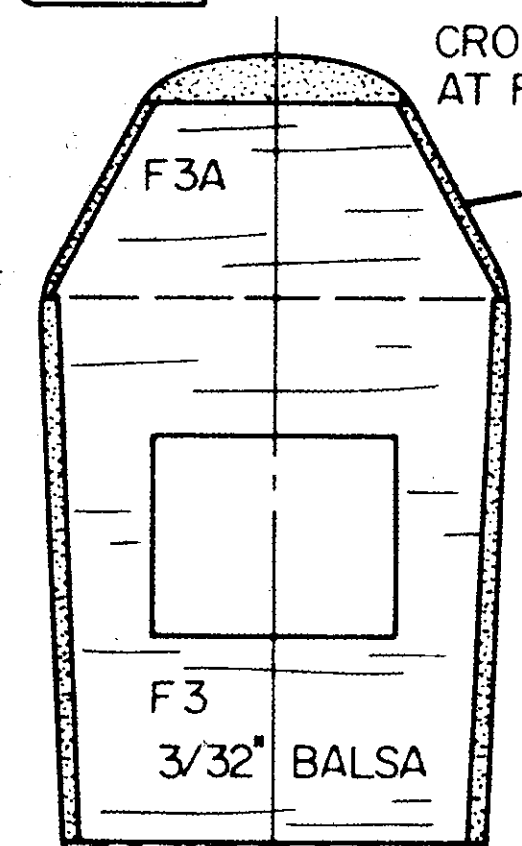
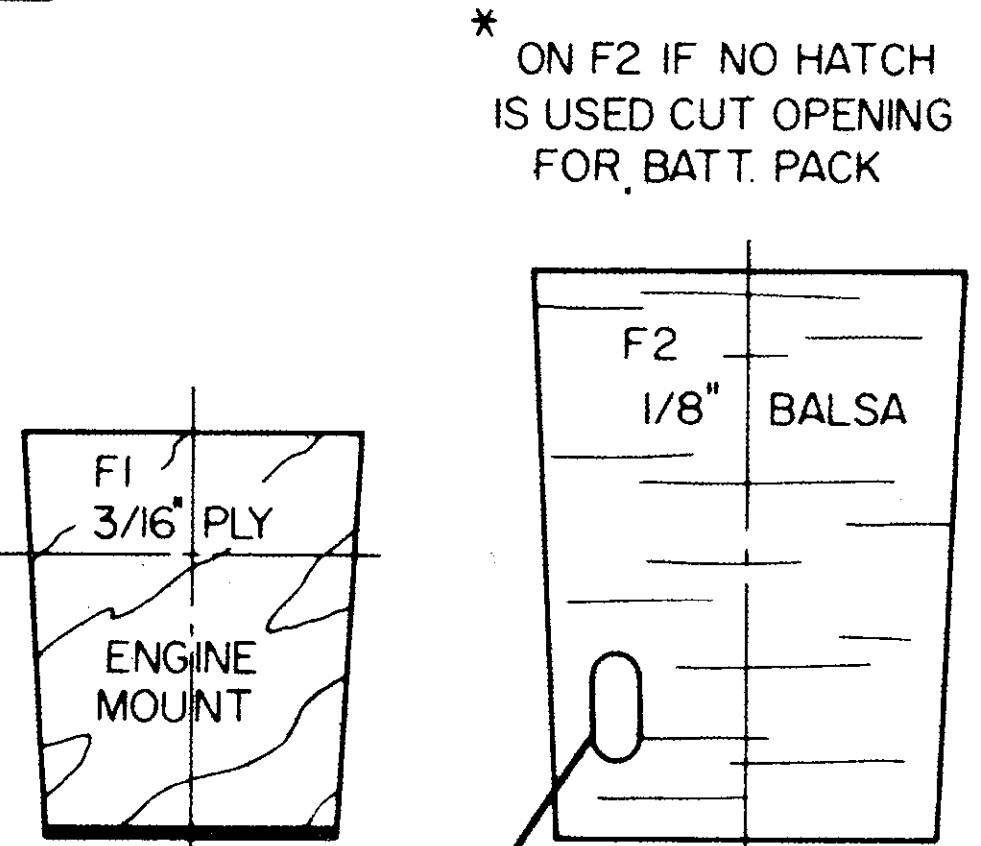


DESIGNED BY OWEN KAMPEN
 FOR ACE FOAM WING-COX
 GOLDEN BEE. WING AREA
 200 SQ. IN. - WEIGHT 22-26 OZ.
 FOR 2 CHANNEL R/C
 SPAN 34" - CHORD 6"



ALL HINGES CAN BE FIG. 8 OR MYLAR (COVER SILKSPAN OR SILK)
 USE MONOKOTE OR SOLORFILM HINGES IF COVERED WITH SAME
 (PROTOTYPE BY RCM USED SOLORFILM)



WING NOTES: CUT OFF TIPS FOR 34" SPAN
 CUT WING T/E BACK 3/16" THEN ADD 3/4"
 BALSA T/E, RECOMMENDED DIHEDRAL
 2-1/2 TO 3" TOTAL MEASURE AT T.E.
 SLASH TIPS UP 45°-60° FOR INCREASED
 ROLL RATE. 1/2" STRAPPING TAPE BOTTOM
 OF WING 1/3 BACK L.E.



1/2 A MIDGET RACER

'UPSTART'

DESIGNED & DRAWN BY OWEN KAMPEN INKED BY DICK KIDD RANDY KIDD

