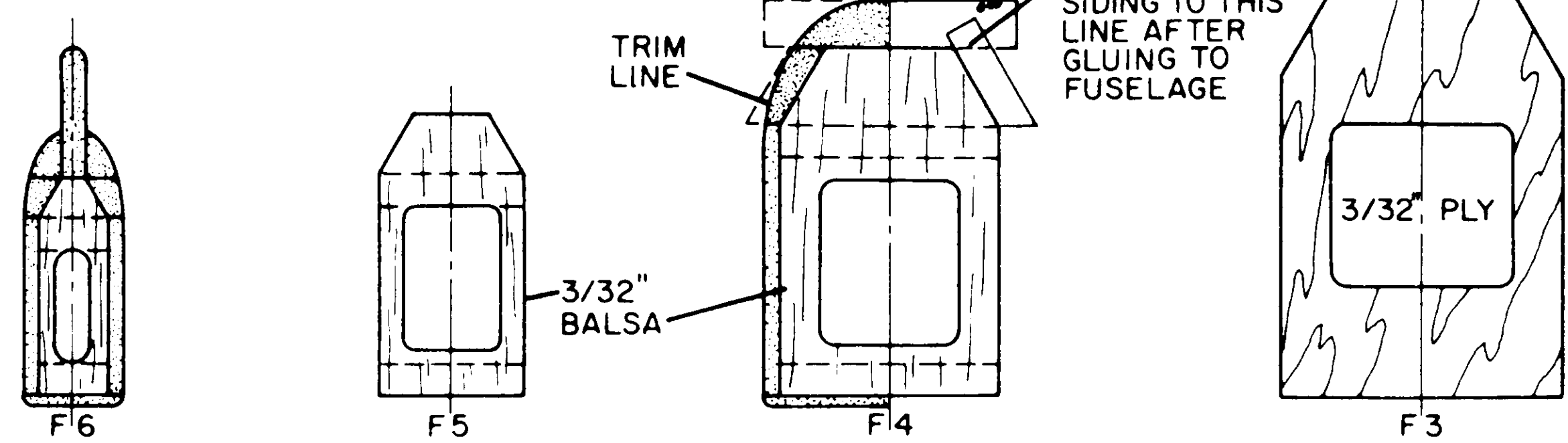


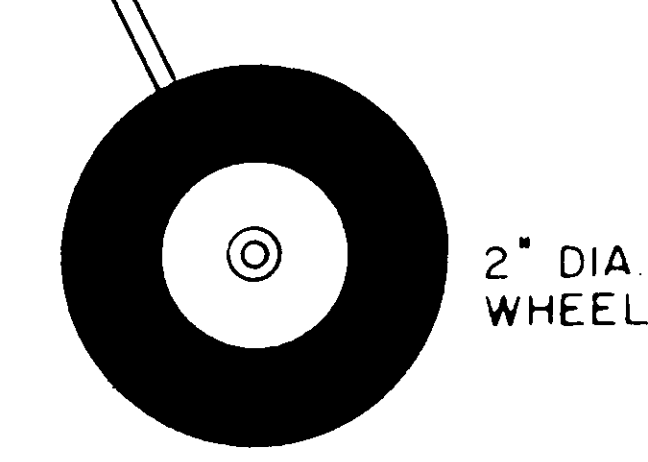
EQUIPMENT USED IN ORIGINAL

- KRAFT GOLD MEDAL SERIES
- KPS 10 SERVOS
- 225 MAH BATTERY PACK
- O.S. MAX .19 R/C
- 8" X 6" PROP
- SUPER MONOKOTE COVERING
- TATONE MOTOR MOUNT
- GOLDBERG CONTROL HORNS
- 4 OZ. SULLIVAN TANK

WING SPAN = 44-1/2"
 WING AREA = 356 SQ. IN.
 LENGTH = 37-1/2"
 WEIGHT (EMPTY TANK) = 2-1/4 LBS.



BUILD SERVO POD FROM SCRAP Balsa - SMALLER SERVOS WILL FIT WITHOUT THE POD.



BOKKIE

DESIGNED BY H ALLAN DRAWN BY DICK KIDD

0 1 2 3 4 5 6