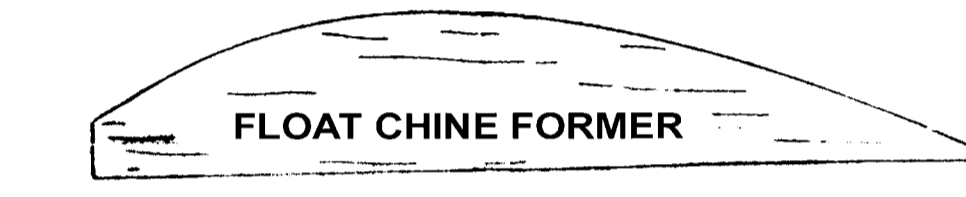
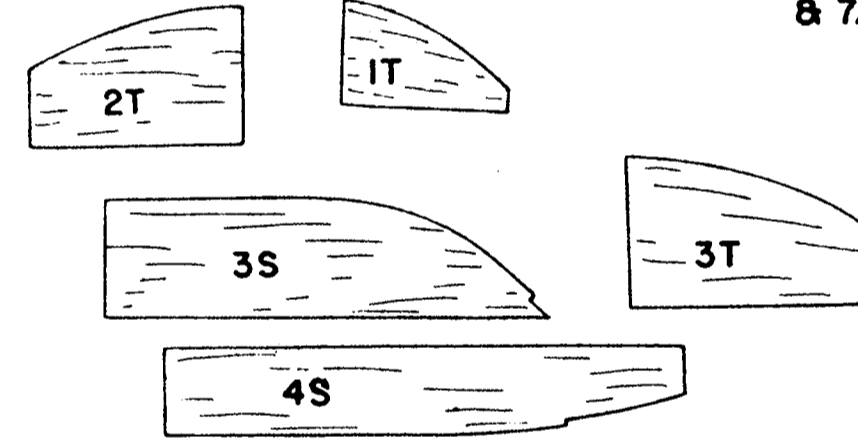
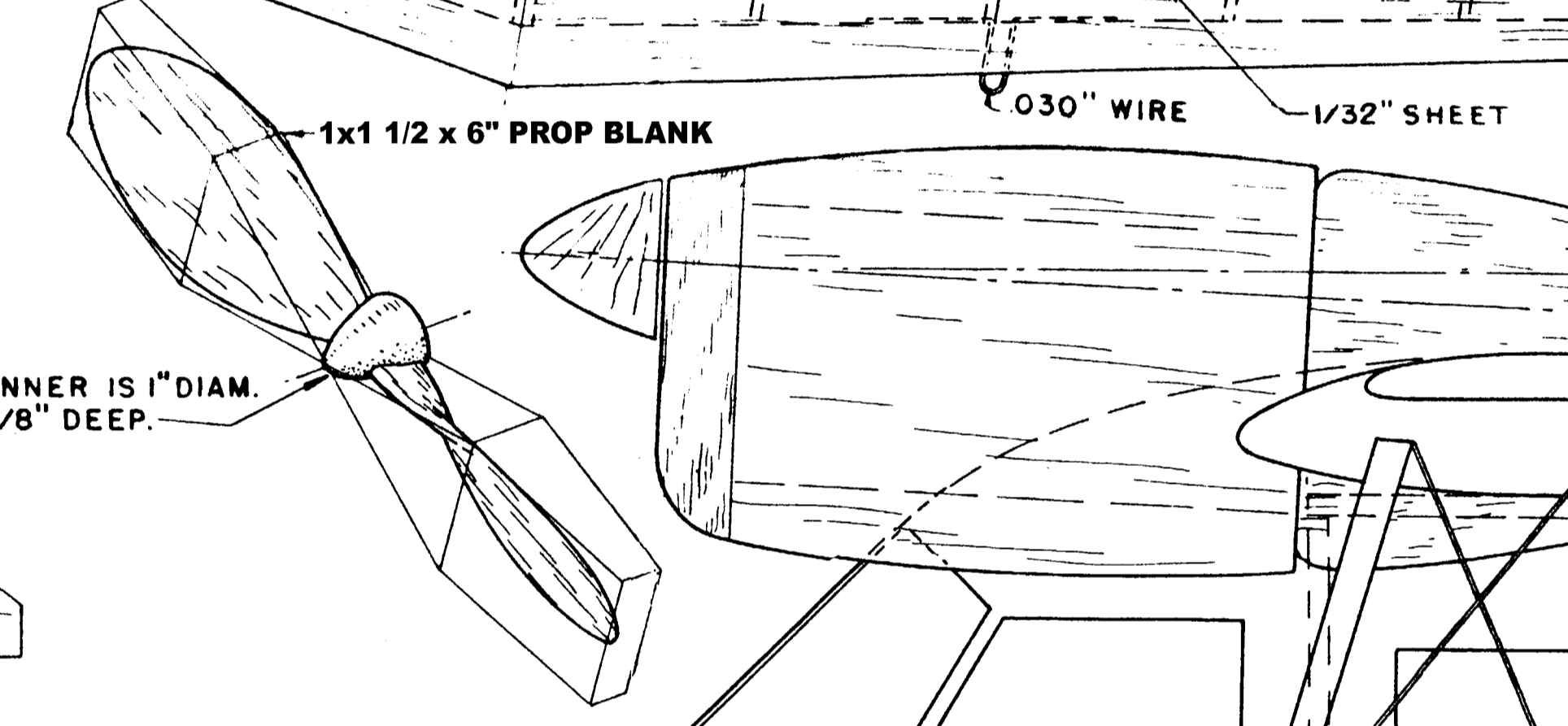
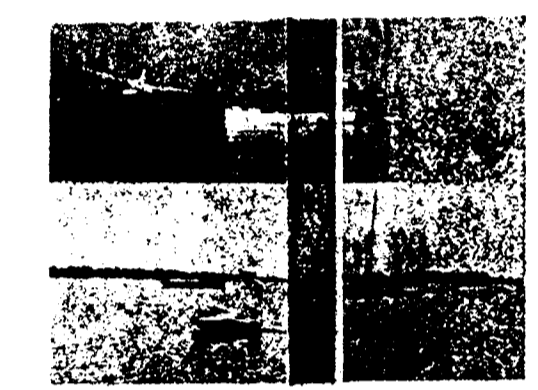
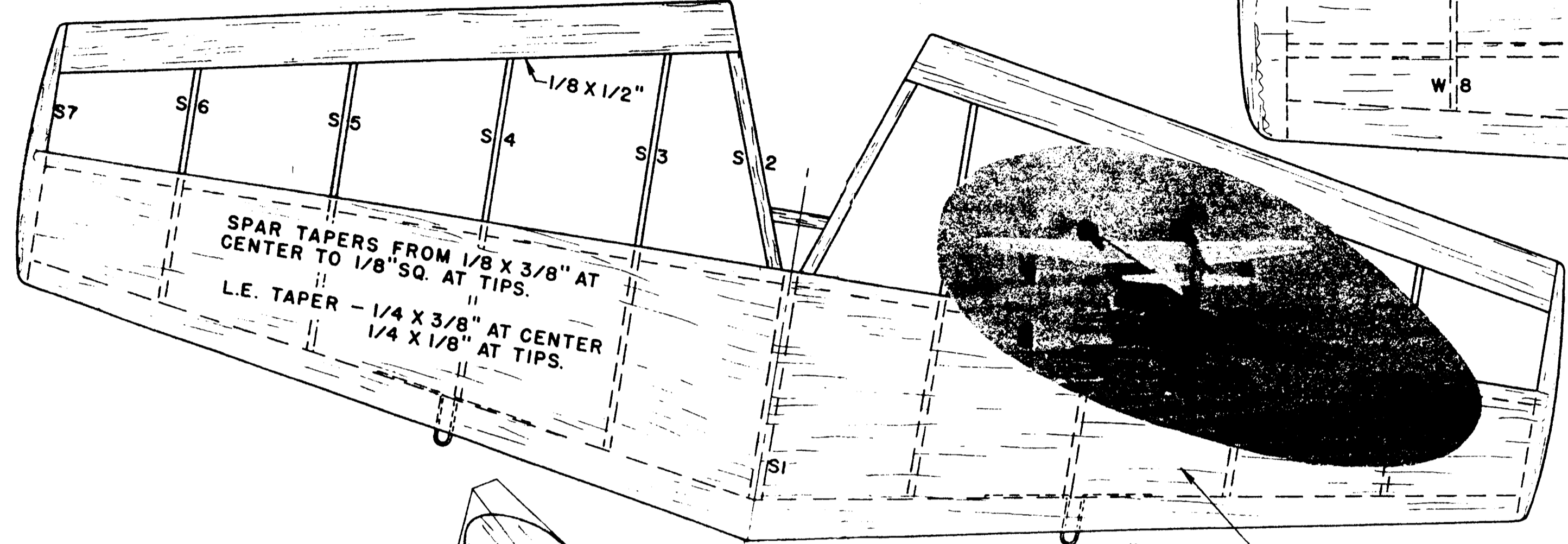
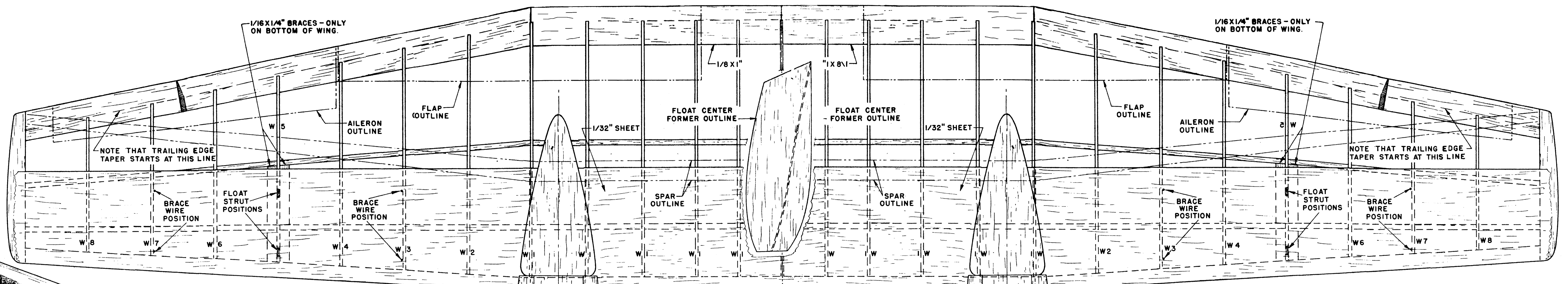


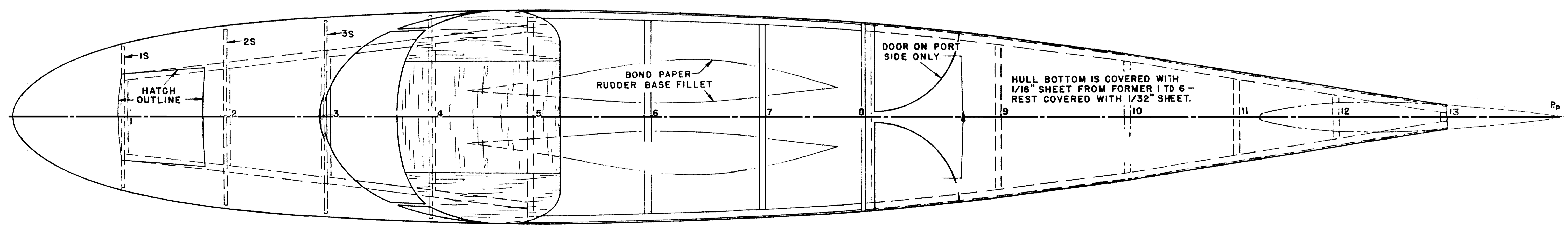
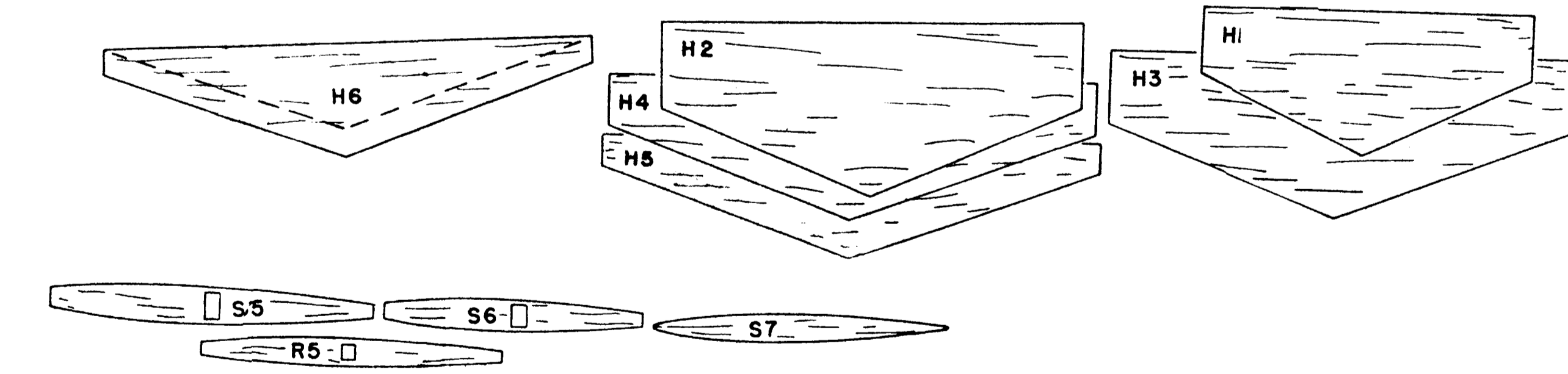
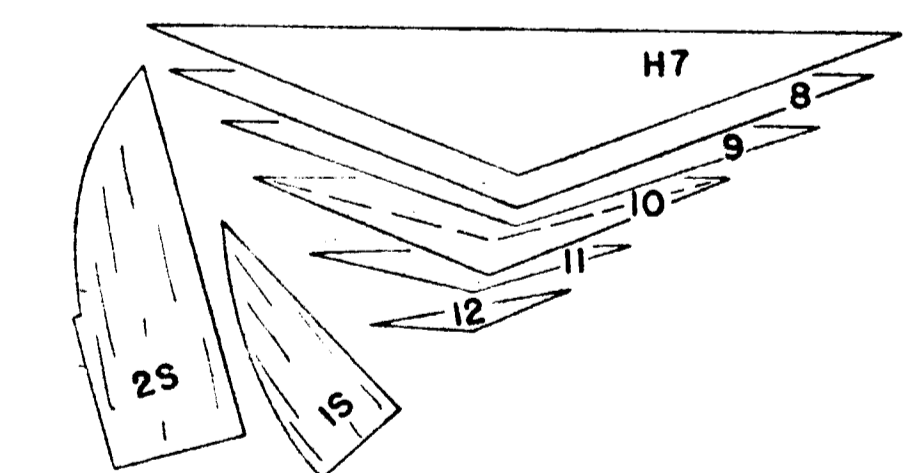
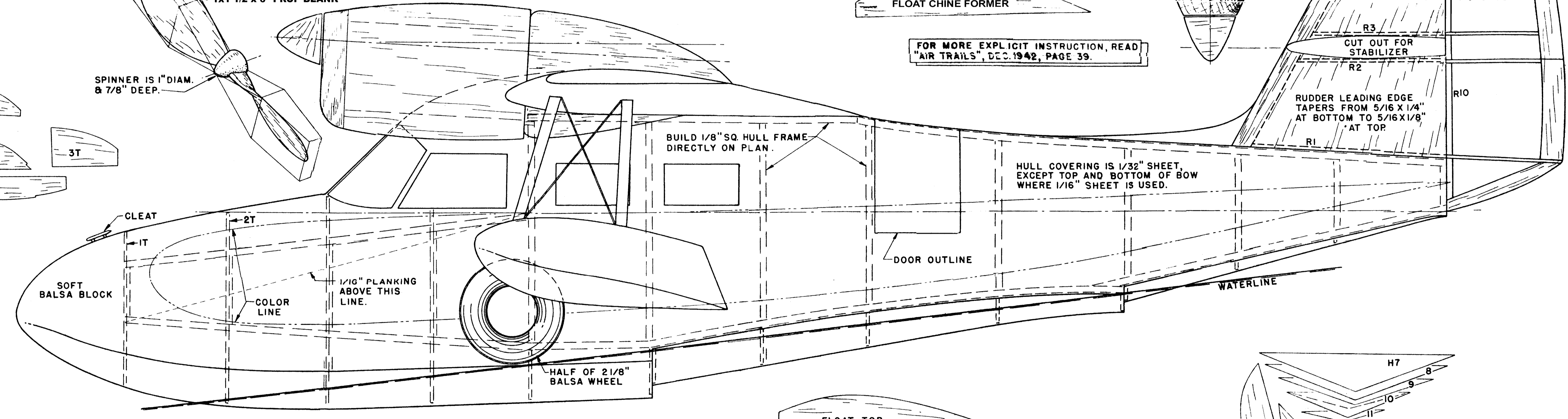
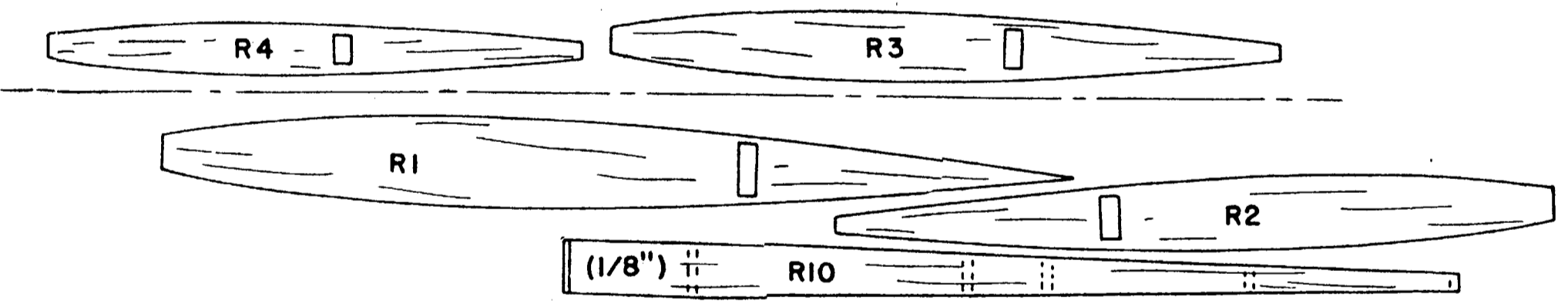
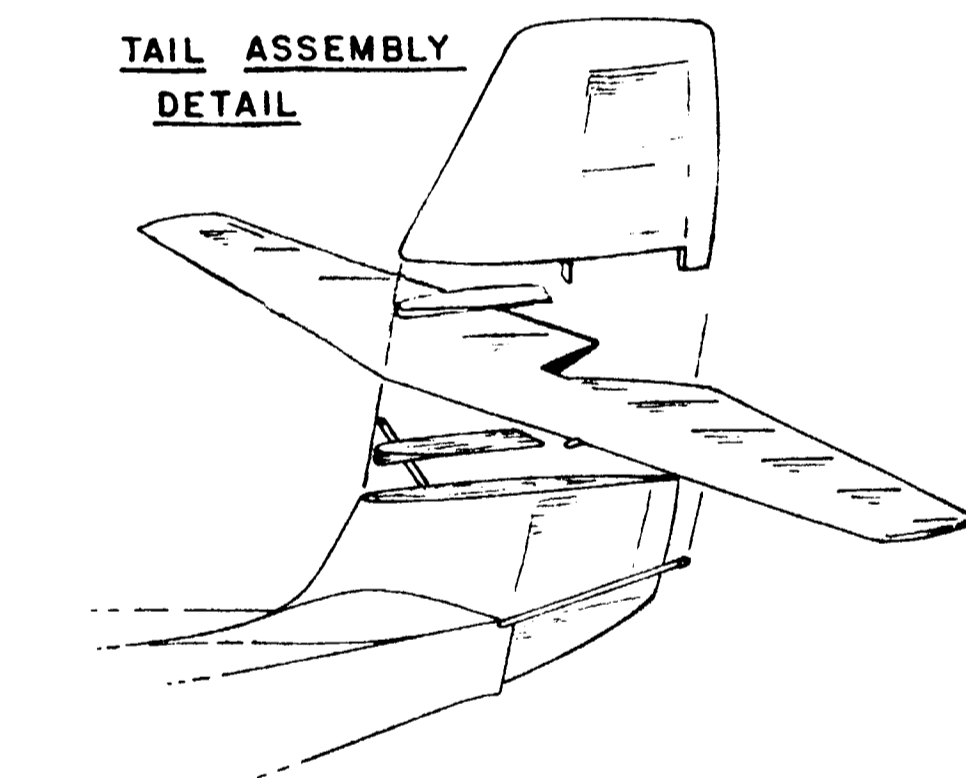
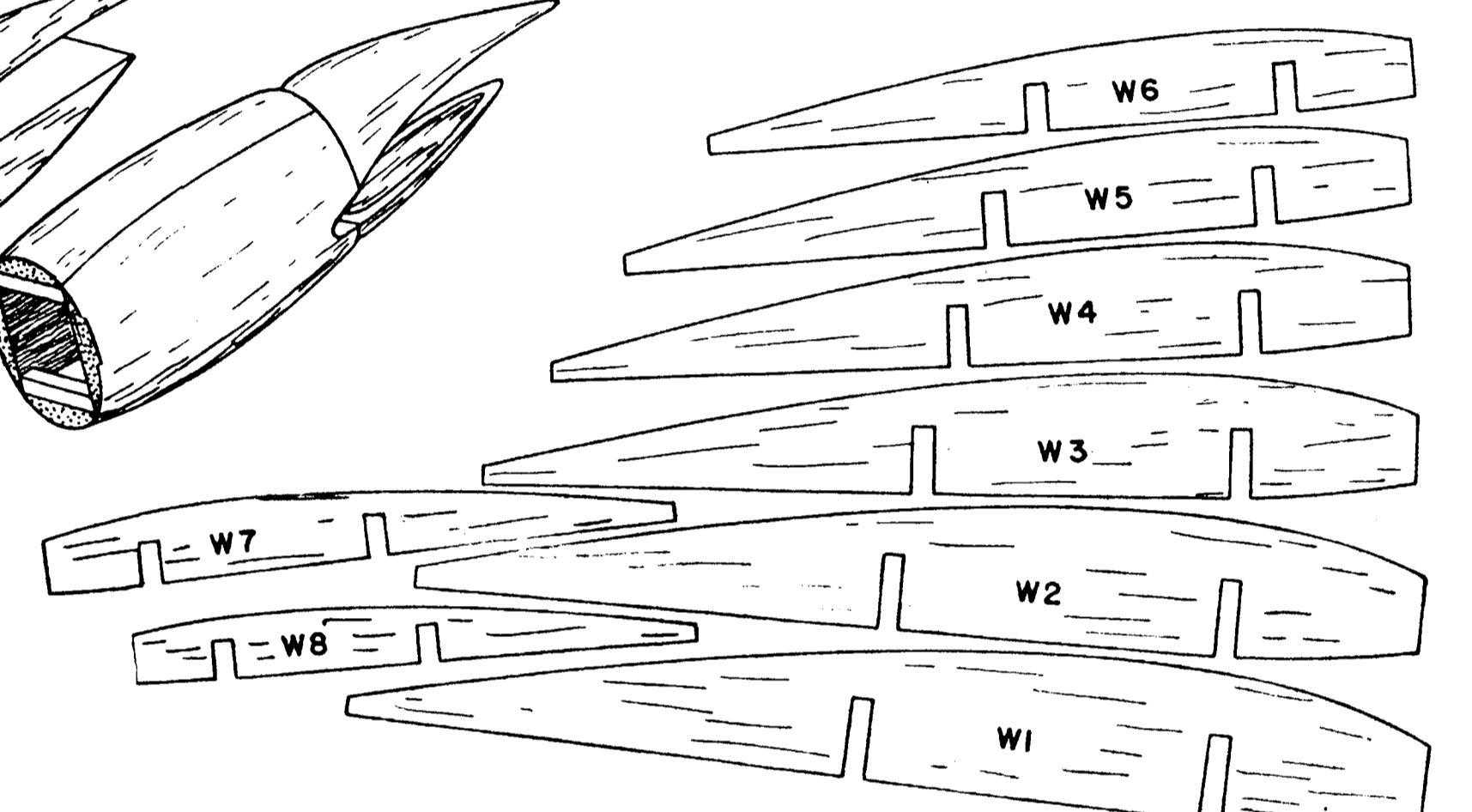
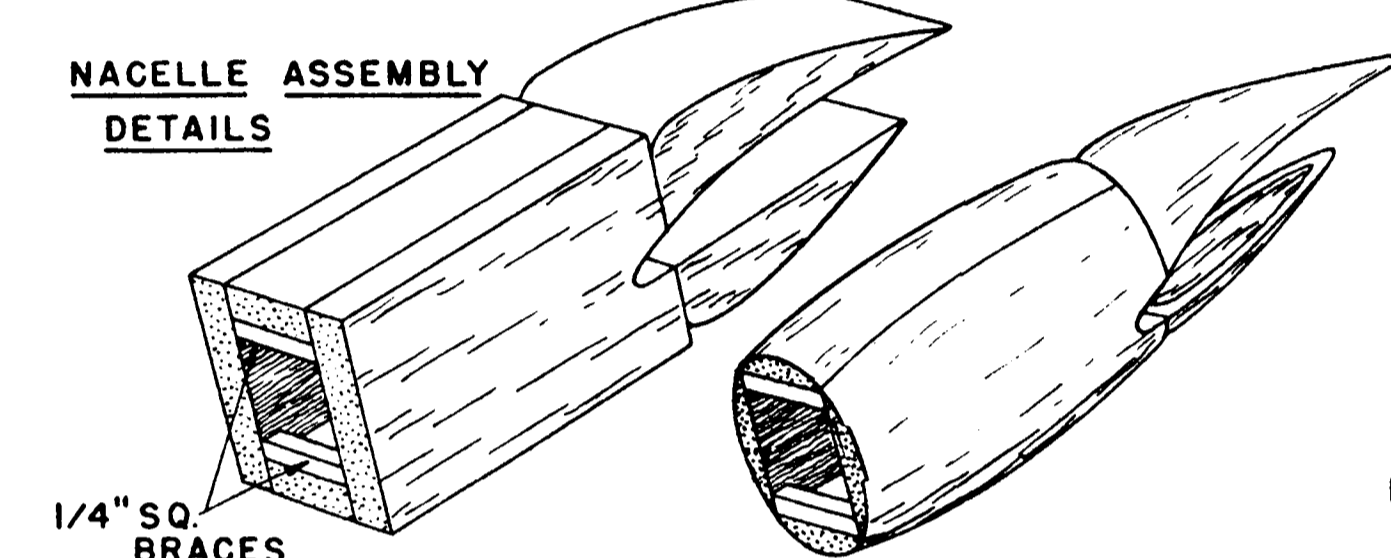
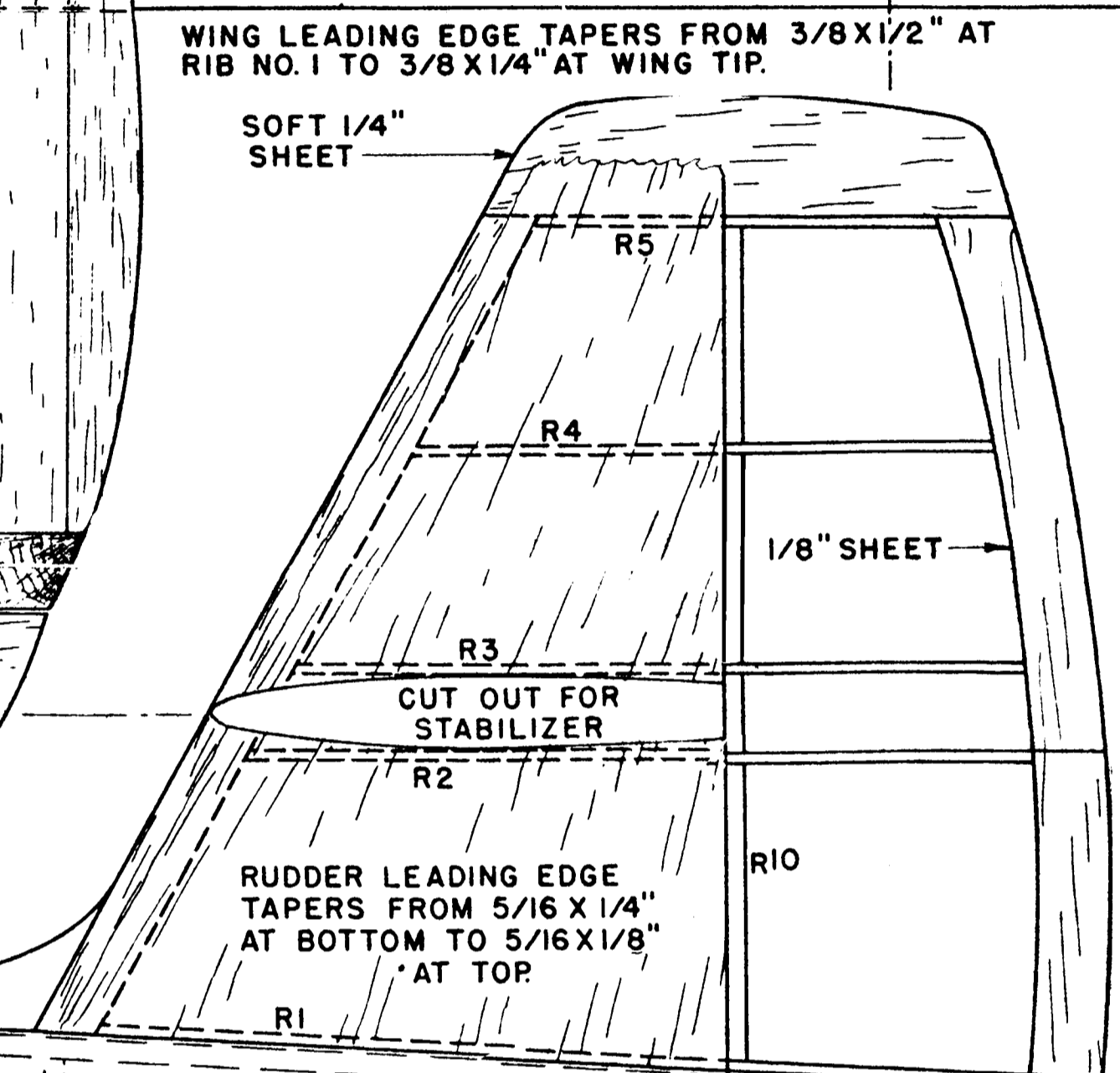
the GRUMMAN "WIDGEON"



PHOTO COURTESY OF GRUMMAN AIRCRAFT



FOR MORE EXPLICIT INSTRUCTION, READ 'AIR TRAILS', DEC. 1942, PAGE 39.



Designer : Paul Plecan
Air Trails : December 1942
Scanned and restored December 2010 pd1

PLAN NUMBER FS-504.

COPYRIGHT 1942, AIRCRAFT PLAN CO. REPRODUCTIONS BY COPYING OR TRACING ALL OR PART OF THIS DRAWING WILL BE PROSECUTED TO THE FULLEST EXTENT OF THE LAW.