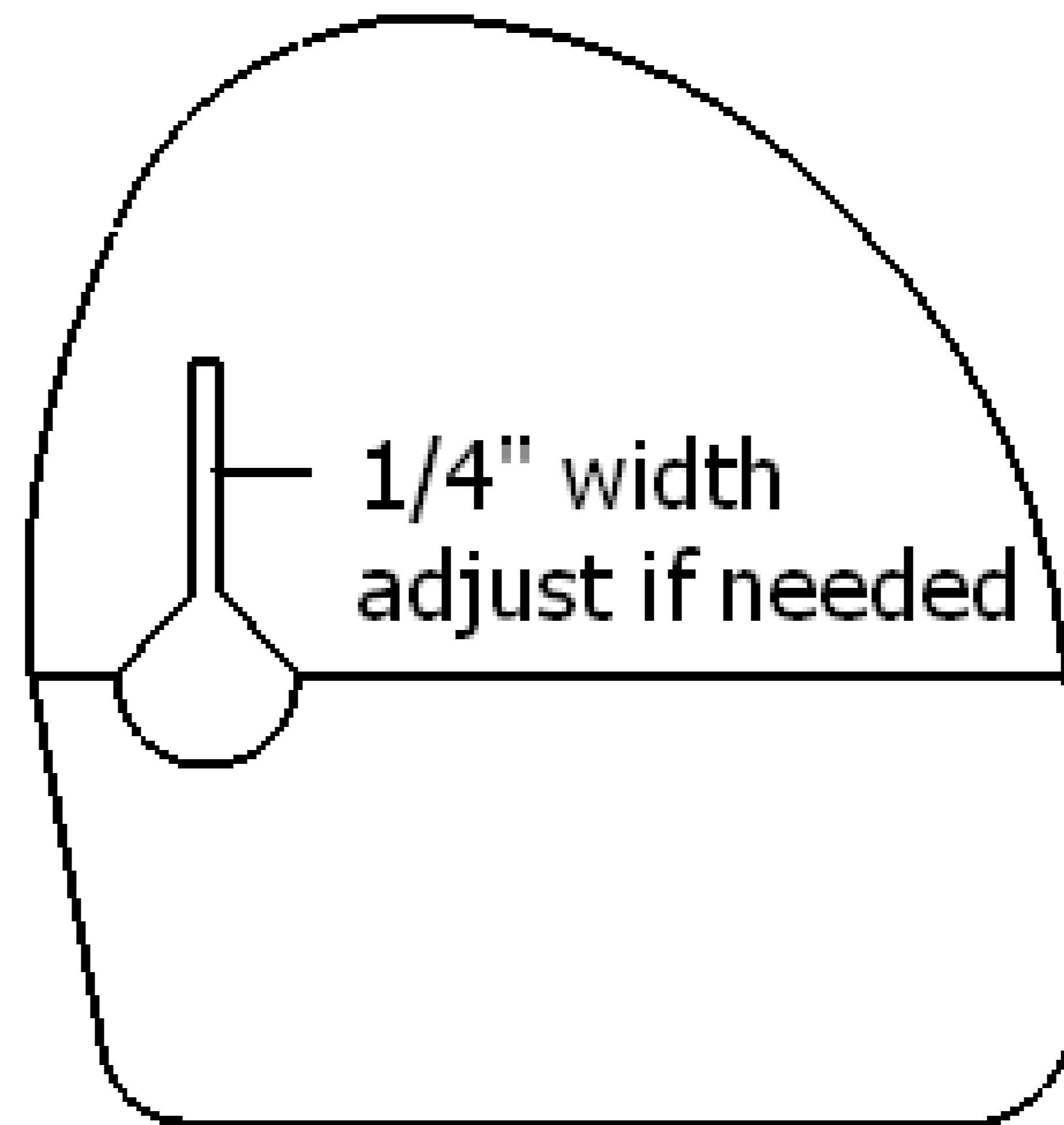
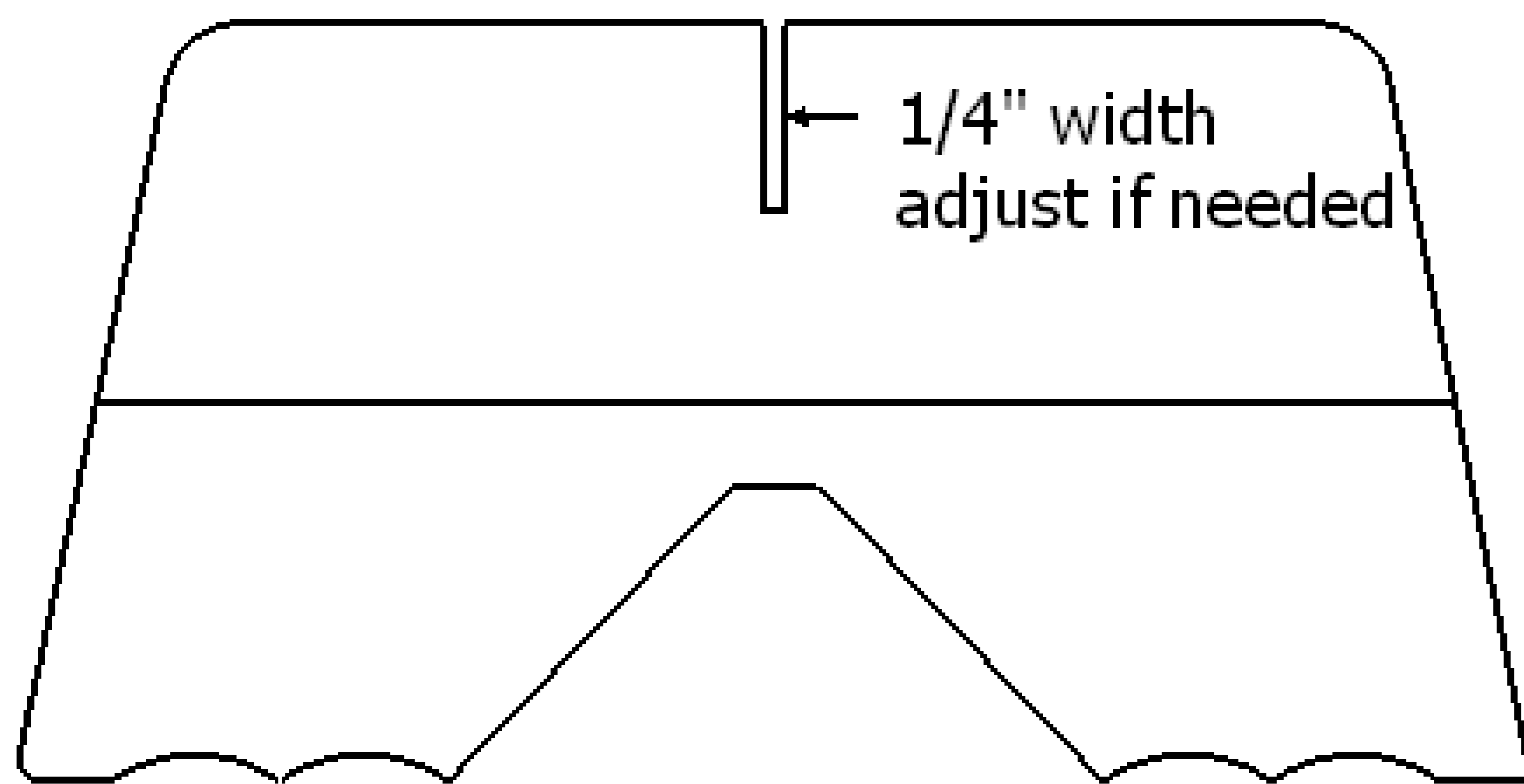
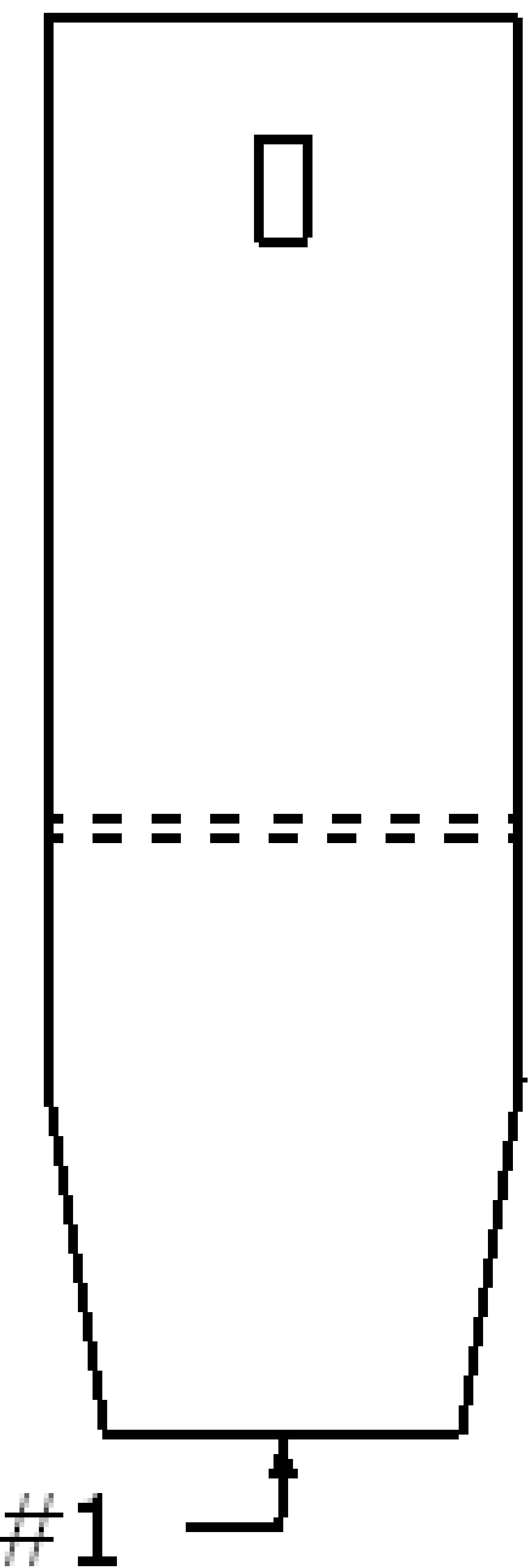
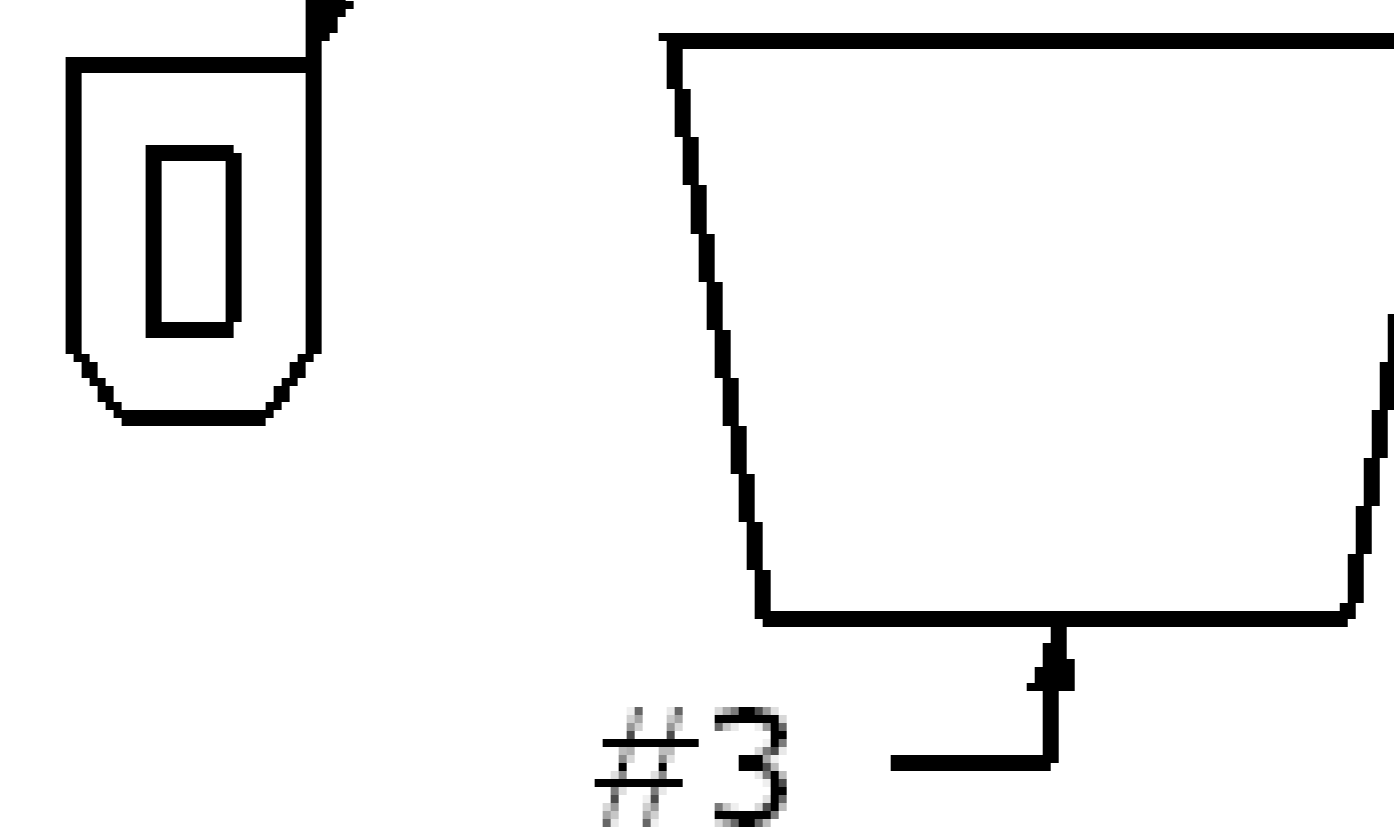


Glue parts #1,2,3 under wing



Glue on top of wing

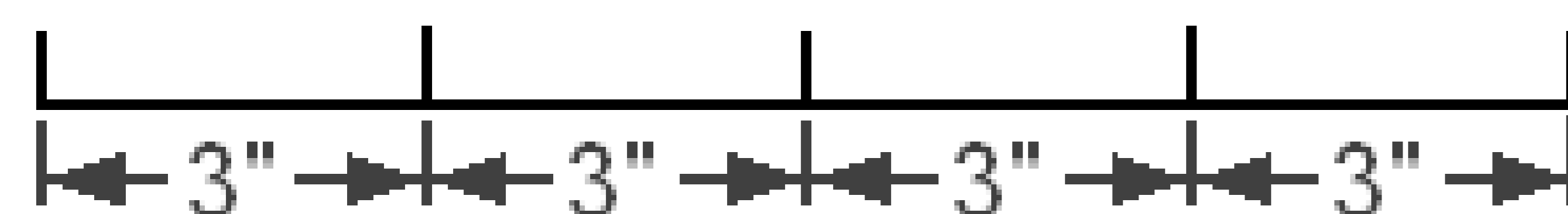


Slow Stick
Legacy

Replacement foam parts for a GWS Slow Stick.

Design & Plans by - Dalton Wilbanks

Glue parts #1,2,3 under the wing in that order.
You will need to cut part #1 to allow for CF rod.



Glue light weight reinforcement at the front & rear of the wing
to prevent the rubber bands from damaging the foam wing.

*The Slow Stick "Legacy" is for your private use only & not for commercial use or profit.

When using 2 servo's for the ailerons, mount them
under the wing & don't cut out the hole in the wing.